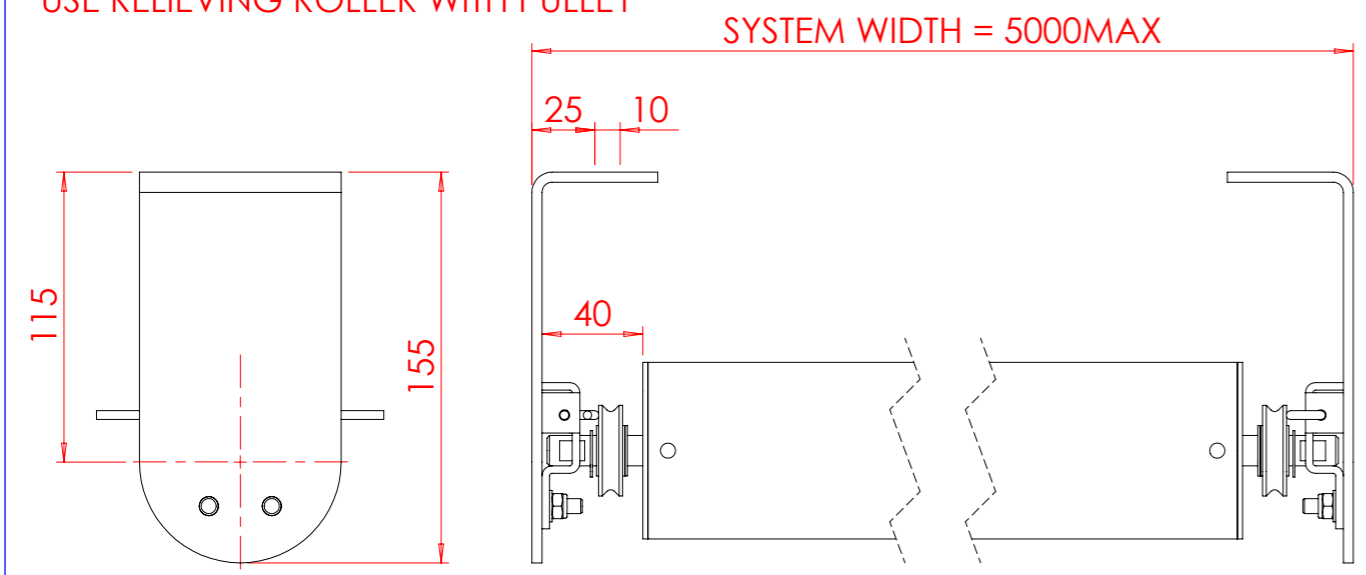
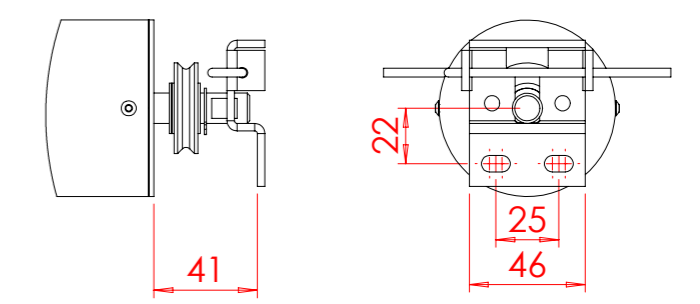


PRODUCTION	NO
PURCHASING	NO
SALES	NO
MARKETING	NO

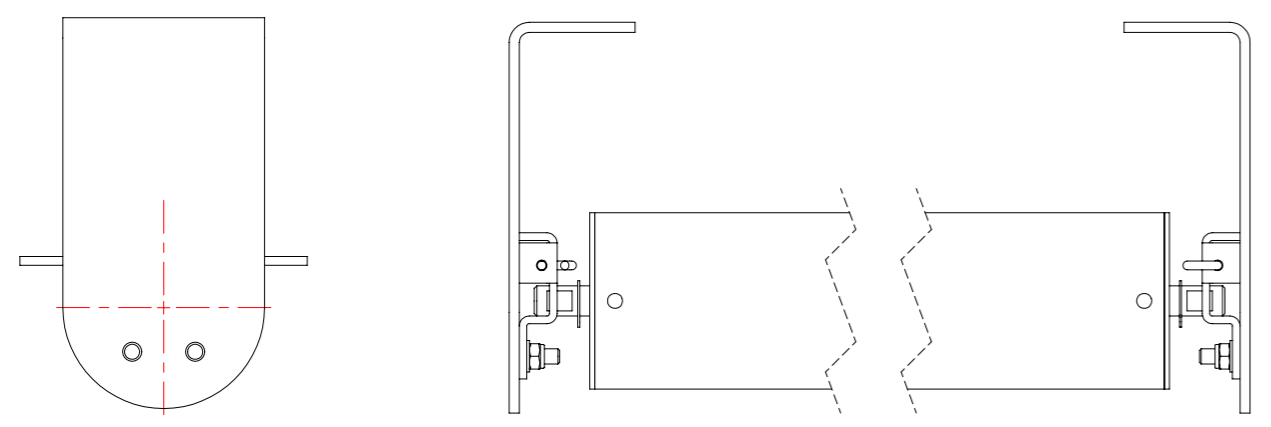
TOP FIX BRACKET
FOR CURVED TYPE SYSTEMS,
USE RELIEVING ROLLER WITH PULLEY



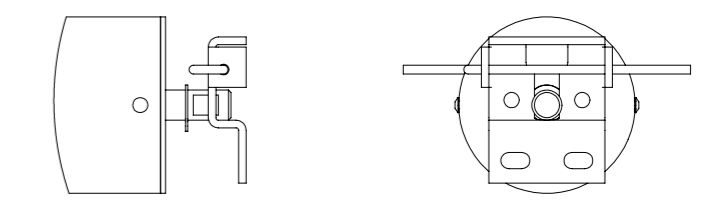
SIDE FIX BRACKET FOR PULLEY RELIEVING ROLLER



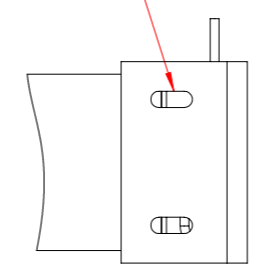
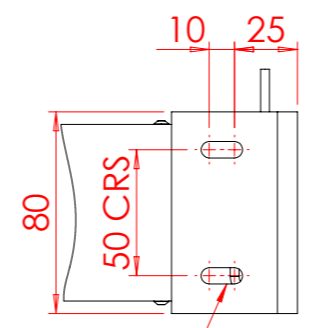
TOP FIX BRACKET
FOR HORIZONTAL TYPE SYSTEMS,
USE RELIEVING ROLLER WITHOUT PULLEY



SIDE FIX BRACKET FOR NON PULLEY RELIEVING ROLLER



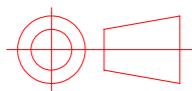
TO SUIT M6
FIXINGS
(NOT SUPPLIED)



RELIEVING ROLLER BOBBIN SHAFT MUST BE SUPPORTED BY THE RELIEVING ROLLER BRACKET

RELIEVING ROLLERS TO BE USED WHEN SYSTEM IS 3M AND ABOVE RELIEVING ROLLERS TO BE USED WITH CURVED / NON LINEAR SYSTEMS.

EVENLY SPACE RELIEVING ROLLERS ALONG HORIZONTAL SYSTEMS.

THIRD ANGLE PROJECTION 	This drawing is copyright and the exclusive property of GUTHRIE DOUGLAS GROUP LTD., and must not be copied, used or exhibited without prior written consent.			Customer		TESS SYSTEMS Ø70MM RELIEVING ROLLER INSTALLATION	Product Group		Item No.	
	REMOVE ALL SHARP EDGES IF IN DOUBT ASK DO NOT SCALE GENERAL TOLERANCES TO ISO2768-m ALL DIMNS.IN mm DRAWN TO BS308		Guthrie Douglas 12 Heathcote Way, Heathcote Industrial Estate, Warwick CV34 6TE, UK Tel : (01926) 310850 Fax : (01926) 832914		Material		Scale 1:20	Size A3	Drawn Ashley.smith	Date 02-01-2014
							DRG.NO:		GDP11216 / 03	
							SHEET 1 OF 1 SHEETS			