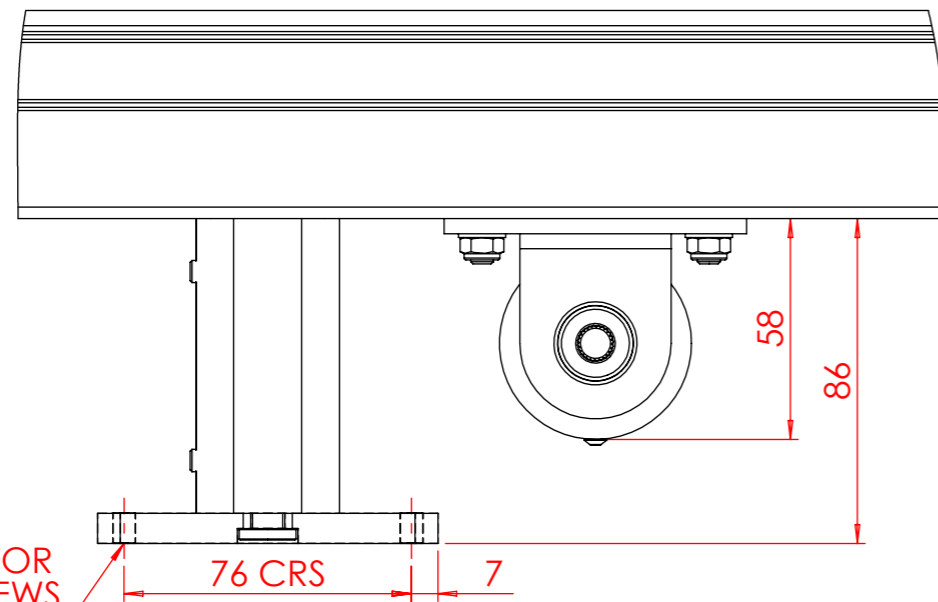
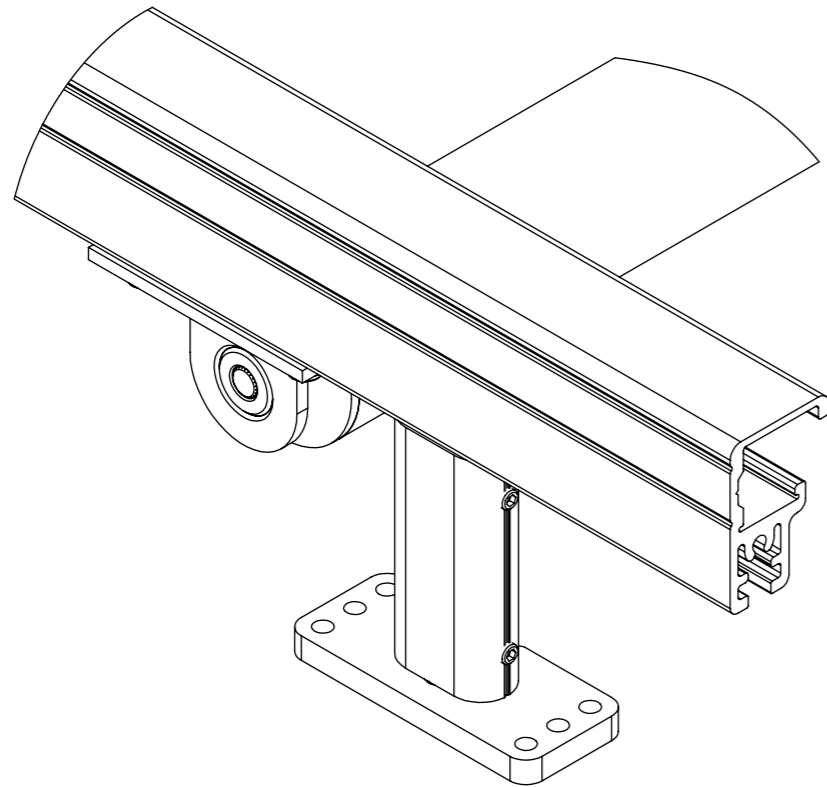
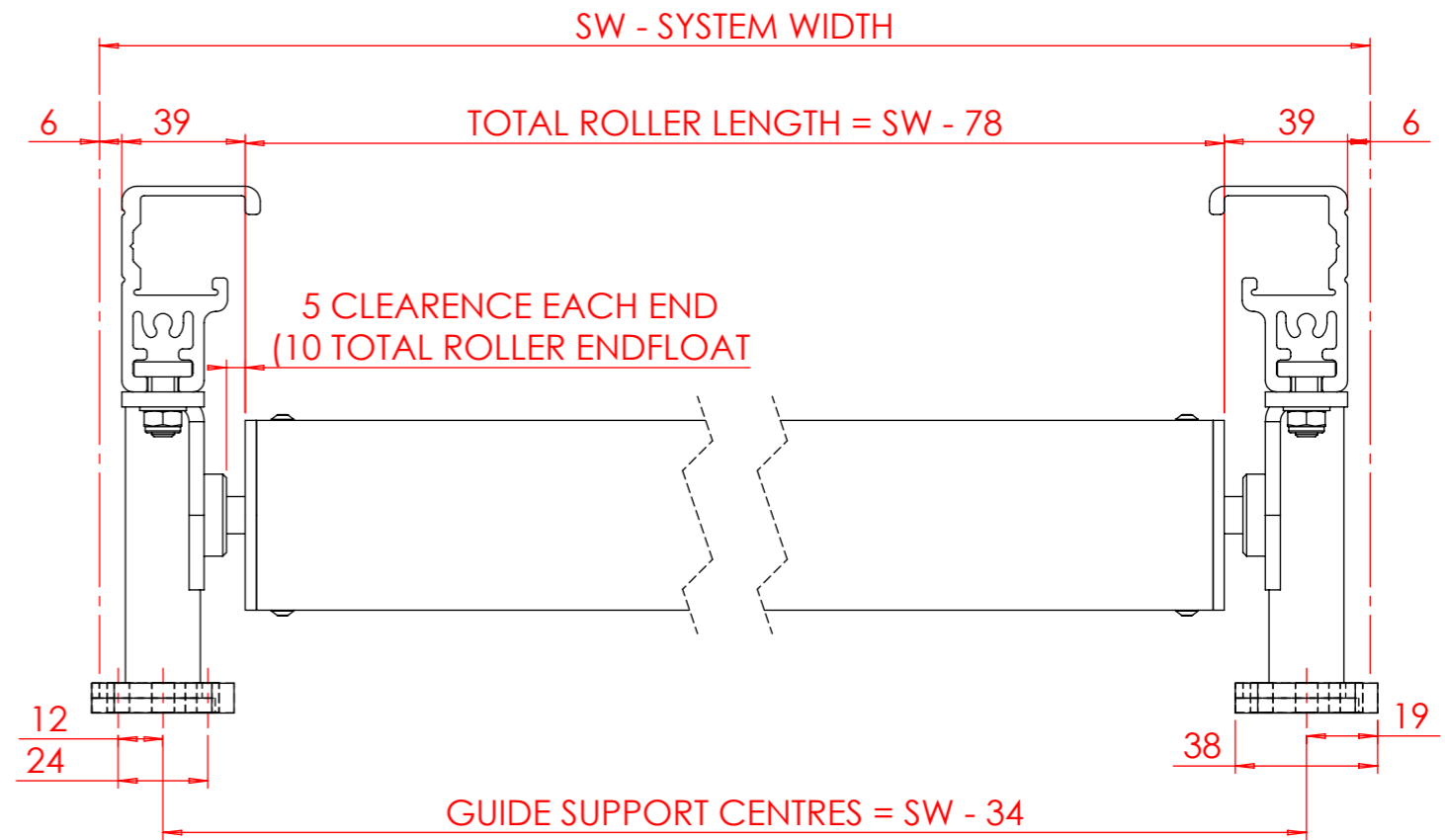
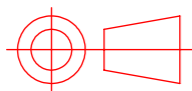


PRODUCTION	APPROVED FOR PRODUCTION
PURCHASING	APPROVED FOR PURCHASING
SALES	FOR INFORMATION ONLY
MARKETING	FOR INFORMATION ONLY



6 HOLES SUITABLE FOR M6 OR No. 12 SCREWS - NOT SUPPLIED



THIRD ANGLE PROJECTION  REMOVE ALL SHARP EDGES IF IN DOUBT ASK      DO NOT SCALE GENERAL TOLERANCES TO ISO2768-m ALL DIMNS.IN mm      DRAWN TO BS308	This drawing is copyright and the exclusive property of GUTHRIE DOUGLAS GROUP LTD., and must not be copied, used or exhibited without prior written consent.		Customer		T420	Product Group		Item No.
	<b>Guthrie Douglas</b> 12 Heathcote Way, Heathcote Industrial Estate, Warwick CV34 6TE, UK Tel : (01926) 310850 Fax : (01926) 832914		Material	Scale 1:2		Size A3	<b>SOLAR</b> Drawn: ashley.smith      Date: 22-09-2015      Checked: ashley.smith      Date: 01-10-2015	
		Surface Finish	Special		RELIEVING ROLLER INSTALLATION			