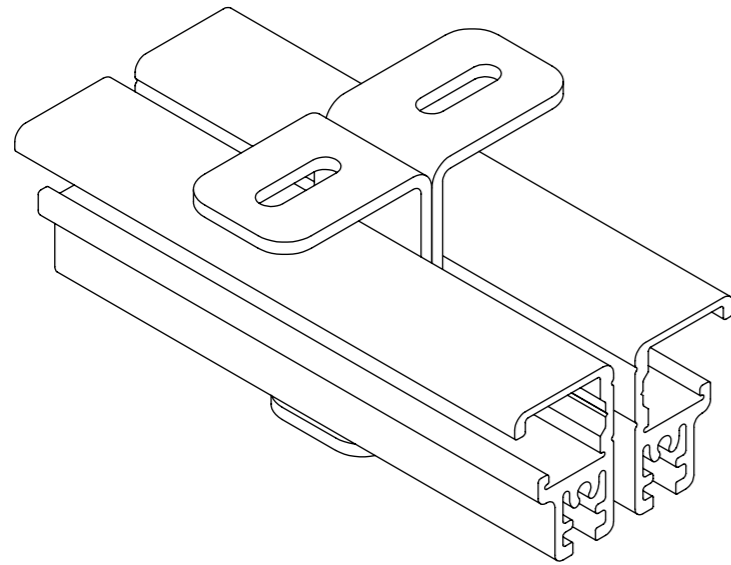
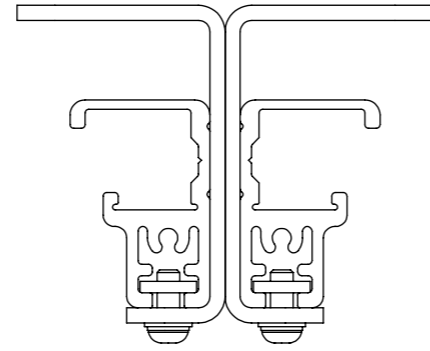


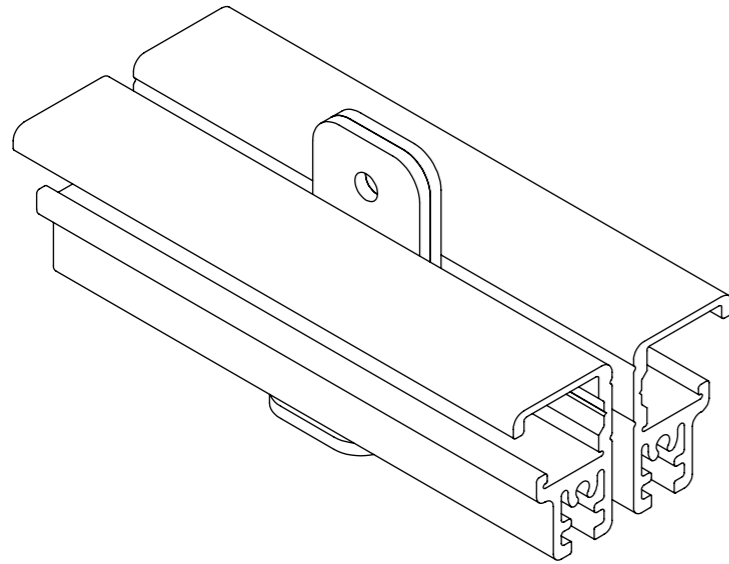
PRODUCTION	APPROVED FOR PRODUCTION
PURCHASING	APPROVED FOR PURCHASING
SALES	NO
MARKETING	NO



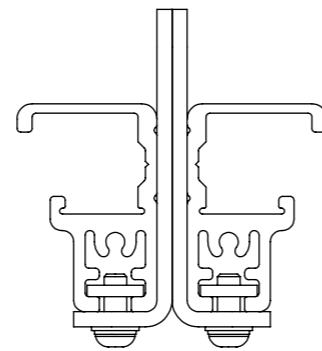
TOP FIXING SIDEGUIDE MOUNTING BRACKETS



SYSTEMS USING TOPFIXING SIDEGUIDE MOUNTING BRACKETS MAY BE INSTALLED BACK-TO-BACK WITH NO SPECIAL PARTS NEEDED.

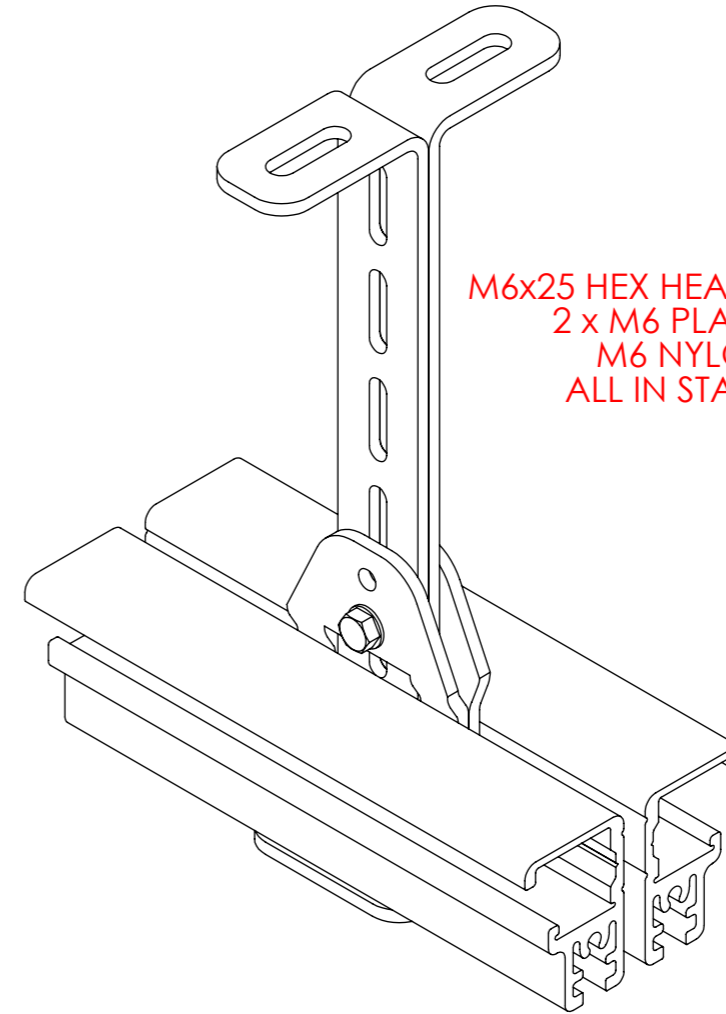


SIDE FIXING SIDEGUIDE MOUNTING BRACKETS

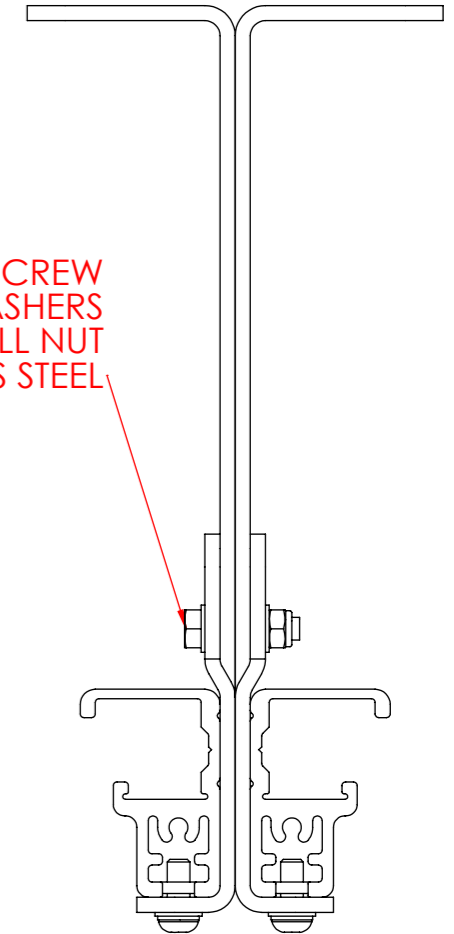


SYSTEMS USING SIDE FIXING SIDEGUIDE MOUNTING BRACKETS MAY BE INSTALLED BACK-TO-BACK WITH NO SPECIAL PARTS NEEDED.

LONG TOP FIXING SIDEGUIDE MOUNTING BRACKETS

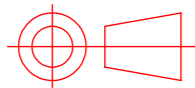


M6x25 HEX HEAD SETSCREW
2 x M6 PLAIN WASHERS
M6 NYLOC FULL NUT
ALL IN STAINLESS STEEL



SYSTEMS USING LONG TOP FIXING SIDEGUIDE MOUNTING BRACKETS MAY BE MOUNTED BACK-TO-BACK BY FITTING A SINGLE M6 x 25 SETSCREW WHICH PASSES THROUGH BOTH SETS OF BRACKETS.

THIRD ANGLE PROJECTION



This drawing is copyright and the exclusive property of GUTHRIE DOUGLAS LTD., and must not be copied, used or exhibited without prior written consent.

Guthrie Douglas

12 Heathcote Way, Heathcote Ind. Est;
Warwick, CV34 6TE, England.
Tel:(01926)452452 Fax:(01926)336417

Customer

STANDARD

Material

Surface Finish

Scale

1:2

Size

A3

Special

NEW TESS 120

BACK TO BACK INSTALLATION

Product Group

SOLAR

Drawn

Geoff.Smith

Date

18-08-2009

Checked

Geoff.Smith

Date

08-02-2010

DRG.NO:

GDP23042

/ 01

SHEET 1 OF 1 SHEETS

REMOVE ALL SHARP EDGES

IF IN DOUBT ASK

DO NOT SCALE

GENERAL TOLERANCES TO ISO2768-m

ALL DIMNS.IN mm

DRAWN TO BS308