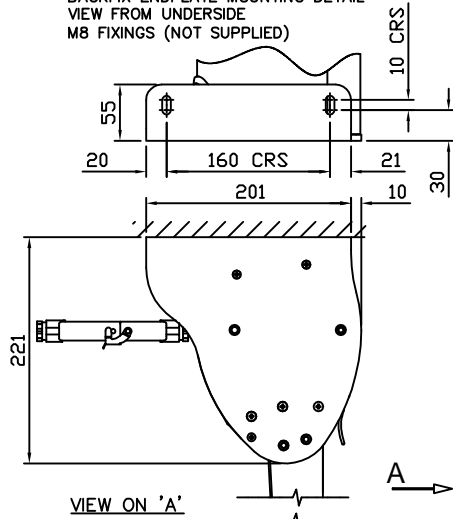


PRODUCTION	No
PURCHASING	No
SALES	FOR INFORMATION ONLY
TECH SERVICES	FOR INFORMATION ONLY

BACKFIX ENDPLATE MOUNTING DETAIL
VIEW FROM UNDERSIDE
M8 FIXINGS (NOT SUPPLIED)



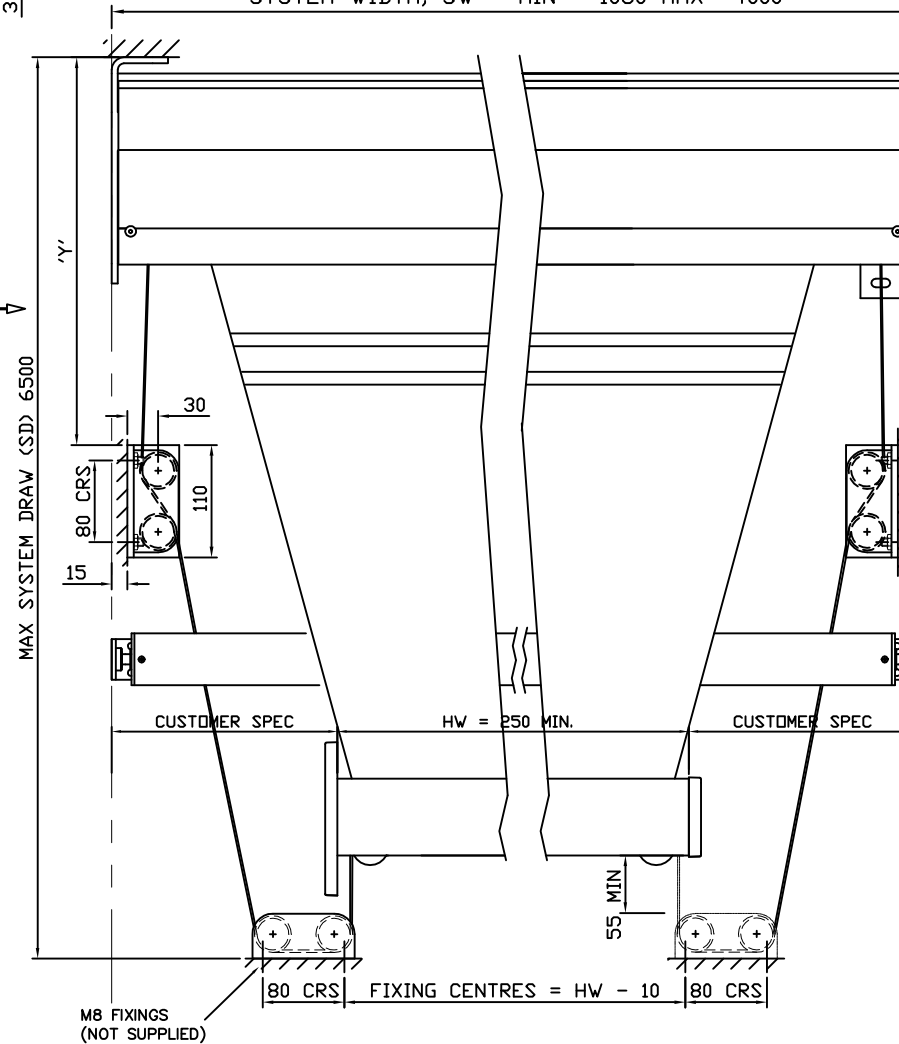
VIEW ON 'A'

SYSTEM MOUNTING

TWO TYPES OF SYSTEM MOUNTING ARE AVAILABLE – BACKFIX OR BOTTOM FIX.

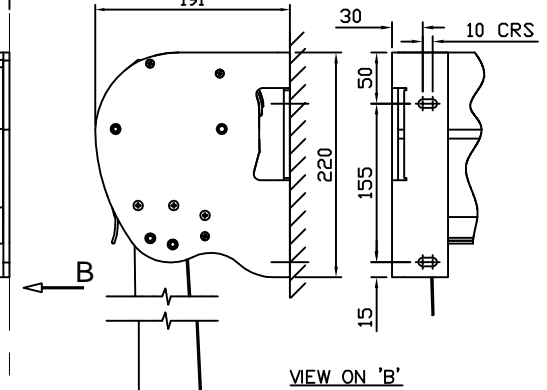
MOUNTING METHODS MAY NOT NORMALLY BE COMBINED FROM SIDE TO SIDE WITHIN A SYSTEM
– MIXED SYSTEM ENDPLATE TYPES ON DRAWING ARE FOR ILLUSTRATION ONLY.

SYSTEM WIDTH, SW MIN = 1080 MAX = 4000



BOTTOM FIX HEADBOX

BOTTOM FIX ENDPLATE MOUNTING DETAIL
VIEW FROM UNDERSIDE
M8 FIXINGS (NOT SUPPLIED)



VIEW ON 'B'

M6 FIXINGS (NOT SUPPLIED)

NOTES:

1. WHEN D IS OVER 3000 A RELIEVING ROLLER (T11041) IS TO BE INSTALLED AT MID DISTANCE AS SHOWN ON GDP11078.

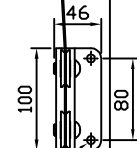
THE EXTENDED ENDCAPS ARE FITTED TO THE HEMBAR FOR USE WITH THE RELIEVING ROLLER.

2. SYSTEM MAY BE BACKFIX OR BOTTOM FIX.
ITEMS 50, 60 REQUIRED FOR BACKFIX SYSTEM,
ITEMS 70, 80 REQUIRED FOR BOTTOM FIX SYSTEM.

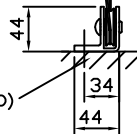
IMPORTANT!
WHEN INSTALLATION IS ON A CURVED OR PITCHED PROFILE, CABLE GUIDE KIT GDP23018 MUST BE FITTED.

SYSTEM DRAW	'y'
1.0 – 2.0m	200mm
2.1 – 3.0m	250mm
3.1 – 4.0m	300mm
4.1 – 5.0m	350mm
5.1 – 6.5m	400mm

M8 FIXINGS (NOT SUPPLIED)



M8 FIXINGS (NOT SUPPLIED)



REMOVE ALL SHARP EDGES
IF IN DOUBT ASK DO NOT SCALE
GENERAL TOLERANCES TO ISO2768-m

This drawing is copyright and the exclusive property of GUTHRIE DOUGLAS LTD. and must not be copied, used or exhibited without prior consent.

Guthrie Douglas

12 Heathcote Way, Heathcote Industrial Estate,
Warwick, CV34 6TE, UK

Customer	STANDARD		
Material	Scale	Size	
	NTS	A3	
Surface Finish	Special		

TESS 422 INSTALLATION
TESS 422

Product Group		SOLAR		Item No.	N/A
Drawn	Date	Checked	Date		
Geoff.Smith	2010/05/19	Iain.Hill	14/09/20		
DRG.NO: GDP23249/04					
1 1					