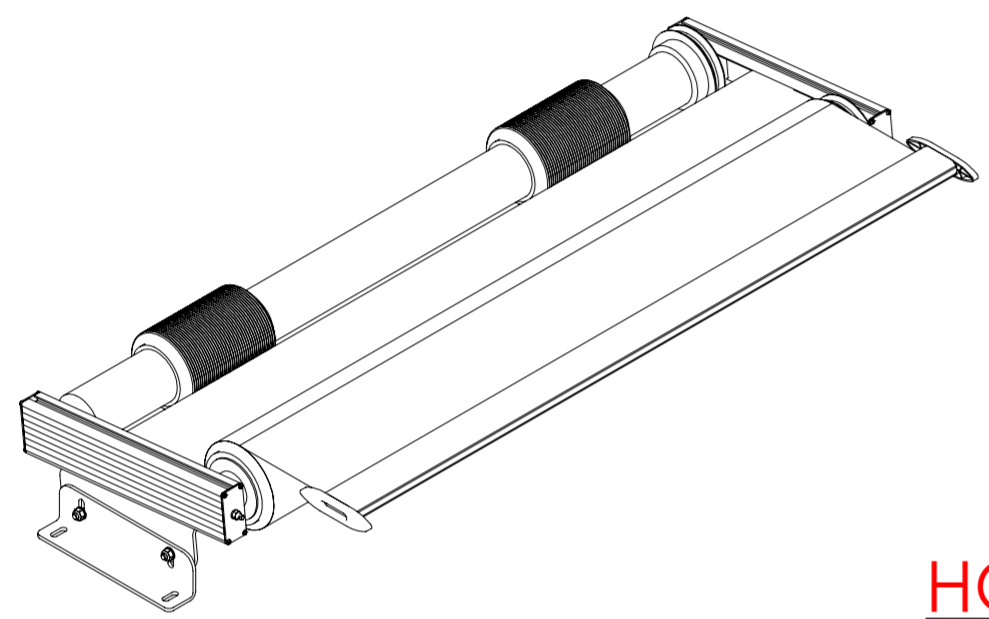
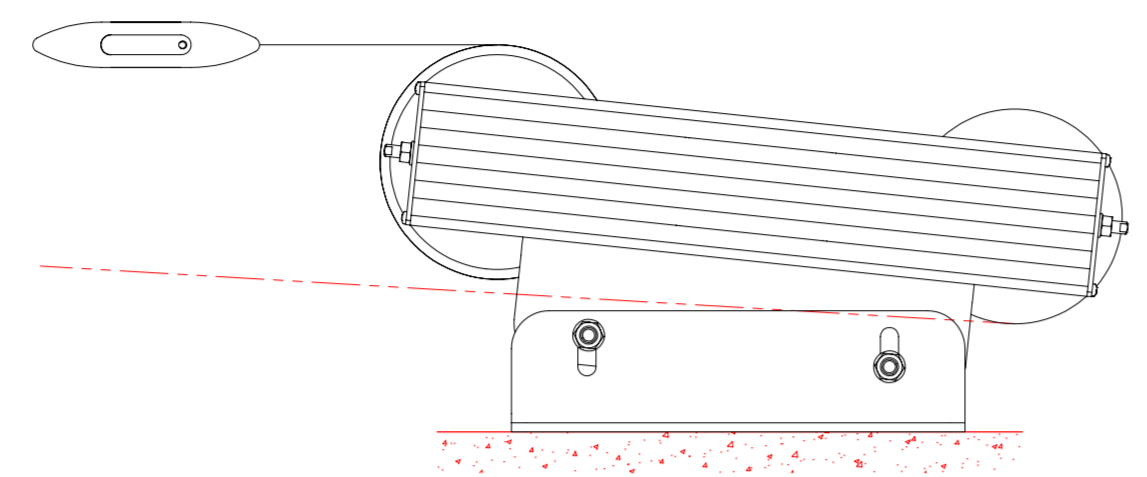
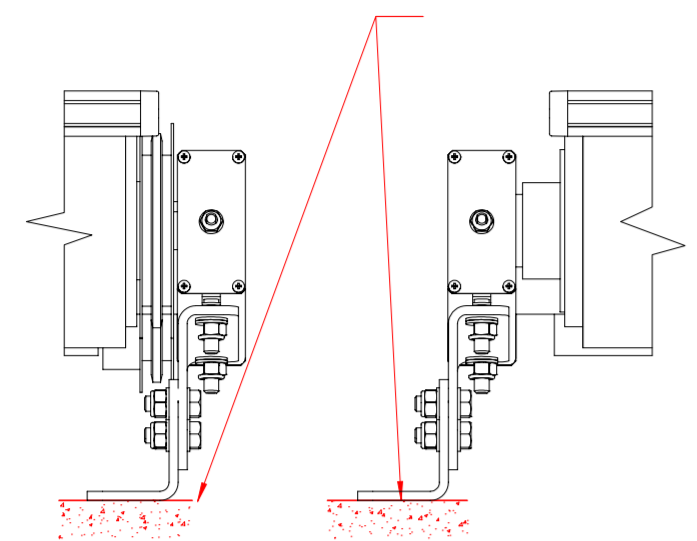
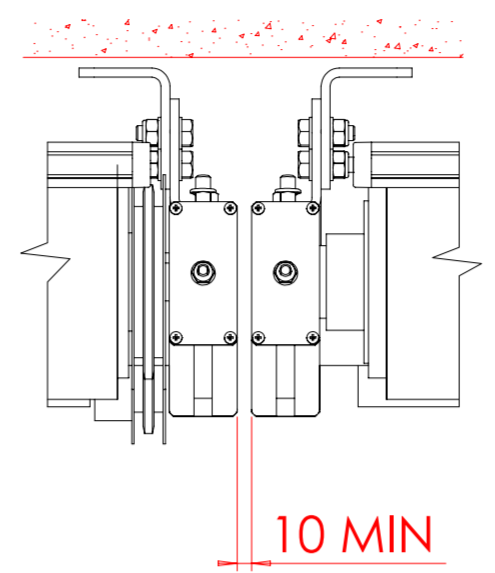


PRODUCTION	NO
PURCHASING	NO
SALES	FOR INFORMATION ONLY
MARKETING	FOR INFORMATION ONLY

ALTERNATIVE BRACKET POSITIONS  
(MAY BE USED FOR ANY OF THE FOUR MOUNTING ARRANGEMENTS SHOWN IN THIS DRAWING)



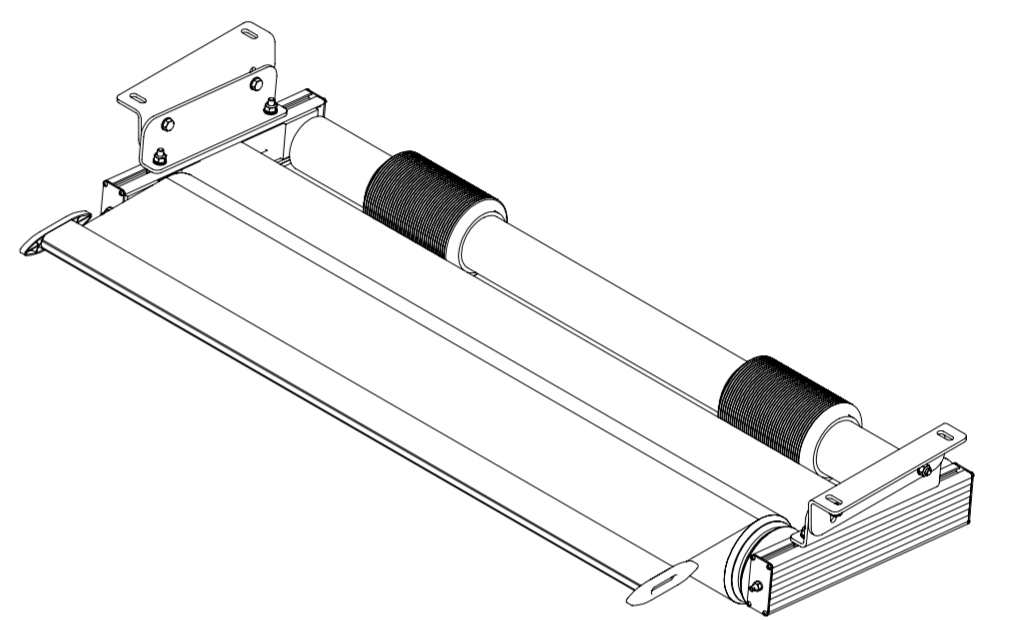
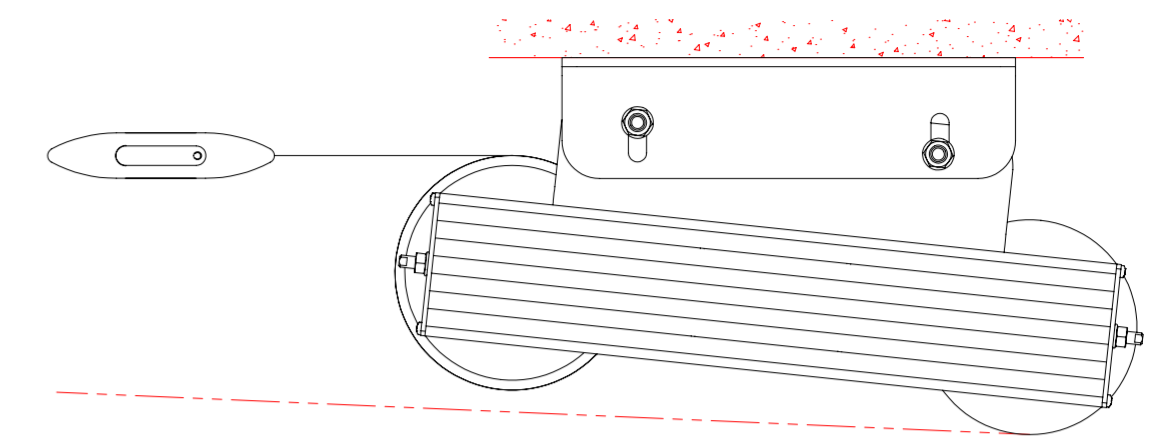
**HORIZONTAL - BOTTOM MOUNTED**



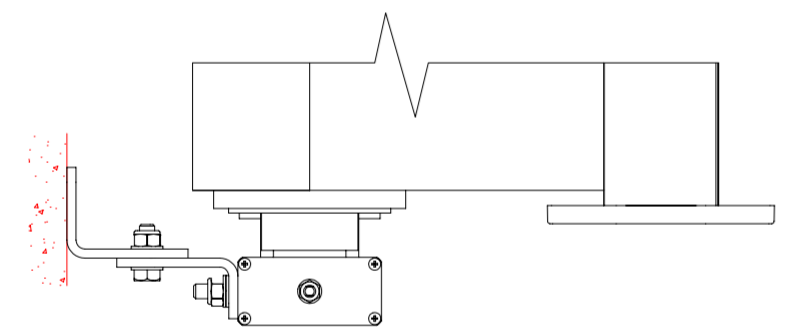
METHOD OF MOUNTING  
BACK-TO-BACK UNITS

(BACK-TO-BACK MOUNTING MAY BE USED WITH ANY OF THE FOUR MOUNTING ARRANGEMENTS SHOWN IN THIS DRAWING)

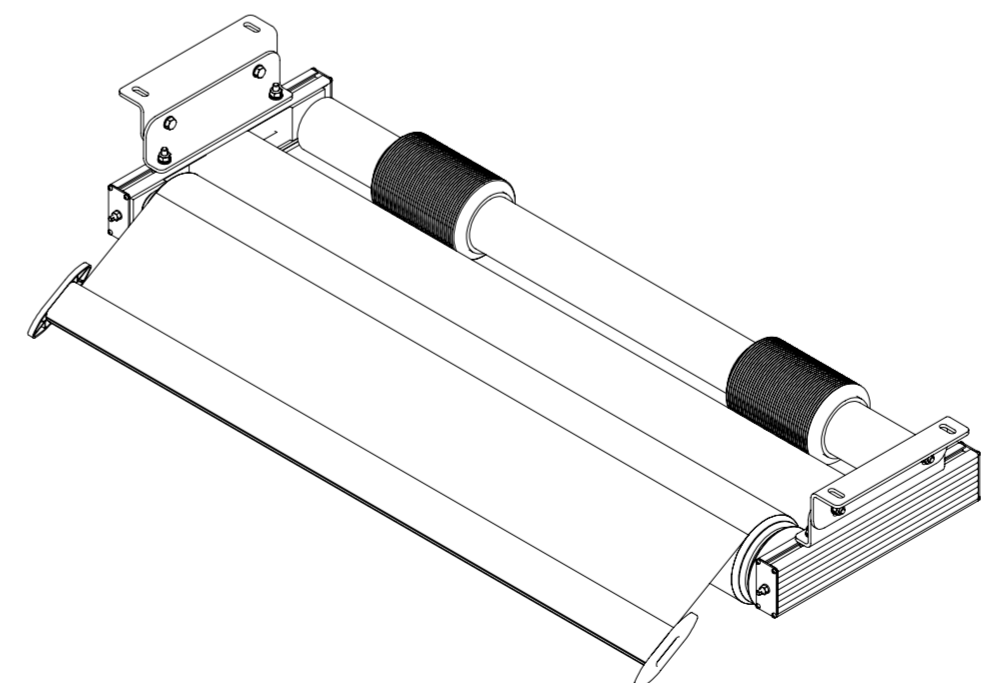
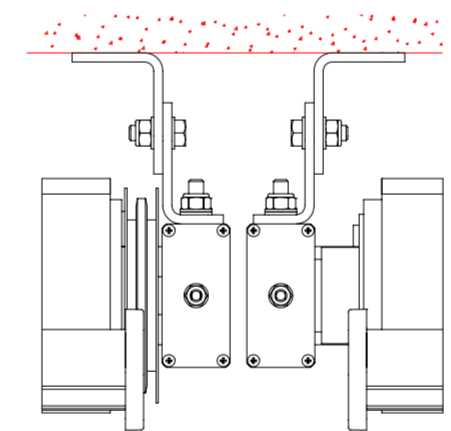
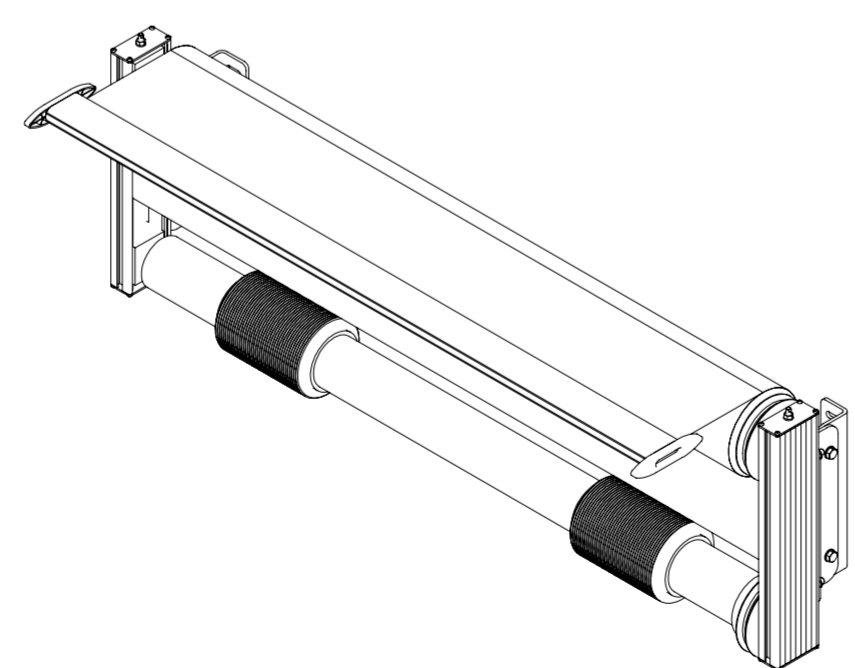
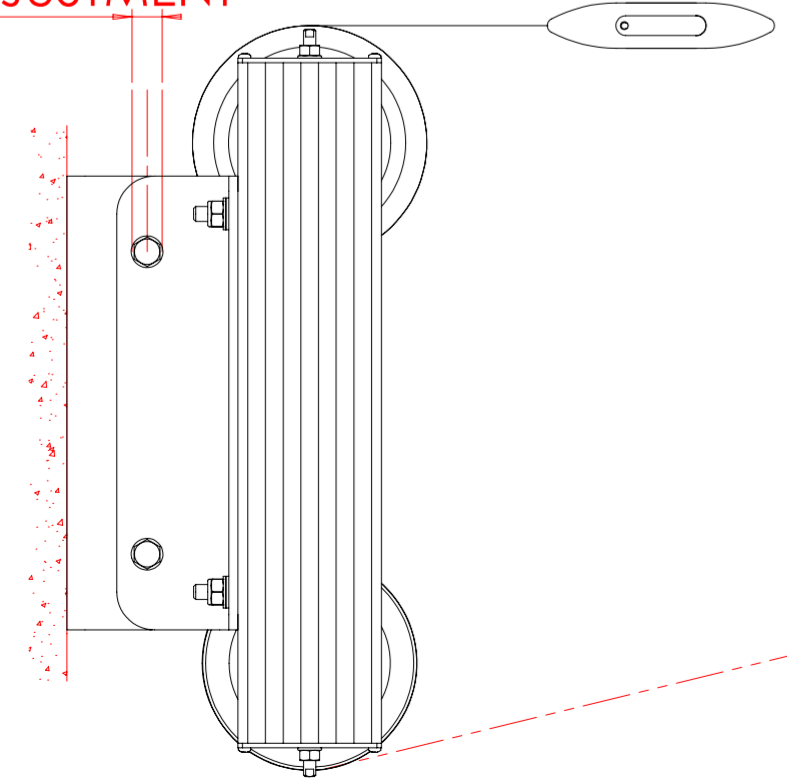
**HORIZONTAL - TOP MOUNTED**



**VERTICAL - BACK MOUNTED**



+10  
TRACKING  
ADJUSTMENT



**HORIZONTAL - TOP MOUNTED  
(SLOPING ROOF)**

THIRD ANGLE PROJECTION		
REMOVE ALL SHARP EDGES		
IF IN DOUBT ASK	DO NOT SCALE	
GENERAL TOLERANCES TO ISO2768-m		
ALL DIMS.IN mm	DRAWN TO BS308	

This drawing is copyright and the exclusive property of GUTHRIE DOUGLAS LTD. and must not be copied, used or exhibited without prior written consent.

**Guthrie Douglas**

12 Heathcote Way, Heathcote Ind. Est.,  
Warwick, CV34 6TE, England  
Tel : (01926) 452452 Fax : (01926) 336417

Customer	STANDARD		
Material	Scale	Size	
	1:5	A2	
Surface Finish	Special		

TESS 200

TYPICAL MOUNTING  
WITH GDP22800 & GDP22801  
BRACKETS

Product Group	SOLAR			Item No.
Drawn	Date	Checked	Date	
Geoff.Smith	17-11-2010	Geoff.Smith	18-11-2010	
DRG.NO: GDP23369 / 01				
SHEET 1 OF 1 SHEETS				