

TESS™ SPARE PARTS PRICE LIST

£ STERLING



CONTENTS

All prices valid until 30th April 2022

| | | | |
|----|-------------------|----|------------------|
| 2 | TESS™ Sample Kits | 31 | TESS™ 400 |
| 3 | TESS™ Demo Units | 35 | TESS™ 401 |
| 4 | TESS™ 100 | 40 | TESS™ 402 |
| 8 | TESS™ 101 | 45 | TESS™ 420 |
| 12 | TESS™ 102 | 48 | TESS™ 440 |
| 16 | TESS™ 120 | 53 | TESS™ 512 |
| 19 | TESS™ 140 | 56 | TESS™ 600 SERIES |
| 25 | TESS™ 200 | 59 | TESS™ 600L |
| 28 | TESS™ 308 | | |
| 29 | TESS™ 312 | | |

TERMS AND CONDITIONS

- 1 Delivery time: 1 working day if UK, 3-5 working days if Europe, tbc if overseas. Subject to item in stock, please get in touch +44 19 26 31 08 50.
- 2 Dispatch the same day if order placed before 10 am UK time.
- 3 All prices exclude V.A.T. carriage, package and insurance.
- 4 Minium delivery costs £20 (delivery costs depending on order and can therefore vary).
- 5 If you are a new customer please provide your VAT number, otherwise VAT charges apply.
- 6 Please specify in order what system spare parts are for.
- 7 General T+C's apply.

[Click to jump to your chosen product section](#)

TESS™ Sample Kits



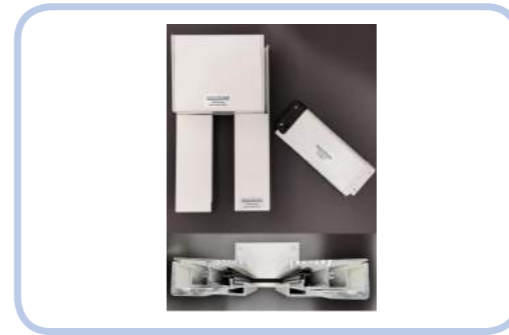
| NAV NO. | DESCRIPTION | FINISH | UNIT |
|---------|--------------------------|---------------|---------|
| 7992 | TESS™ 100/400 sample kit | White RAL9016 | £154.50 |



| NAV NO. | DESCRIPTION | FINISH | UNIT |
|---------|-----------------------------------|---------------|---------|
| 7855 | TESS™ 600/640/660/660L sample kit | White RAL9016 | £154.50 |



| NAV NO. | DESCRIPTION | FINISH | UNIT |
|---------|--------------------------|---------------|---------|
| 7993 | TESS™ 120/420 sample kit | White RAL9016 | £154.50 |



| NAV NO. | DESCRIPTION | FINISH | UNIT |
|---------|-----------------------------|---------------|---------|
| 9181 | TESS™ 660 recess sample kit | White RAL9016 | £154.50 |



| NAV NO. | DESCRIPTION | FINISH | UNIT |
|---------|--------------------------|---------------|---------|
| 7848 | TESS™ 140/440 sample kit | White RAL9016 | £180.25 |

TESS™ Demo Units



| NAV NO. | DESCRIPTION | FINISH | UNIT |
|---------|------------------------------|---------------|---------|
| 7297 | TESS™ 100 portable demo unit | White RAL9016 | £450.15 |



| NAV NO. | DESCRIPTION | FINISH | UNIT |
|---------|------------------------------|---------------|---------|
| 9220 | TESS™ 640 portable demo unit | White RAL9016 | £450.15 |



| NAV NO. | DESCRIPTION | FINISH | UNIT |
|---------|------------------------------|---------------|---------|
| 6746 | TESS™ 140 portable demo unit | White RAL9016 | £450.15 |



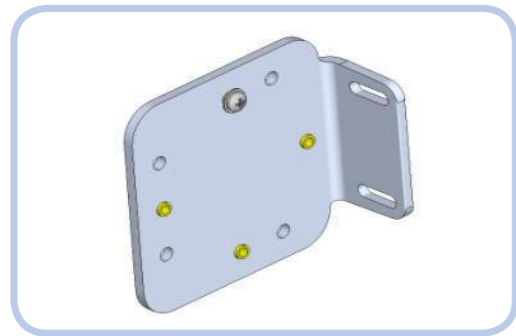
| NAV NO. | DESCRIPTION | FINISH | UNIT |
|---------|------------------------------|---------------|---------|
| 6747 | TESS™ 660 portable demo unit | White RAL9016 | £450.15 |



| NAV NO. | DESCRIPTION | FINISH | UNIT |
|---------|------------------------------|---------------|---------|
| 6748 | TESS™ 602 portable demo unit | White RAL9016 | £450.15 |

• Approximate size of the demo units are 1000mm x 1000mm

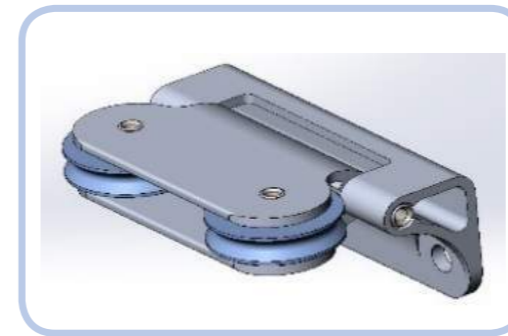
TESS™ 100



| NAV NO. | DESCRIPTION | FINISH | UNIT |
|---------|----------------------------|---------------|--------|
| 6772 | Mounting bracket universal | Mill | £20.60 |
| 6773 | Mounting bracket universal | White RAL9016 | £20.30 |



| NAV NO. | DESCRIPTION | FINISH | UNIT |
|---------|----------------------------|---------------|--------|
| 7298 | Side fix end plated s/assy | Mill | £16.50 |
| 7299 | Side fix end plated s/assy | White RAL9016 | £16.50 |



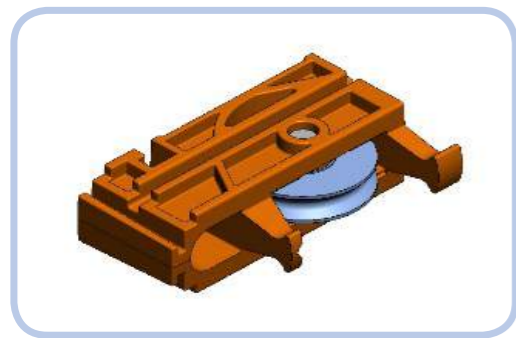
| NAV NO. | DESCRIPTION | FINISH | UNIT |
|---------|----------------------------------|---------------|--------|
| 7139 | Pivoting twin return pulley assy | Mill | £46.30 |
| 8211 | Pivoting twin return pulley assy | White RAL9016 | £46.30 |



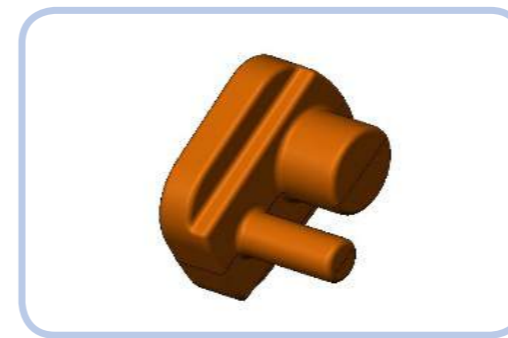
| NAV NO. | DESCRIPTION | FINISH | UNIT |
|---------|---|--------|---------|
| 7841 | Wire rope 1.2mm core 1.5 OD - 50 metre | N/A | £52.55 |
| 4376 | Wire rope 1.2mm core 1.5 OD - 100 metre | N/A | £104.70 |
| 4377 | Wire rope 1.2mm core 1.5 OD - 200 metre | N/A | £209.30 |
| 4378 | Wire rope 1.2mm core 1.5 OD - 500 metre | N/A | £523.35 |

TESS™ 100

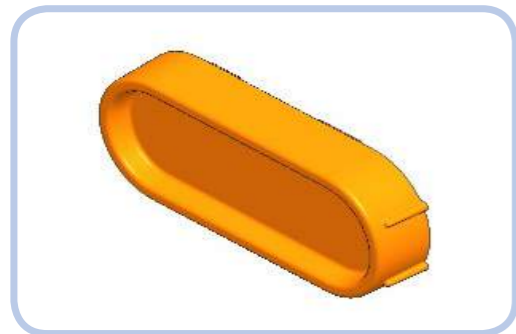
Parts for new hembar – from February 2018



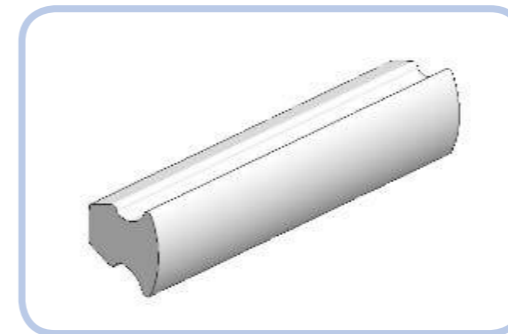
| NAV NO. | DESCRIPTION | FINISH | UNIT |
|---------|-----------------------------|--------|--------|
| 8320 | Hem bar pulley housing assy | Black | £12.70 |
| 3041 | Supply with fixing screw | | |



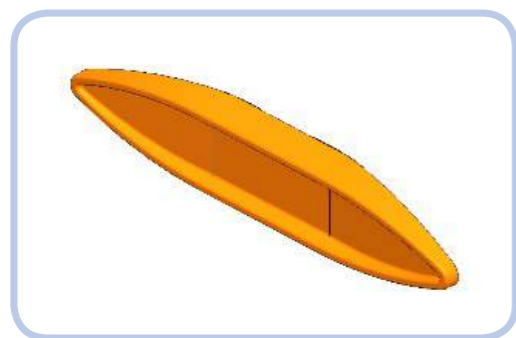
| NAV NO. | DESCRIPTION | FINISH | UNIT |
|---------|----------------------|--------|-------|
| 8295 | Hembar fabric spacer | Black | £0.60 |
| 7392 | Hembar fabric spacer | White | £0.60 |



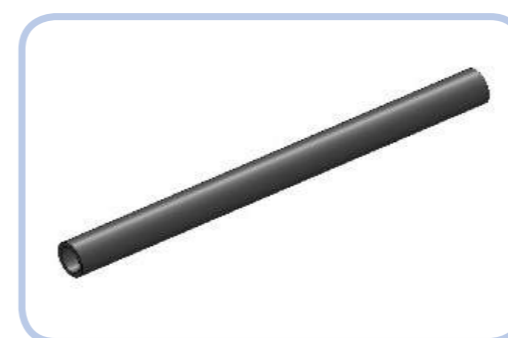
| NAV NO. | DESCRIPTION | FINISH | UNIT |
|---------|----------------|--------|-------|
| 8288 | Hembar end cap | Black | £3.40 |
| 7388 | Hembar end cap | White | £3.40 |



| NAV NO. | DESCRIPTION | FINISH | UNIT |
|---------|--|--------|---------|
| 8289 | Hembar silicone finishing strip (price per 20m coil) | Black | £127.30 |
| 7390 | Hembar silicone finishing strip (price per 20m coil) | White | £127.30 |



| NAV NO. | DESCRIPTION | FINISH | UNIT |
|---------|-------------------------|--------|-------|
| 8287 | Hembar end cap r/roller | Black | £4.35 |
| 7394 | Hembar end cap r/roller | White | £4.35 |



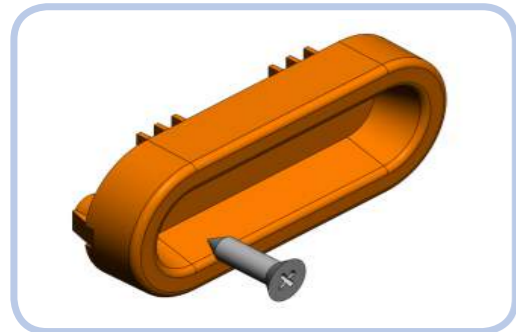
| NAV NO. | DESCRIPTION | FINISH | UNIT |
|---------|---|--------|--------|
| 5689 | Hembar guide cable tube (price per 4m length) | Black | £13.60 |

TESS™ 100

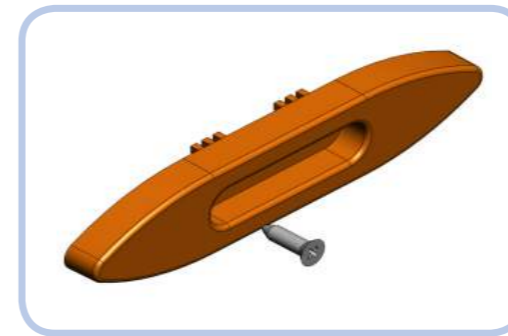
Parts for hembar – pre-February 2018



| NAV NO. | DESCRIPTION | FINISH | UNIT |
|---------|--------------------|--------|--------|
| 4435 | Hembar pulley assy | N/A | £16.15 |



| NAV NO. | DESCRIPTION | FINISH | UNIT |
|---------|--------------------------------|--------|-------|
| 5493 | Hembar end cap s/assy standard | White | £3.40 |
| 5494 | Hembar end cap s/assy standard | Black | £3.40 |



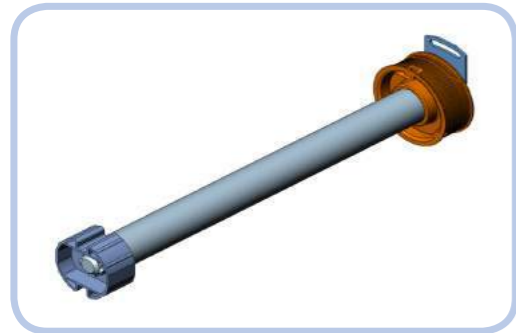
| NAV NO. | DESCRIPTION | FINISH | UNIT |
|---------|----------------------------------|--------|-------|
| 5495 | Hembar end cap s/assy boat style | White | £3.40 |
| 5496 | Hembar end cap s/assy boat style | Black | £3.40 |

TESS™ 100

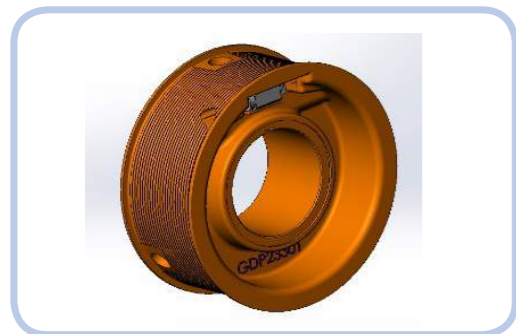
Motor assemblies and spring cassette assemblies

MOTOR ASSEMBLIES

- Motors are supplied as a complete assembly with cable drum and mounting adaptors for quick and easy replacement.
- Motors that were installed on TESS™ systems before 2002 may require additional adaptors so please inform our sales department when placing your order (refer to technical document TD56).



| NAV NO. | DESCRIPTION | FINISH | UNIT |
|---------|--|--------|---------|
| 5357 | Type 5 motor and bracket s/assy - Standard motor 230V AC | N/A | £162.50 |
| 5358 | Type 5 motor and bracket s/assy - Standard motor 110V AC | N/A | £187.20 |
| 5359 | Type 5 motor and bracket s/assy - Radio motor 230V AC | N/A | £245.45 |
| 5360 | Type 5 motor and bracket s/assy - Radio motor 110V AC | N/A | £232.60 |



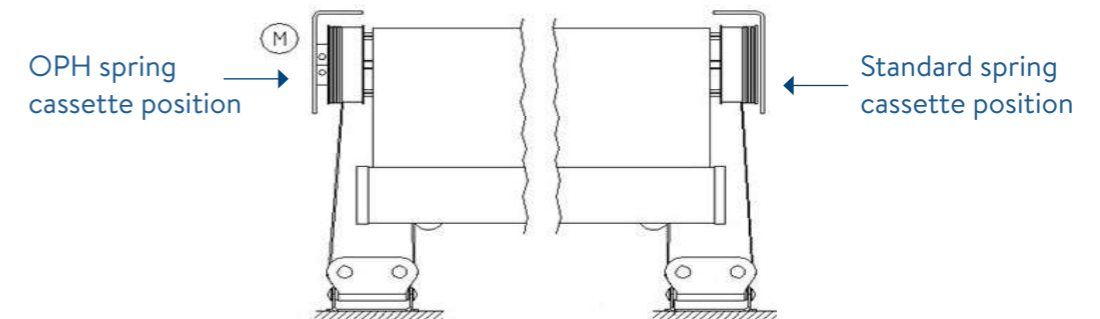
| NAV NO. | DESCRIPTION | FINISH | UNIT |
|---------|---|--------|--------|
| 6745 | Motor cable spool s/assy | Black | £33.65 |
| 7865 | To be supplied with replacement Simu Motor Limit Collar | Black | £7.40 |

SPRING CASSETTE ASSEMBLIES

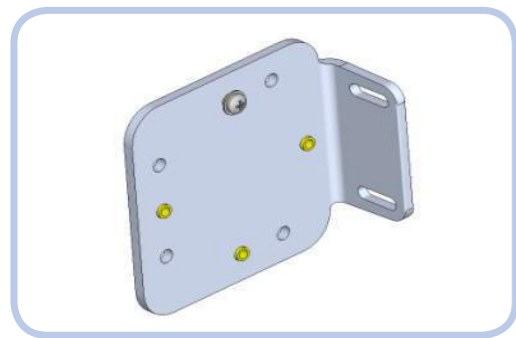
- Tension springs are only supplied as a complete assembly for quick and easy replacement.
- Four variations of spring cassette are used. They are not interchangeable.
 - Standard and OPH spring cassettes are used on TESS™ systems above 1080mm wide
 - Short and short OPH spring cassettes are only used on systems that are below 1080 wide AND less than 3000mm draw.
 - Please refer to diagram below for standard and OPH spring cassette positions. For identification the OPH spring cassettes are sprayed white on the coils.



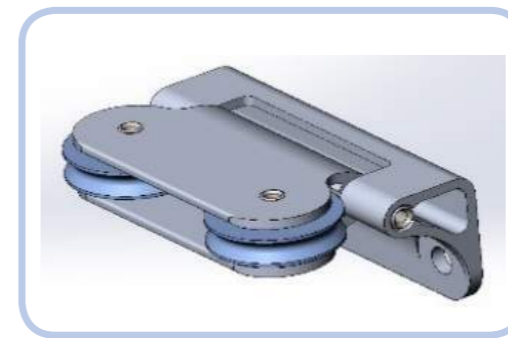
| NAV NO. | DESCRIPTION | FINISH | UNIT |
|---------|---|--------|---------|
| 5353 | Standard Spring Cassette | N/A | £164.35 |
| 5354 | OPH (opposite hand) spring cassette | N/A | £167.35 |
| 5355 | Short spring cassette (standard position) | N/A | £184.65 |
| 5356 | Short OPH (opposite hand) spring cassette | N/A | £178.05 |



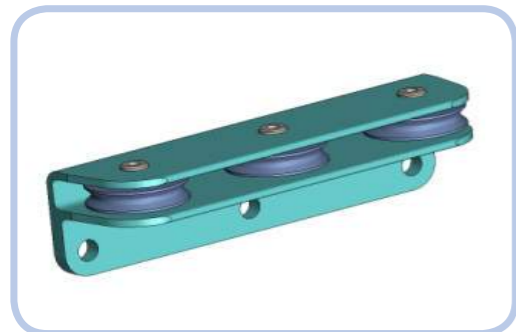
TESS™ 101



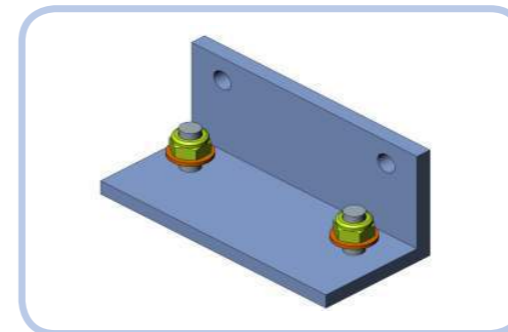
| NAV NO. | DESCRIPTION | FINISH | UNIT |
|---------|----------------------------|---------------|--------|
| 6772 | Mounting bracket universal | Mill | £20.60 |
| 6773 | Mounting bracket universal | White RAL9016 | £20.60 |



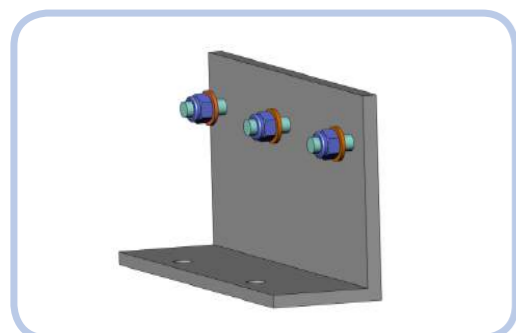
| NAV NO. | DESCRIPTION | FINISH | UNIT |
|---------|----------------------------------|---------------|--------|
| 7139 | Pivoting twin return pulley assy | Mill | £46.30 |
| 8211 | Pivoting twin return pulley assy | White RAL9016 | £46.30 |



| NAV NO. | DESCRIPTION | FINISH | UNIT |
|---------|---------------------------|---------------|--------|
| 6655 | Triple return pulley assy | Mill | £35.85 |
| 6656 | Triple return pulley assy | White RAL9016 | £35.85 |



| NAV NO. | DESCRIPTION | FINISH | UNIT |
|---------|--|---------------|--------|
| 3772 | Twin return pulley mounting bracket assy 50x50 | Mill | £11.50 |
| 3773 | Twin return pulley mounting bracket assy 50x50 | White RAL9016 | £11.50 |



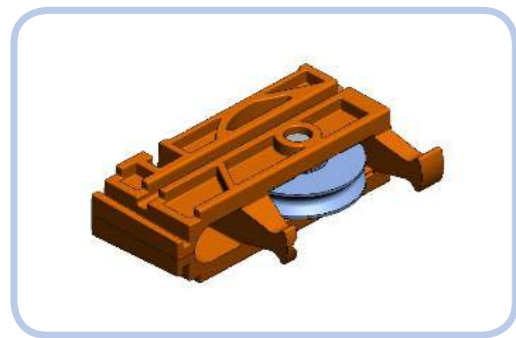
| NAV NO. | DESCRIPTION | FINISH | UNIT |
|---------|---|---------------|--------|
| 3933 | Triple return pulley mounting bracket assy 102x50 | Mill | £13.60 |
| 3934 | Triple return pulley mounting bracket assy 102x50 | White RAL9016 | £13.60 |



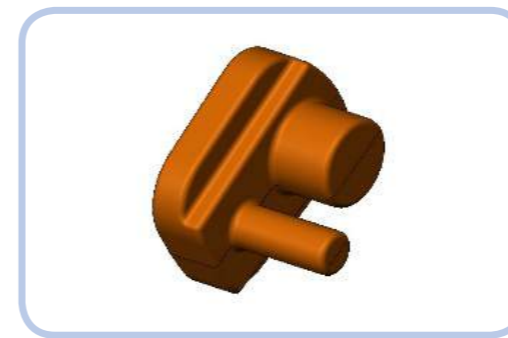
| NAV NO. | DESCRIPTION | FINISH | UNIT |
|---------|---|--------|---------|
| 7841 | Wire rope 1.2mm core 1.5 OD - 50 metre | N/A | £52.55 |
| 4376 | Wire rope 1.2mm core 1.5 OD - 100 metre | N/A | £104.70 |
| 4377 | Wire rope 1.2mm core 1.5 OD - 200 metre | N/A | £209.30 |
| 4378 | Wire rope 1.2mm core 1.5 OD - 500 metre | N/A | £523.35 |

TESS™ 101

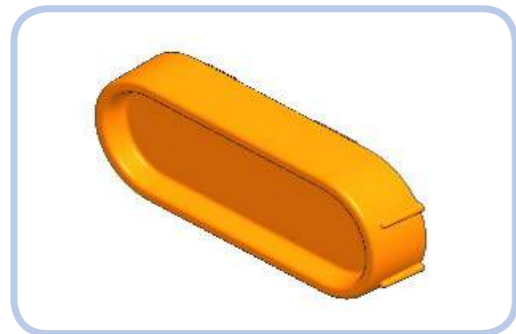
Parts for new hembar – from February 2018



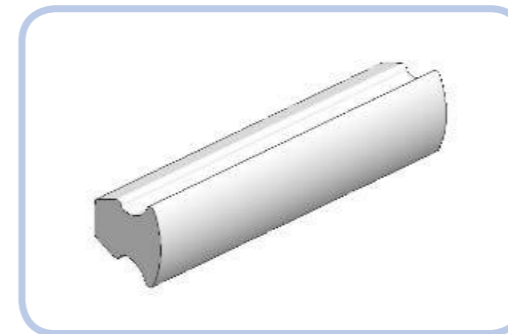
| NAV NO. | DESCRIPTION | FINISH | UNIT |
|---------|----------------------------|--------|--------|
| 8320 | Hembar pulley Housing assy | Black | £12.70 |
| 3041 | Supply with fixing screw | | |



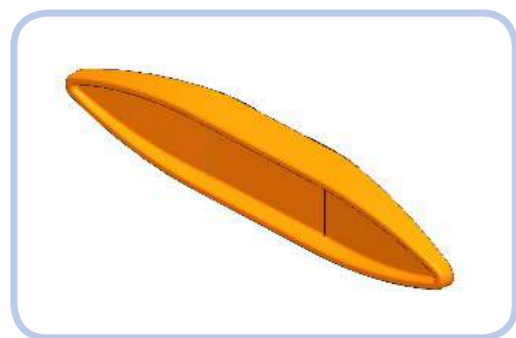
| NAV NO. | DESCRIPTION | FINISH | UNIT |
|---------|-----------------------|--------|-------|
| 8295 | Hem bar fabric spacer | Black | £0.60 |
| 7392 | Hem bar fabric spacer | White | £0.60 |



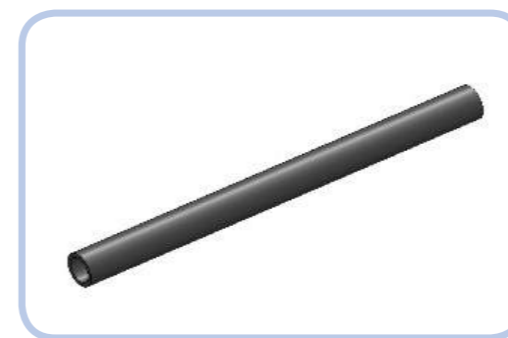
| NAV NO. | DESCRIPTION | FINISH | UNIT |
|---------|----------------|--------|-------|
| 8288 | Hembar end cap | Black | £3.40 |
| 7388 | Hembar end cap | White | £3.40 |



| NAV NO. | DESCRIPTION | FINISH | UNIT |
|---------|--|--------|---------|
| 8289 | Hembar silicone finishing strip (price per 20m coil) | Black | £127.30 |
| 7390 | Hembar silicone finishing strip (price per 20m coil) | White | £127.30 |



| NAV NO. | DESCRIPTION | FINISH | UNIT |
|---------|-------------------------|--------|-------|
| 8287 | Hembar end cap r/roller | Black | £4.35 |
| 7394 | Hembar end cap r/roller | White | £4.35 |



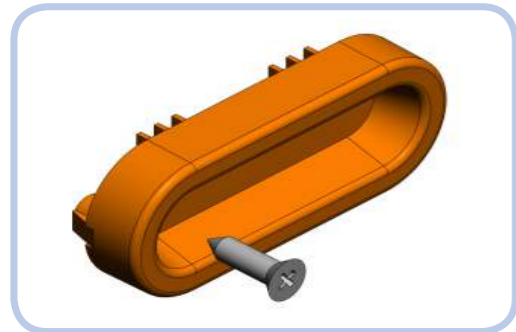
| NAV NO. | DESCRIPTION | FINISH | UNIT |
|---------|---|--------|--------|
| 5689 | Hembar guide cable tube (price per 4m length) | Black | £13.60 |

TESS™ 101

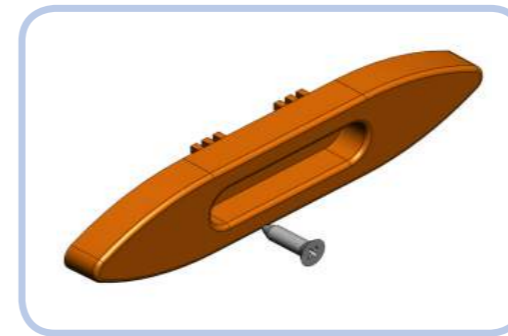
Parts for hembar – pre-February 2018



| NAV NO. | DESCRIPTION | FINISH | UNIT |
|---------|--------------------|--------|--------|
| 4435 | Hembar pulley assy | N/A | £16.15 |



| NAV NO. | DESCRIPTION | FINISH | UNIT |
|---------|--------------------------------|--------|-------|
| 5493 | Hembar end cap s/assy standard | White | £3.40 |
| 5494 | Hembar end cap s/assy standard | Black | £3.40 |



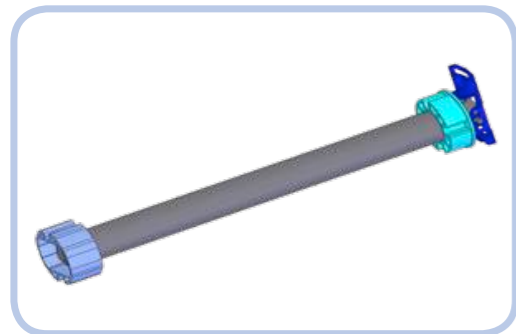
| NAV NO. | DESCRIPTION | FINISH | UNIT |
|---------|----------------------------------|--------|-------|
| 5495 | Hembar end cap s/assy boat style | White | £3.40 |
| 5496 | Hembar end cap s/assy boat style | Black | £3.40 |

TESS™ 101

Motor assemblies and spring cassette assemblies

MOTOR ASSEMBLIES

- Motors are supplied as a complete assembly with cable drum and mounting adaptors for quick and easy replacement.
- Motors that were installed on TESS™ systems before 2002 may require additional adaptors so please inform our sales department when placing your order (refer to technical document TD56).



| NAV NO. | DESCRIPTION | FINISH | UNIT |
|---------|---|--------|---------|
| 4793 | Standard wired motor assembly – 230V AC | N/A | £150.90 |
| 4794 | Radio motor assembly – 230V AC | N/A | £205.75 |
| 4795 | Standard wired motor assembly – 110V AC | N/A | £193.85 |

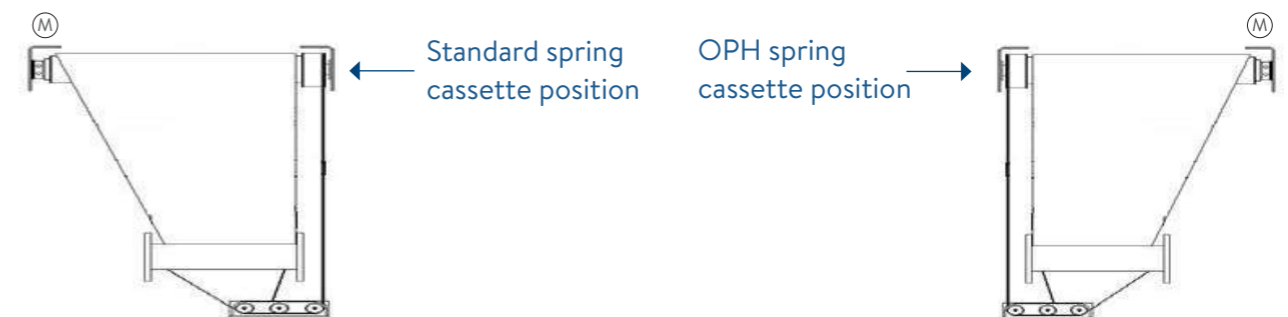
SPRING CASSETTE ASSEMBLIES

- Tension springs are only supplied as a complete assembly for quick and easy replacement.
- Four variations of spring cassette are used. They are not interchangeable.
 - Standard and OPH spring cassettes are used on TESS™ systems above 1080mm wide
 - Short and short OPH spring cassettes are only used on systems that are below 1080 wide AND less than 3000mm draw.
- Please refer to diagram below for standard and OPH spring cassette positions. For identification the OPH spring cassettes are sprayed white on the coils.

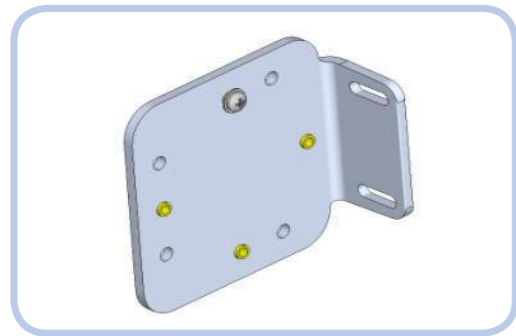


*Please specify when ordering that spring cassette is for TESS™ 101

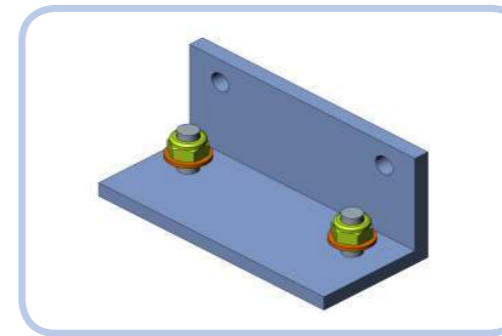
| NAV NO. | DESCRIPTION | FINISH | UNIT |
|---------|---|--------|---------|
| 5353* | Standard spring cassette | N/A | £164.35 |
| 5354* | OPH (opposite hand) spring cassette | N/A | £167.35 |
| 5355* | Short spring cassette (standard position) | N/A | £184.65 |
| 5356* | Short OPH (opposite hand) spring cassette | N/A | £178.05 |
| 3447 | 1.2 mm copper end stop | N/A | £1.00 |



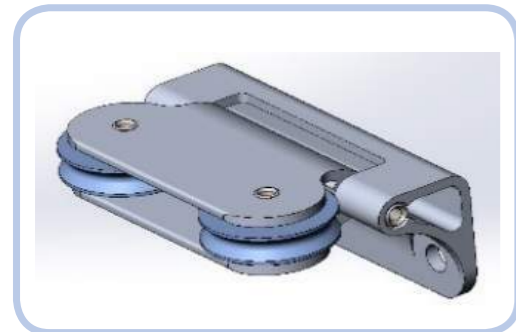
TESS™ 102



| NAV NO. | DESCRIPTION | FINISH | UNIT |
|---------|----------------------------|---------------|--------|
| 6772 | Mounting bracket universal | Mill | £20.60 |
| 6773 | Mounting bracket universal | White RAL9016 | £20.60 |



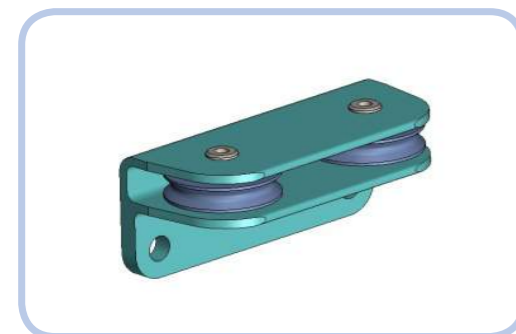
| NAV NO. | DESCRIPTION | FINISH | UNIT |
|---------|--|---------------|--------|
| 3772 | Twin return pulley mounting bracket assy 50x50 | Mill | £11.50 |
| 3773 | Twin return pulley mounting bracket assy 50x50 | White RAL9016 | £11.50 |



| NAV NO. | DESCRIPTION | FINISH | UNIT |
|---------|----------------------------------|---------------|--------|
| 7139 | Pivoting twin return pulley assy | Mill | £46.30 |
| 8211 | Pivoting twin return pulley assy | White RAL9016 | £46.30 |



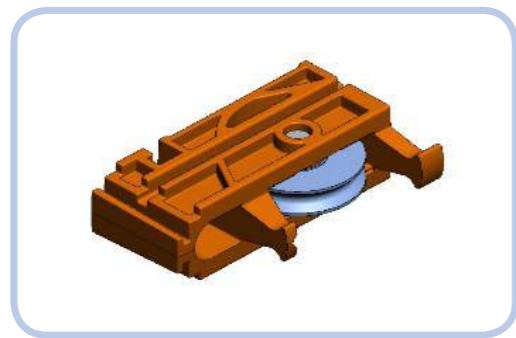
| NAV NO. | DESCRIPTION | FINISH | UNIT |
|---------|---|--------|---------|
| 7841 | Wire rope 1.2mm core 1.5 OD - 50 metre | N/A | £52.55 |
| 4376 | Wire rope 1.2mm core 1.5 OD - 100 metre | N/A | £104.70 |
| 4377 | Wire rope 1.2mm core 1.5 OD - 200 metre | N/A | £209.30 |
| 4378 | Wire rope 1.2mm core 1.5 OD - 500 metre | N/A | £523.35 |



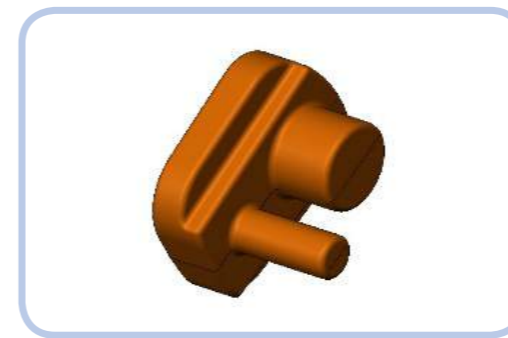
| NAV NO. | DESCRIPTION | FINISH | UNIT |
|---------|----------------------------|---------------|--------|
| 6653 | Twin diverting pulley assy | Mill | £27.45 |
| 6654 | Twin diverting pulley assy | White RAL9016 | £27.45 |

TESS™ 102

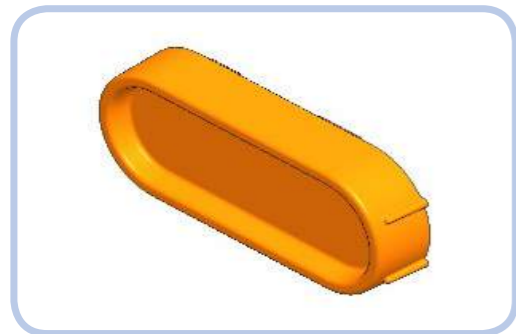
Parts for new hembar – from February 2018



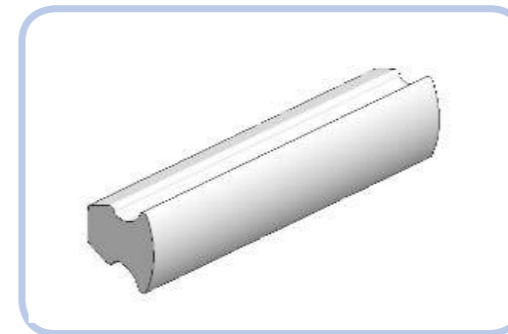
| NAV NO. | DESCRIPTION | FINISH | UNIT |
|---------|-----------------------------|--------|--------|
| 8320 | Hem bar pulley housing assy | Black | £12.70 |
| 3041 | Supply with fixing screw | | |



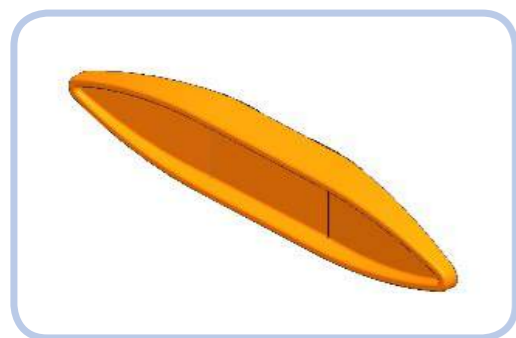
| NAV NO. | DESCRIPTION | FINISH | UNIT |
|---------|----------------------|--------|-------|
| 8295 | Hembar fabric spacer | Black | £0.60 |
| 7392 | Hembar fabric spacer | White | £0.60 |



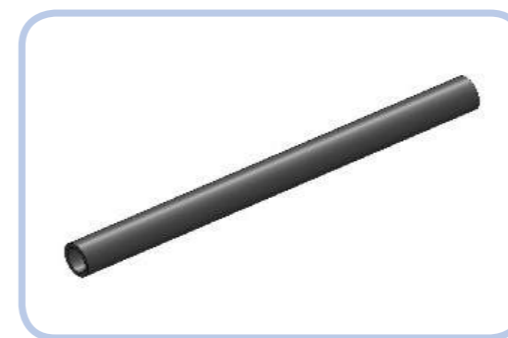
| NAV NO. | DESCRIPTION | FINISH | UNIT |
|---------|----------------|--------|-------|
| 8288 | Hembar end cap | Black | £3.40 |
| 7388 | Hembar end cap | White | £3.40 |



| NAV NO. | DESCRIPTION | FINISH | UNIT |
|---------|--|--------|---------|
| 8289 | Hembar silicone finishing strip (price per 20m coil) | Black | £127.30 |
| 7390 | Hembar silicone finishing strip (price per 20m coil) | White | £127.30 |



| NAV NO. | DESCRIPTION | FINISH | UNIT |
|---------|-------------------------|--------|-------|
| 8287 | Hembar end cap r/roller | Black | £4.35 |
| 7394 | Hembar end cap r/roller | White | £4.35 |



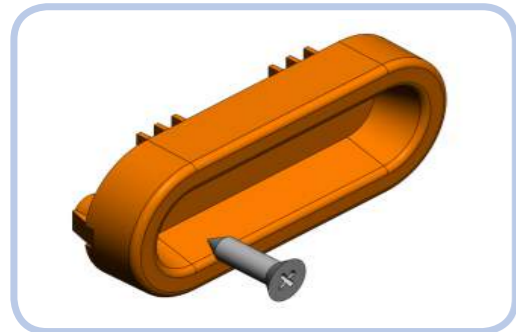
| NAV NO. | DESCRIPTION | FINISH | UNIT |
|---------|---|--------|--------|
| 5689 | Hembar guide cable tube (price per 4m length) | Black | £13.60 |

TESS™ 102

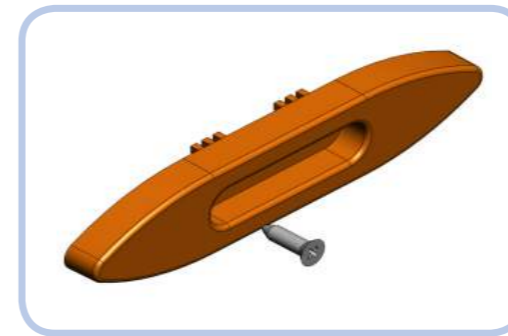
Parts for hembar – pre-February 2018



| NAV NO. | DESCRIPTION | FINISH | UNIT |
|---------|--------------------|--------|--------|
| 4435 | Hembar pulley assy | N/A | £16.15 |



| NAV NO. | DESCRIPTION | FINISH | UNIT |
|---------|--------------------------------|--------|-------|
| 5493 | Hembar end cap s/assy standard | White | £3.40 |
| 5494 | Hembar end cap s/assy standard | Black | £3.40 |



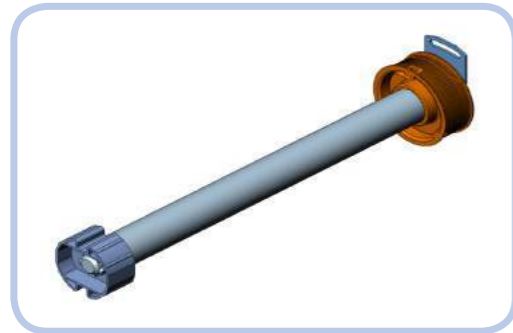
| NAV NO. | DESCRIPTION | FINISH | UNIT |
|---------|----------------------------------|--------|-------|
| 5495 | Hembar end cap s/assy boat style | White | £3.40 |
| 5496 | Hembar end cap s/assy boat style | Black | £3.40 |

TESS™ 102

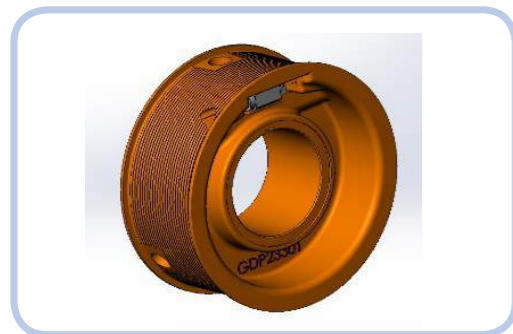
Motor assemblies and spring cassette assemblies

MOTOR ASSEMBLIES

- Motors are supplied as a complete assembly with cable drum and mounting adaptors for quick and easy replacement.
- Motors that were installed on TESS™ systems before 2002 may require additional adaptors so please inform our sales department when placing your order (refer to technical document TD56).



| NAV NO. | DESCRIPTION | FINISH | UNIT |
|---------|--|--------|---------|
| 5357 | Type 5 motor and bracket s/assy - Standard motor 230V AC | N/A | £162.50 |
| 5358 | Type 5 motor and bracket s/assy - Standard motor 110V AC | N/A | £187.20 |
| 5359 | Type 5 motor and bracket s/assy - Radio motor 230V AC | N/A | £245.45 |
| 5360 | Type 5 motor and bracket s/assy - Radio motor 110V AC | N/A | £232.60 |



| NAV NO. | DESCRIPTION | FINISH | UNIT |
|---------|---|--------|--------|
| 6745 | Motor cable spool s/assy | Black | £33.65 |
| 7865 | To be supplied with replacement Simu Motor Limit Collar | Black | £7.40 |

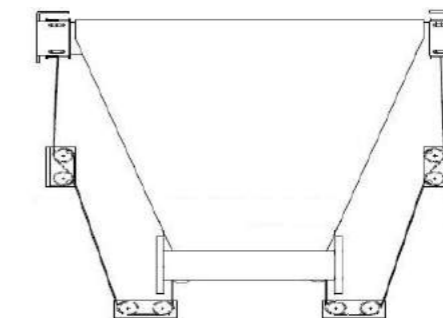
SPRING CASSETTE ASSEMBLIES

- Tension springs are only supplied as a complete assembly for quick and easy replacement.
- Four variations of spring cassette are used. They are not interchangeable.
 - Standard and OPH spring cassettes are used on TESS™ systems above 1080mm wide
 - Short and short OPH spring cassettes are only used on systems that are below 1080 wide AND less than 3000mm draw.
 - Please refer to diagram below for standard and OPH spring cassette positions. For identification the OPH spring cassettes are sprayed white on the coils.



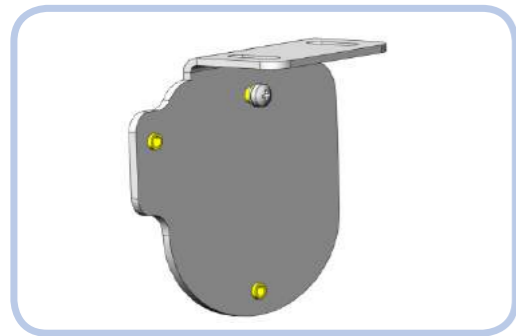
| NAV NO. | DESCRIPTION | FINISH | UNIT |
|---------|---|--------|---------|
| 5353 | Standard Spring Cassette | N/A | £164.35 |
| 5354 | OPH (opposite hand) spring cassette | N/A | £167.35 |
| 5355 | Short spring cassette (standard position) | N/A | £184.65 |
| 5356 | Short OPH (opposite hand) spring cassette | N/A | £178.05 |

OPH spring cassette position →



← Standard spring cassette position

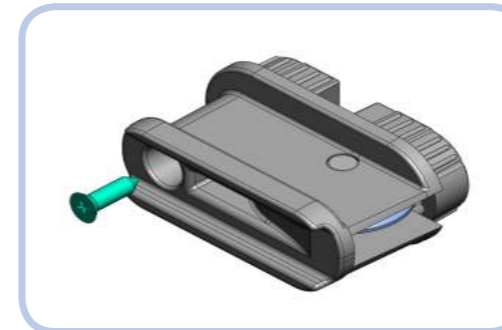
TESS™ 120



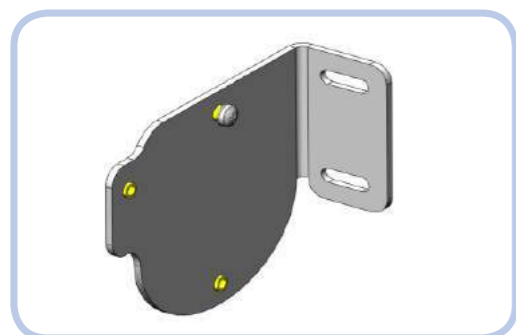
| NAV NO. | DESCRIPTION | FINISH | UNIT |
|---------|-----------------------------|--------|--------|
| 4968 | Top fix cheek plate assy LH | White | £38.65 |
| 4969 | Top fix cheek plate assy RH | White | £38.65 |
| 5007 | Top fix cheek plate assy LH | Mill | £38.65 |
| 5008 | Top fix cheek plate assy RH | Mill | £38.65 |



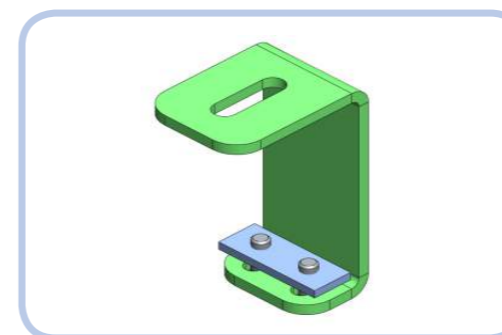
| NAV NO. | DESCRIPTION | FINISH | UNIT |
|---------|-----------------------|--------|--------|
| 5497 | Return pulley assy LH | Black | £16.05 |
| 5498 | Return pulley assy RH | Black | £16.05 |



| NAV NO. | DESCRIPTION | FINISH | UNIT |
|---------|-------------------------|--------|--------|
| 5499 | Hembar end caps/assy LH | Black | £13.10 |
| 5500 | Hembar end caps/assy RH | Black | £13.10 |

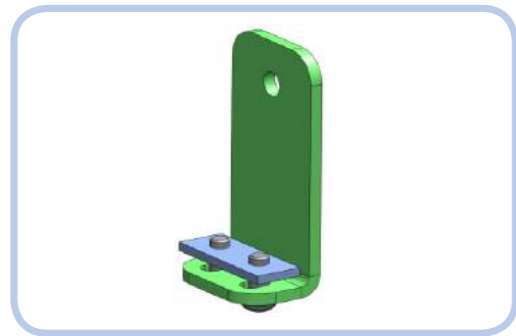


| NAV NO. | DESCRIPTION | FINISH | UNIT |
|---------|------------------------------|--------|--------|
| 4970 | Back fix cheek plate assy LH | White | £40.75 |
| 4971 | Back fix cheek plate assy RH | White | £40.75 |
| 5011 | Back fix cheek plate assy LH | Mill | £40.75 |
| 5012 | Back fix cheek plate assy RH | Mill | £40.75 |

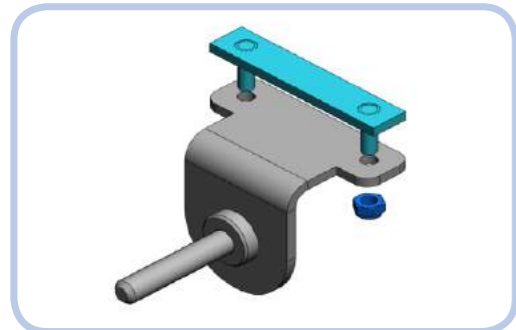


| NAV NO. | DESCRIPTION | FINISH | UNIT |
|---------|--|--------|--------|
| 4974 | Side guide mounting bracket – top fix inclusive of fixings | White | £19.85 |
| 5019 | Side guide mounting bracket – top fix inclusive of fixings | Mill | £19.85 |

TESS™ 120



| NAV NO. | DESCRIPTION | FINISH | UNIT |
|---------|---|--------|--------|
| 4973 | Side guide mounting bracket assy - inclusive of fixings | White | £17.55 |
| 5017 | Side guide mounting bracket assy - inclusive of fixings | Mill | £17.55 |



| NAV NO. | DESCRIPTION | FINISH | UNIT |
|---------|--|--------|--------|
| 5501 | Relieving roller mounting bracket s/assy | Mill | £23.35 |
| 5502 | Relieving roller mounting bracket s/assy | White | £23.35 |



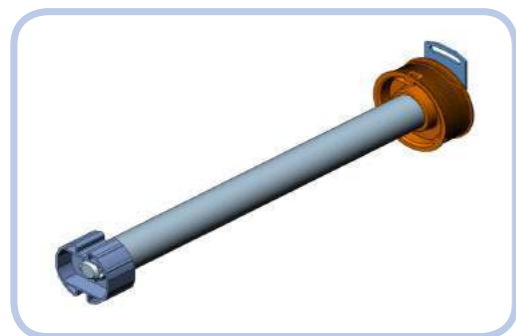
| NAV NO. | DESCRIPTION | FINISH | UNIT |
|---------|---|--------|---------|
| 7841 | Wire rope 1.2mm core 1.5 OD - 50 metre | N/A | £52.55 |
| 4376 | Wire rope 1.2mm core 1.5 OD - 100 metre | N/A | £104.70 |
| 4377 | Wire rope 1.2mm core 1.5 OD - 200 metre | N/A | £209.30 |
| 4378 | Wire rope 1.2mm core 1.5 OD - 500 metre | N/A | £523.35 |

TESS™ 120

Motor assemblies and spring cassette assemblies

MOTOR ASSEMBLIES

- Motors are supplied as a complete assembly with cable drum and mounting adaptors for quick and easy replacement.
- Motors that were installed on TESS™ systems before 2002 may require additional adaptors so please inform our sales department when placing your order (refer to technical document TD56).



| NAV NO. | DESCRIPTION | FINISH | UNIT |
|---------|--|--------|---------|
| 5357 | Type 5 motor and bracket s/assy – Standard motor 230V AC | N/A | £162.50 |
| 5358 | Type 5 motor and bracket s/assy – Standard motor 110V AC | N/A | £187.20 |
| 5359 | Type 5 motor and bracket s/assy – Radio motor 230V AC | N/A | £245.45 |
| 5360 | Type 5 motor and bracket s/assy – Radio motor 110V AC | N/A | £232.60 |



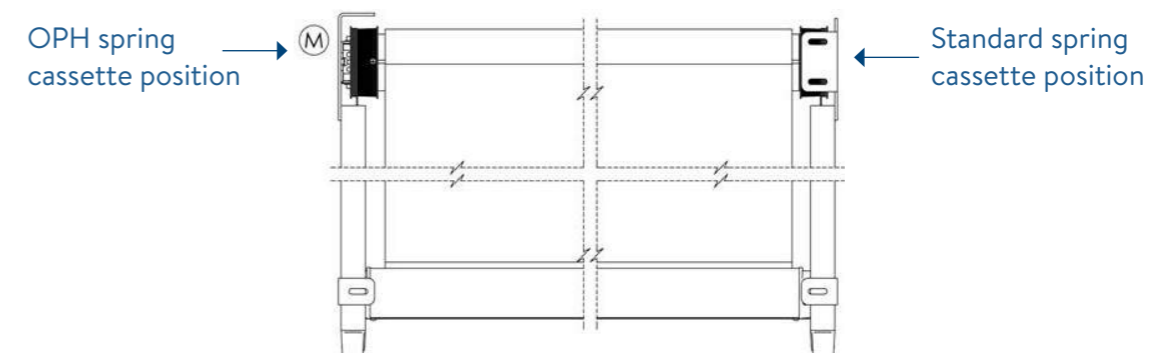
| NAV NO. | DESCRIPTION | FINISH | UNIT |
|---------|---|--------|--------|
| 6745 | Motor cable spool s/assy | Black | £33.65 |
| 7865 | To be supplied with replacement Simu Motor Limit Collar | Black | £7.40 |

SPRING CASSETTE ASSEMBLIES

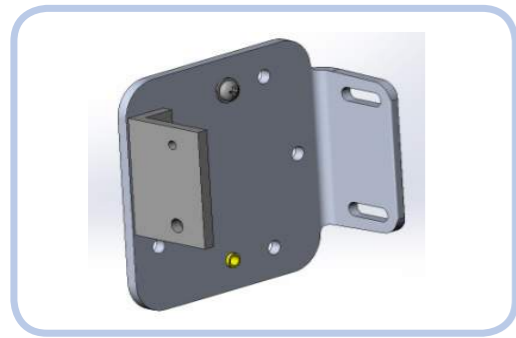
- Tension springs are only supplied as a complete assembly for quick and easy replacement.
- Four variations of spring cassette are used. They are not interchangeable.
 - Standard and OPH spring cassettes are used on TESS™ systems above 1080mm wide
 - Short and short OPH spring cassettes are only used on systems that are below 1080 wide AND less than 3000mm draw.
 - Please refer to diagram below for standard and OPH spring cassette positions. For identification the OPH spring cassettes are sprayed white on the coils.



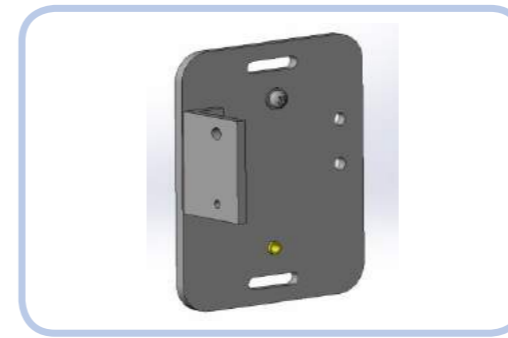
| NAV NO. | DESCRIPTION | FINISH | UNIT |
|---------|---|--------|---------|
| 5353 | Standard Spring Cassette | N/A | £164.35 |
| 5354 | OPH (opposite hand) spring cassette | N/A | £167.25 |
| 5355 | Short spring cassette (standard position) | N/A | £184.65 |
| 5356 | Short OPH (opposite hand) spring cassette | N/A | £178.05 |



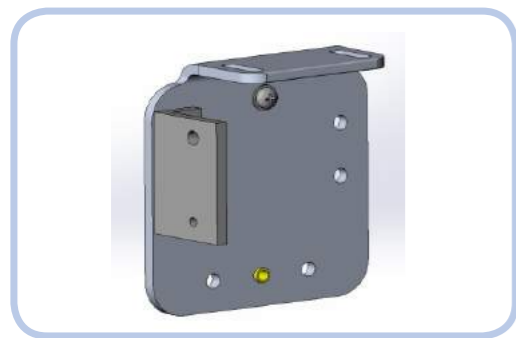
TESS™ 140



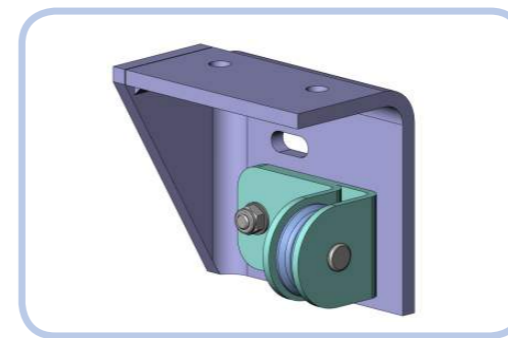
| NAV NO. | DESCRIPTION | FINISH | UNIT |
|---------|----------------------------|---------------|--------|
| 6764 | Back fix end plate assy LH | Mill | £28.40 |
| 6765 | Back fix end plate assy LH | White RAL9016 | £28.40 |
| 6766 | Back fix end plate assy RH | Mill | £28.40 |
| 6767 | Back fix end plate assy RH | White RAL9016 | £28.40 |



| NAV NO. | DESCRIPTION | FINISH | UNIT |
|---------|----------------------------|---------------|--------|
| 6760 | Side fix end plate assy LH | Mill | £25.70 |
| 6761 | Side fix end plate assy LH | White RAL9016 | £25.70 |
| 6762 | Side fix end plate assy RH | Mill | £25.70 |
| 6763 | Side fix end plate assy RH | White RAL9016 | £25.70 |

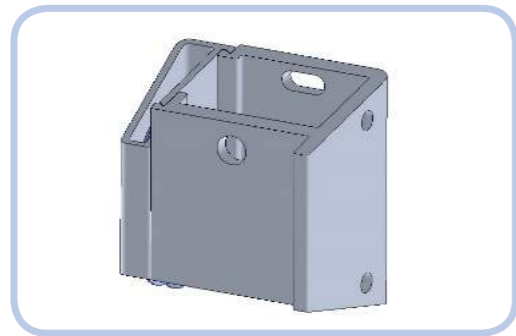


| NAV NO. | DESCRIPTION | FINISH | UNIT |
|---------|---------------------------|---------------|--------|
| 6768 | Top fix end plate assy LH | Mill | £27.50 |
| 6769 | Top fix end plate assy LH | White RAL9016 | £27.50 |
| 6770 | Top fix end plate assy RH | Mill | £27.50 |
| 6771 | Top fix end plate assy RH | White RAL9016 | £27.50 |



| NAV NO. | DESCRIPTION | FINISH | UNIT |
|---------|-------------------------------|---------------|--------|
| 4371 | Top fix return pulley assy LH | Mill | £50.60 |
| 4372 | Top fix return pulley assy LH | White RAL9016 | £50.60 |
| 4373 | Top fix return pulley assy RH | Mill | £50.60 |
| 4374 | Top fix return pulley assy RH | White RAL9016 | £50.60 |

TESS™ 140



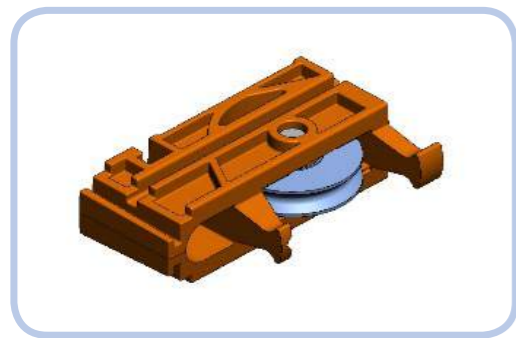
| NAV NO. | DESCRIPTION | FINISH | UNIT |
|---------|--------------------------------|---------------|--------|
| 7812 | Back/side fix return pulley LH | White RAL9016 | £52.40 |
| 8324 | Back/side fix return pulley RH | White RAL9016 | £52.40 |



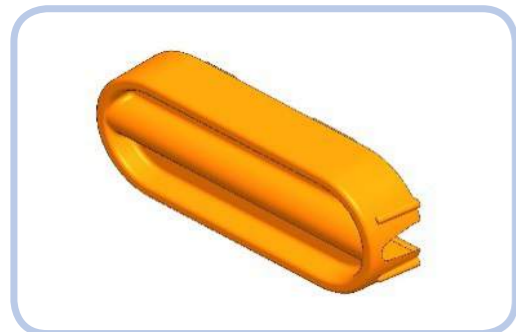
| NAV NO. | DESCRIPTION | FINISH | UNIT |
|---------|---------------------------------------|---------------|--------|
| 7258 | Back fix low profile return pulley LH | Mill | £26.05 |
| 7259 | Back fix low profile return pulley RH | Mill | £26.05 |
| 7260 | Back fix low profile return pulley LH | White RAL9016 | £26.05 |
| 7261 | Back fix low profile return pulley RH | White RAL9016 | £26.05 |

TESS™ 140

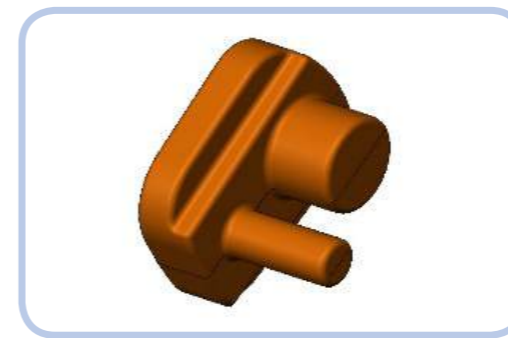
Parts for new hembar – from February 2018



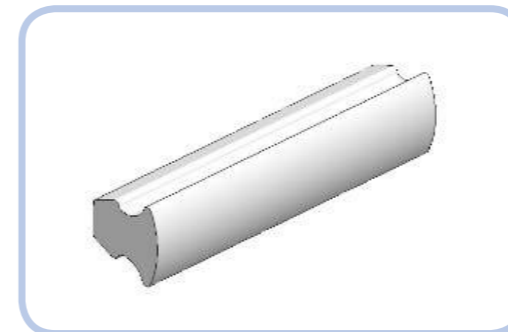
| NAV NO. | DESCRIPTION | FINISH | UNIT |
|---------|----------------------------|--------|--------|
| 8320 | Hembar pulley housing assy | Black | £12.70 |



| NAV NO. | DESCRIPTION | FINISH | UNIT |
|---------|----------------|--------|-------|
| 8224 | Hembar end cap | Black | £1.85 |
| 7387 | Hembar end cap | White | £1.85 |

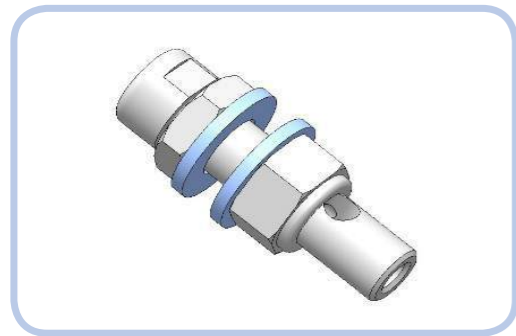


| NAV NO. | DESCRIPTION | FINISH | UNIT |
|---------|----------------------|--------|-------|
| 8286 | Hembar fabric spacer | Black | £0.60 |
| 7391 | Hembar fabric spacer | White | £0.60 |



| NAV NO. | DESCRIPTION | FINISH | UNIT |
|---------|--|--------|---------|
| 8289 | Hembar silicone finishing strip (price per 20m coil) | Black | £126.10 |
| 7390 | Hembar silicone finishing strip (price per 20m coil) | White | £127.30 |

TESS™ 140



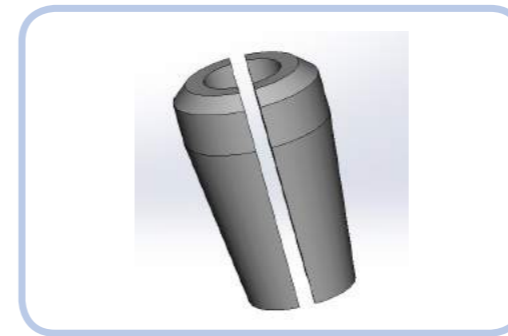
| NAV NO. | DESCRIPTION | FINISH | UNIT |
|---------|---------------------|--------|--------|
| 7840 | 5mm cable tensioner | N/A | £20.05 |

Sold individually



| NAV NO. | DESCRIPTION | FINISH | UNIT |
|---------|---|--------|---------|
| 7653 | Dia 5mm GD wire guide kit 3m length 30mm thread | N/A | £92.80 |
| 7654 | Dia 5mm GD wire guide kit 4.0m length 60mm thread | N/A | £102.30 |
| 8338 | Dia 5mm GD wire guide kit 6.5m length 60mm thread | N/A | £138.10 |

Sold as a pair



| NAV NO. | DESCRIPTION | FINISH | UNIT |
|---------|--------------------|--------|-------|
| 8340 | Guide cable collet | N/A | £6.70 |



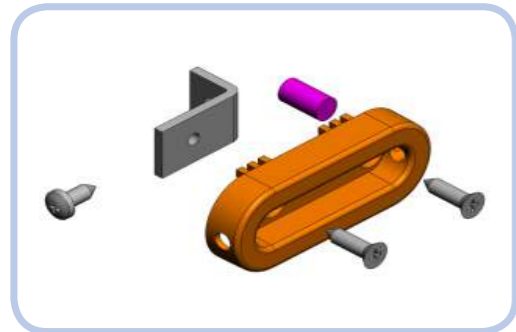
| NAV NO. | DESCRIPTION | FINISH | UNIT |
|---------|---|--------|---------|
| 7841 | Wire rope 1.2mm core 1.5 OD - 50 metre | N/A | £52.55 |
| 4376 | Wire rope 1.2mm core 1.5 OD - 100 metre | N/A | £104.70 |
| 4377 | Wire rope 1.2mm core 1.5 OD - 200 metre | N/A | £209.30 |
| 4378 | Wire rope 1.2mm core 1.5 OD - 500 metre | N/A | £523.35 |

TESS™ 140

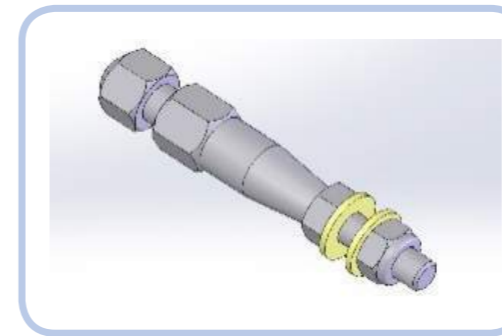
Parts for system – pre-February 2018



| NAV NO. | DESCRIPTION | FINISH | UNIT |
|---------|--------------------|--------|--------|
| 4435 | Hembar pulley assy | N/A | £16.15 |

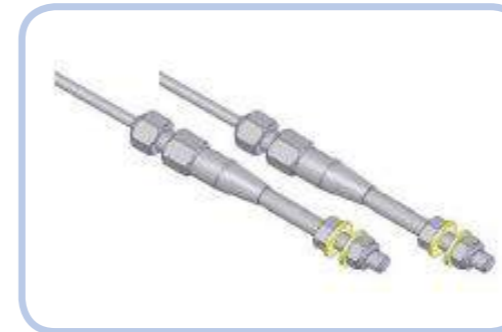


| NAV NO. | DESCRIPTION | FINISH | UNIT |
|---------|---------------------|--------|-------|
| 4433 | Hembar end cap assy | Black | £8.20 |



| NAV NO. | DESCRIPTION | FINISH | UNIT |
|---------|-------------------------------------|--------|--------|
| 4312 | Screwed thread end with 30mm thread | N/A | £34.10 |
| 4313 | Screwed thread end with 60mm thread | N/A | £40.55 |

Sold individually



| NAV NO. | DESCRIPTION | FINISH | UNIT |
|---------|--|--------|---------|
| 4305 | Dia 5mm Jakob wire guide kit 3m length 30mm thread | N/A | £105.70 |
| 6374 | Dia 5mm Jakob wire guide kit 4m length 60mm thread | N/A | £115.65 |
| 4306 | Dia 5mm Jakob wire guide kit 6.5m length 60mm thread | N/A | £145.50 |

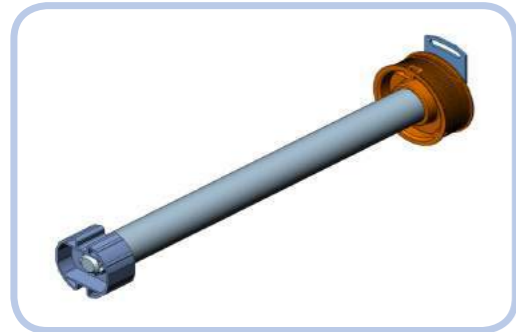
Sold as a pair

TESS™ 140

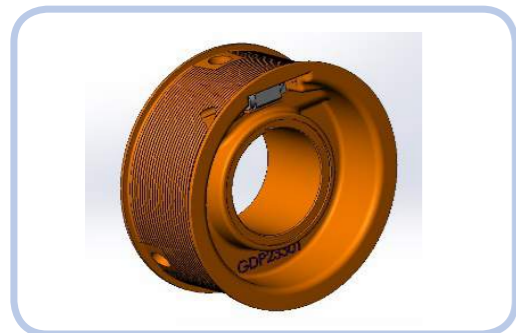
Motor assemblies and spring cassette assemblies

MOTOR ASSEMBLIES

- Motors are supplied as a complete assembly with cable drum and mounting adaptors for quick and easy replacement.
- Motors that were installed on TESS™ systems before 2002 may require additional adaptors so please inform our sales department when placing your order (refer to technical document TD56).



| NAV NO. | DESCRIPTION | FINISH | UNIT |
|---------|--|--------|---------|
| 5357 | Type 5 motor and bracket s/assy – Standard motor 230V AC | N/A | £162.50 |
| 5358 | Type 5 motor and bracket s/assy – Standard motor 110V AC | N/A | £187.20 |
| 5359 | Type 5 motor and bracket s/assy – Radio motor 230V AC | N/A | £245.45 |
| 5360 | Type 5 motor and bracket s/assy – Radio motor 110V AC | N/A | £232.60 |



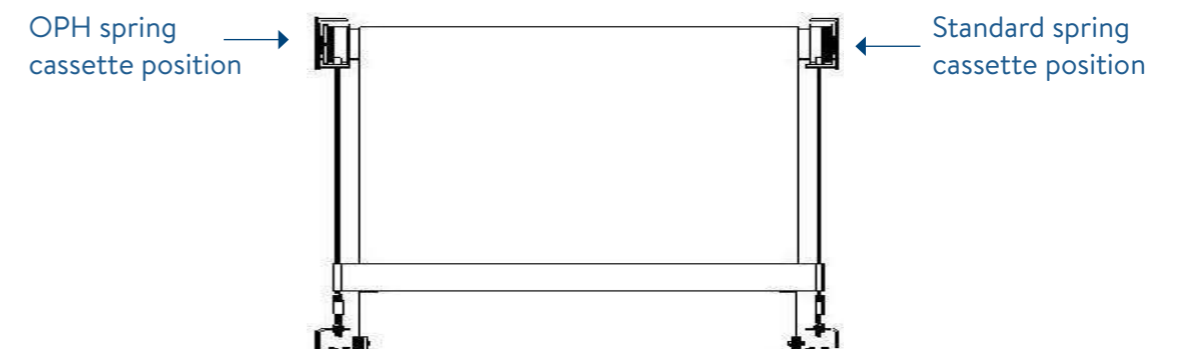
| NAV NO. | DESCRIPTION | FINISH | UNIT |
|---------|---|--------|--------|
| 6745 | Motor cable spool s/assy | Black | £33.65 |
| 7865 | To be supplied with replacement Simu Motor Limit Collar | Black | £7.40 |

SPRING CASSETTE ASSEMBLIES

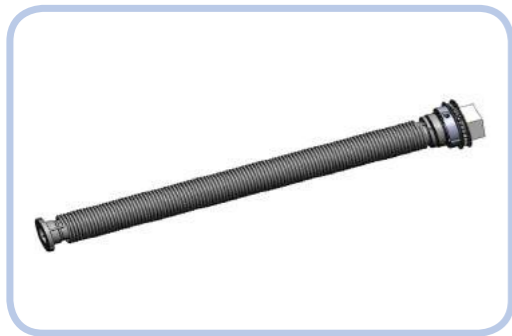
- Tension springs are only supplied as a complete assembly for quick and easy replacement.
- Four variations of spring cassette are used. They are not interchangeable.
 - Standard and OPH spring cassettes are used on TESS™ systems above 1080mm wide
 - Short and short OPH spring cassettes are only used on systems that are below 1080 wide AND less than 3000mm draw.
- Please refer to diagram below for standard and OPH spring cassette positions. For identification the OPH spring cassettes are sprayed white on the coils.



| NAV NO. | DESCRIPTION | FINISH | UNIT |
|---------|---|--------|---------|
| 5353 | Standard Spring Cassette | N/A | £164.35 |
| 5354 | OPH (opposite hand) spring cassette | N/A | £167.35 |
| 5355 | Short spring cassette (standard position) | N/A | £184.65 |
| 5356 | Short OPH (opposite hand) spring cassette | N/A | £178.05 |



TESS™ 200

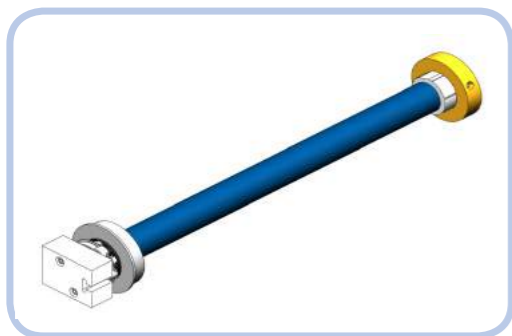


| NAV NO. | DESCRIPTION | FINISH | UNIT |
|---------|---------------------------|--------|---------|
| 3856 | T200 spring cassette assy | N/A | £350.55 |

Spring cassette only supplied as a complete assembly for quick and easy replacement.

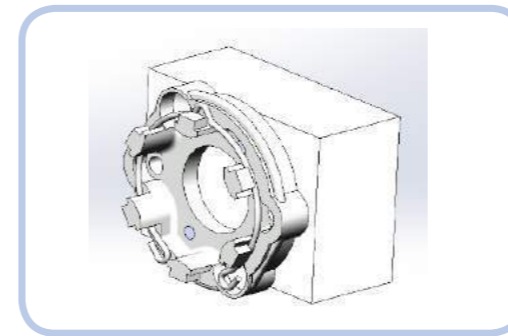


| NAV NO. | DESCRIPTION | FINISH | UNIT |
|---------|-------------------|--------|--------|
| 5531 | T200 gearbox assy | N/A | £97.15 |

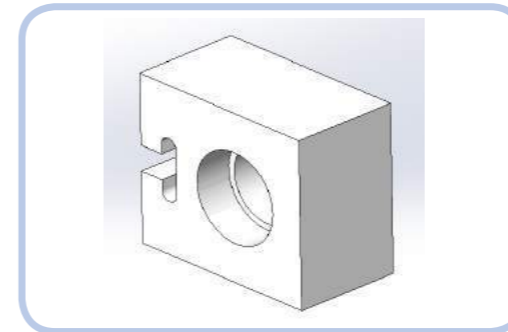


| NAV NO. | DESCRIPTION | FINISH | UNIT |
|---------|--------------------------|---------------|---------|
| 6049 | T200 Somfy motor assy | White RAL9016 | £340.30 |
| | LT50 Hipro manual limits | | |

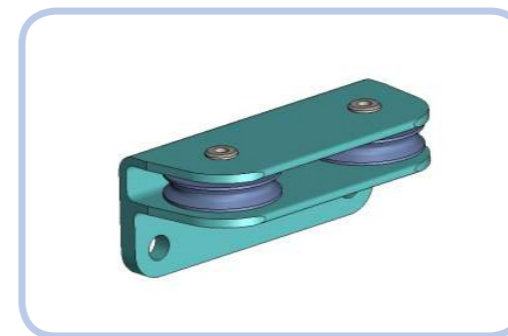
This is suitable as a direct replacement for a T200 system fitted with a Type 6 Simu Motor. The Type 6 Simu Motor is no longer available.



| NAV NO. | DESCRIPTION | FINISH | UNIT |
|---------|------------------------|--------|--------|
| 5102 | Motor mounting assy | N/A | £35.40 |
| | Somfy LT 50 motor only | | |

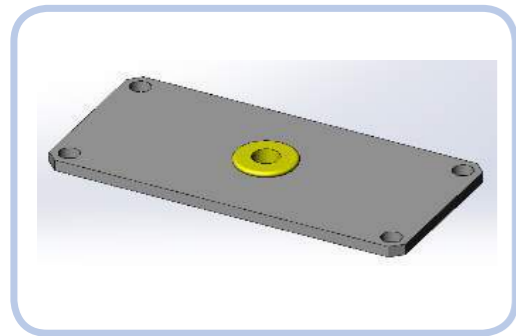


| NAV NO. | DESCRIPTION | FINISH | UNIT |
|---------|---------------|--------|--------|
| 3627 | Bearing block | N/A | £35.90 |
| 1142 | Ball bearing | N/A | |

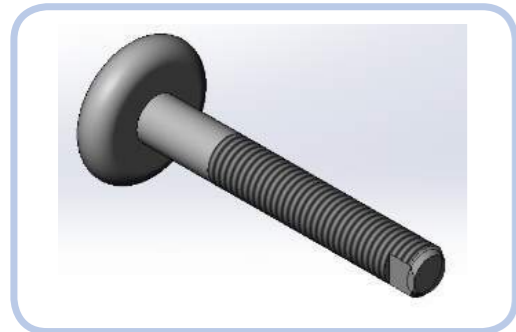


| NAV NO. | DESCRIPTION | FINISH | UNIT |
|---------|-------------------------|---------------|--------|
| 6653 | Twin return pulley assy | Mill | £27.45 |
| 6654 | Twin return pulley assy | White RAL9016 | £27.45 |

TESS™ 200



| NAV NO. | DESCRIPTION | FINISH | UNIT |
|---------|------------------------------|--------|-------|
| 7346 | End plate assy | Mill | £7.65 |
| 3016 | M4 x 16 screw (4 OFF REQ) | N/A | £0.70 |



| NAV NO. | DESCRIPTION | FINISH | UNIT |
|---------|----------------|--------|-------|
| 3642 | Adjuster screw | N/A | £4.85 |
| 2966 | M8 plain nut | N/A | |

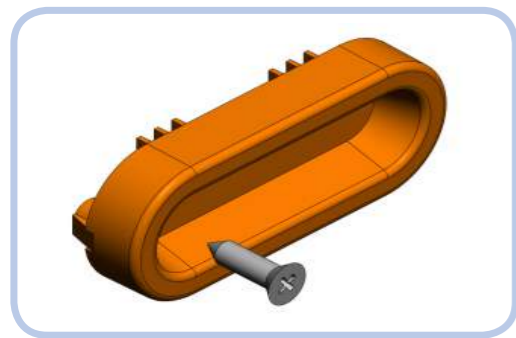


| NAV NO. | DESCRIPTION | FINISH | UNIT |
|---------|---|--------|--------|
| 3623 | 1/2" Nickel chain 79 Links (1m) + connecting link | N/A | £55.90 |
| 8308 | Connecting link | N/A | £4.90 |

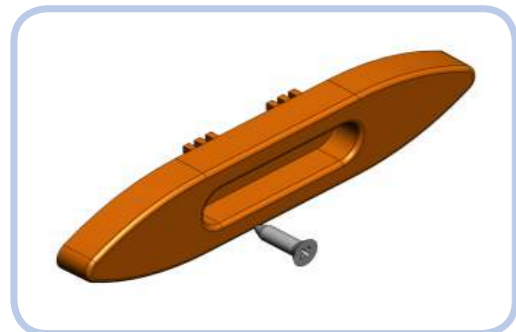


| NAV NO. | DESCRIPTION | FINISH | UNIT |
|---------|---|--------|---------|
| 4188 | Coated wire rope 2.0mm core 2.84mm OD | 100m | £107.45 |
| 4189 | Coated wire rope 2.0mm core 2.84mm OD | 200m | £214.90 |
| 4190 | Coated wire rope 2.0mm core 2.84mm OD | 500m | £537.15 |

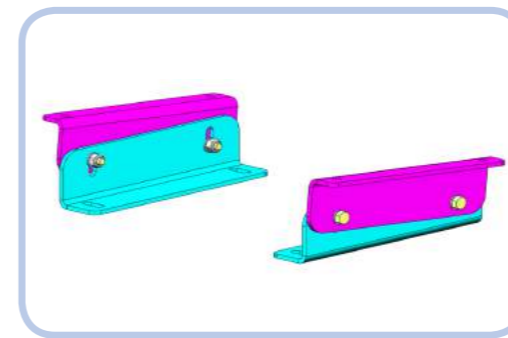
TESS™ 200



| NAV NO. | DESCRIPTION | FINISH | UNIT |
|---------|--------------------------------|--------|-------|
| 5493 | Hembar end cap s/assy standard | White | £3.40 |
| 5494 | Hembar end cap s/assy standard | Black | £3.40 |



| NAV NO. | DESCRIPTION | FINISH | UNIT |
|---------|----------------------------------|--------|-------|
| 5495 | Hembar end cap s/assy boat style | White | £3.40 |
| 5496 | Hembar end cap s/assy boat style | Black | £3.40 |



| NAV NO. | DESCRIPTION | FINISH | UNIT |
|---------|---------------------------|--------|--------|
| 5266 | Tess 200 standard mtg kit | Steel | £59.05 |

TESS™ 308

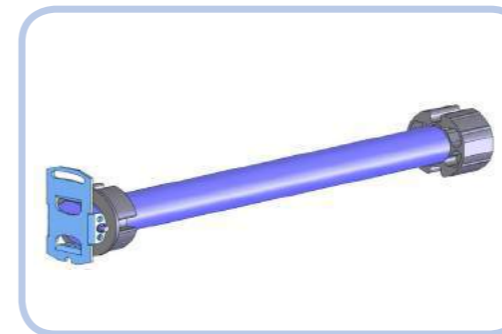


| NAV NO. | DESCRIPTION | FINISH | UNIT |
|---------|----------------------------|---------------|--------|
| 6928 | Mounting bracket universal | Mill | £19.25 |
| 6929 | Mounting bracket universal | White RAL9016 | £19.2 |

Specify either top or back fix at time of order

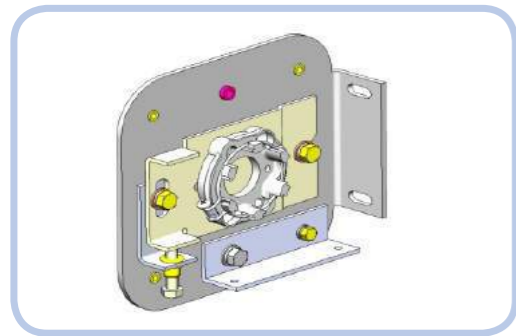
MOTOR ASSEMBLIES

- Motors are only supplied as a complete assembly with cable drum and mounting adaptors for quick and easy replacement.
- Motors that were installed on TESS™ systems before 2002 may require additional adaptors so please inform our sales department when placing your order.

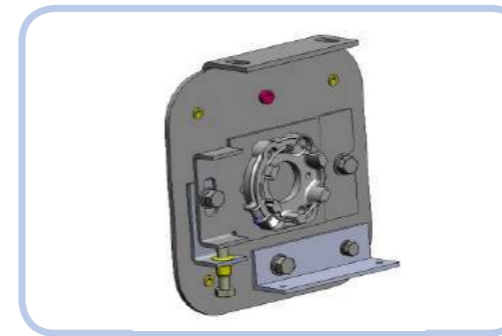


| NAV NO. | DESCRIPTION | FINISH | UNIT |
|---------|--|--------|---------|
| 4793 | Motor type 5 15Nm 17rpm manual limits | N/A | £150.90 |
| 4794 | Motor type 5 15Nm 17rpm radio HZ02 | N/A | £205.75 |
| 4795 | Motor type 5 15Nm 17rpm manual limits 120V | N/A | £193.85 |

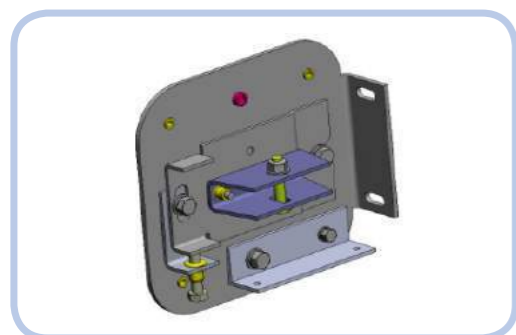
TESS™ 312



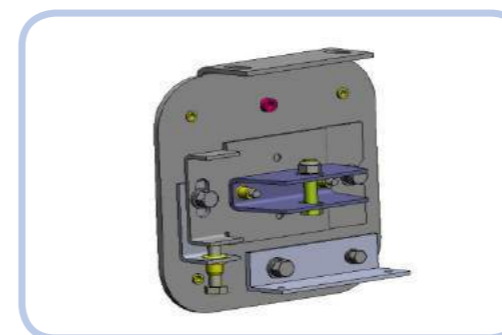
| NAV NO. | DESCRIPTION | FINISH | UNIT |
|---------|---|---------------|--------|
| 5952 | Back fix motor mounting bracket LH (guided) | Mill | £89.65 |
| 6675 | Back fix motor mounting bracket RH (guided) | Mill | £89.65 |
| 6676 | Back fix motor mounting bracket LH (guided) | White RAL9016 | £89.65 |
| 6677 | Back fix motor mounting bracket RH (guided) | White RAL9016 | £89.65 |



| NAV NO. | DESCRIPTION | FINISH | UNIT |
|---------|--|---------------|--------|
| 5979 | Top fix motor mounting bracket LH (guided) | Mill | £96.10 |
| 6685 | Top fix motor mounting bracket RH (guided) | Mill | £96.10 |
| 6686 | Top fix motor mounting bracket LH (guided) | White RAL9016 | £96.10 |
| 6687 | Top fix motor mounting bracket RH (guided) | White RAL9016 | £96.10 |



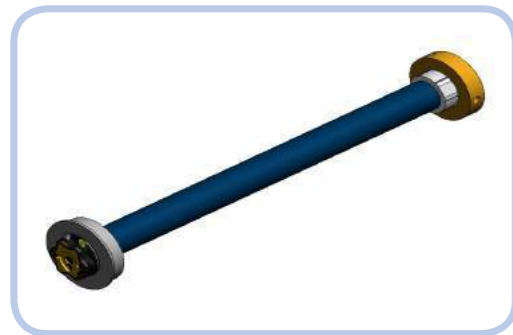
| NAV NO. | DESCRIPTION | FINISH | UNIT |
|---------|---|---------------|--------|
| 5953 | Back fix bobbin mtg bracket LH (guided) | Mill | £86.15 |
| 6679 | Back fix bobbin mtg bracket RH (guided) | Mill | £86.15 |
| 6680 | Back fix bobbin mtg bracket LH (guided) | White RAL9016 | £86.15 |
| 6681 | Back fix bobbin mtg bracket RH (guided) | White RAL9016 | £86.15 |



| NAV NO. | DESCRIPTION | FINISH | UNIT |
|---------|--|---------------|--------|
| 5980 | Top fix bobbin mtg bracket LH (guided) | Mill | £93.55 |
| 6682 | Top fix bobbin mtg bracket RH (guided) | Mill | £93.55 |
| 6683 | Top fix bobbin mtg bracket LH (guided) | White RAL9016 | £93.55 |
| 6684 | Top fix bobbin mtg bracket RH (guided) | White RAL9016 | £93.55 |

TESS™ 312

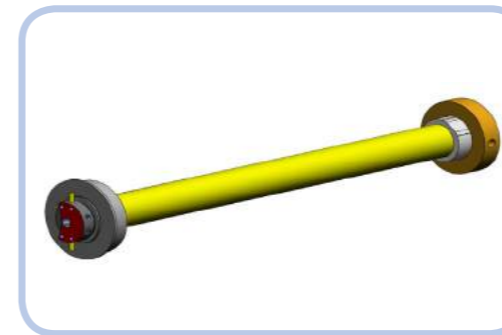
SOMFY LT50 MOTOR FITTED FROM JULY 2013



| NAV NO. | DESCRIPTION | FINISH | UNIT |
|---------|--|--------|---------|
| 5955 | Somfy LT50 35Nm 17rpm assy manual limits | N/A | £300.45 |

Motor assy only supplied as a complete assembly for quick and easy replacement.

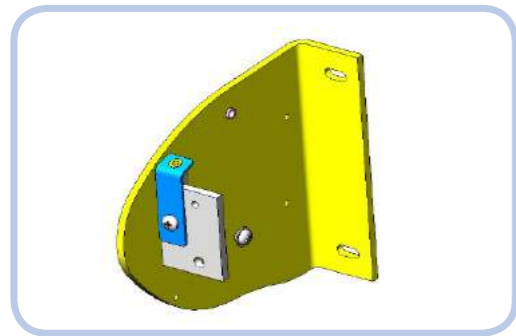
SIMU TYPE 5 MOTOR FITTED BETWEEN 2002 AND 2013



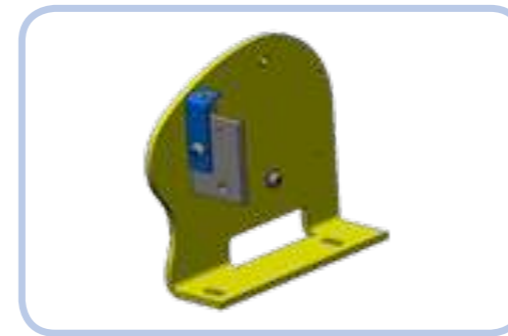
| NAV NO. | DESCRIPTION | FINISH | UNIT |
|---------|---|--------|---------|
| 5537 | Simu Type 5 30Nm 17rpm assy manual limits | N/A | £200.34 |
| 5599 | Simu Type 5 35Nm 17rpm Assy HZ02 Radio | N/A | £299.70 |

Motors are only supplied as a complete assembly with mounting adaptors for quick and easy replacement. For motor replacements on systems that were installed before 2002 please contact Guthrie Douglas

TESS™ 400



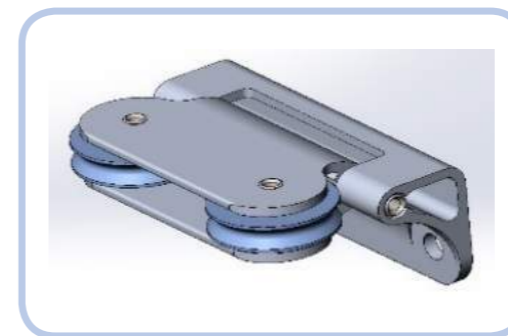
| NAV NO. | DESCRIPTION | FINISH | UNIT |
|---------|------------------------|---------------|---------|
| 8169 | Back fix plate assy LH | Mill | £110.55 |
| 7101 | Back fix plate assy LH | White RAL9016 | £110.55 |
| 8170 | Back fix plate assy RH | Mill | £110.55 |
| 7104 | Back fix plate assy RH | White RAL9016 | £110.55 |



| NAV NO. | DESCRIPTION | FINISH | UNIT |
|---------|--------------------------|---------------|--------|
| 8165 | Bottom fix plate assy LH | Mill | £86.35 |
| 7099 | Bottom fix plate assy LH | White RAL9016 | £86.35 |
| 8166 | Bottom fix plate assy RH | Mill | £86.35 |
| 7100 | Bottom fix plate assy RH | White RAL9016 | £86.35 |



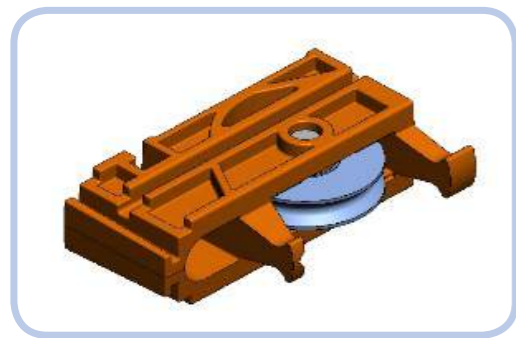
| NAV NO. | DESCRIPTION | FINISH | UNIT |
|---------|---|--------|---------|
| 7841 | Wire rope 1.2mm core 1.5 OD - 50 metre | N/A | £52.55 |
| 4376 | Wire rope 1.2mm core 1.5 OD - 100 metre | N/A | £104.70 |
| 4377 | Wire rope 1.2mm core 1.5 OD - 200 metre | N/A | £209.30 |
| 4378 | Wire rope 1.2mm core 1.5 OD - 500 metre | N/A | £523.35 |



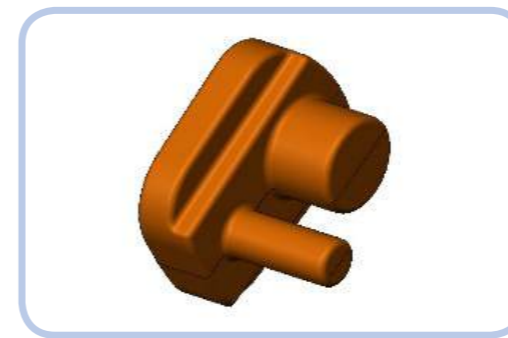
| NAV NO. | DESCRIPTION | FINISH | UNIT |
|---------|----------------------------------|---------------|--------|
| 7139 | Pivoting twin return pulley assy | Mill | £46.30 |
| 8211 | Pivoting twin return pulley assy | White RAL9016 | £46.30 |

TESS™ 400

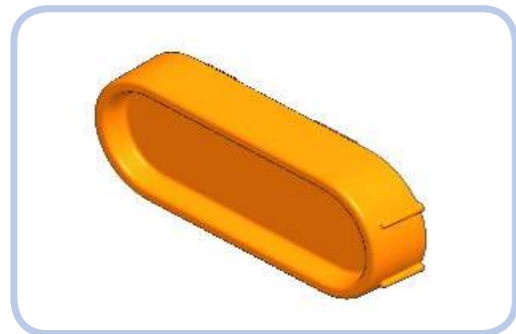
Parts for new hembar – from February 2018



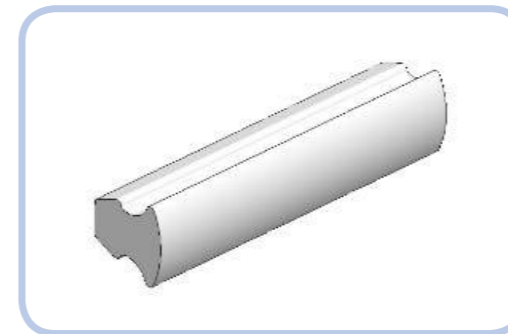
| NAV NO. | DESCRIPTION | FINISH | UNIT |
|---------|-----------------------------|--------|--------|
| 8320 | Hem bar pulley housing assy | Black | £12.70 |
| 3041 | Supply with fixing screw | | |



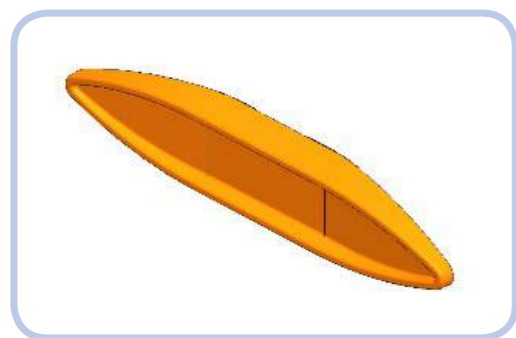
| NAV NO. | DESCRIPTION | FINISH | UNIT |
|---------|----------------------|--------|-------|
| 8295 | Hembar fabric spacer | Black | £0.60 |
| 7392 | Hembar fabric spacer | White | £0.60 |



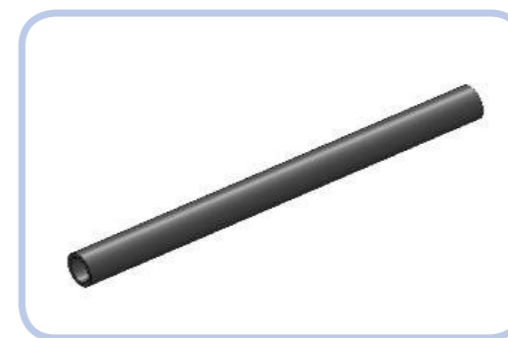
| NAV NO. | DESCRIPTION | FINISH | UNIT |
|---------|----------------|--------|-------|
| 8288 | Hembar end cap | Black | £3.40 |
| 7388 | Hembar end cap | White | £3.40 |



| NAV NO. | DESCRIPTION | FINISH | UNIT |
|---------|--|--------|---------|
| 8289 | Hembar silicone finishing strip (price per 20m coil) | Black | £127.30 |
| 7390 | Hembar silicone finishing strip (price per 20m coil) | White | £127.30 |



| NAV NO. | DESCRIPTION | FINISH | UNIT |
|---------|-------------------------|--------|-------|
| 8287 | Hembar end cap r/roller | Black | £4.35 |
| 7394 | Hembar end cap r/roller | White | £4.35 |



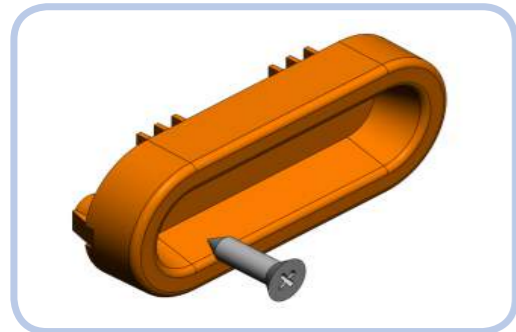
| NAV NO. | DESCRIPTION | FINISH | UNIT |
|---------|---|--------|--------|
| 5689 | Hembar guide cable tube (price per 4m length) | Black | £13.60 |

TESS™ 400

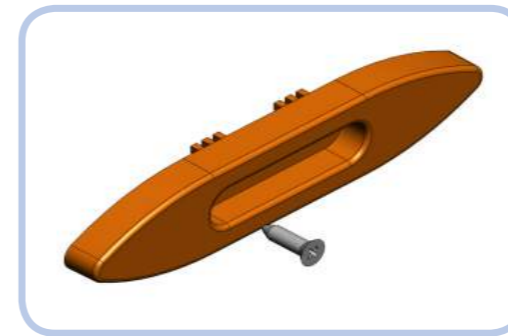
Parts for hembar – pre-February 2018



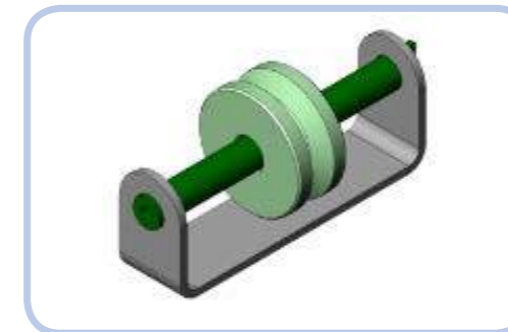
| NAV NO. | DESCRIPTION | FINISH | UNIT |
|---------|--------------------|--------|--------|
| 4435 | Hembar pulley assy | N/A | £16.15 |



| NAV NO. | DESCRIPTION | FINISH | UNIT |
|---------|--------------------------------|--------|-------|
| 5493 | Hembar end cap s/assy standard | White | £3.40 |
| 5494 | Hembar end cap s/assy standard | Black | £3.40 |



| NAV NO. | DESCRIPTION | FINISH | UNIT |
|---------|----------------------------------|--------|-------|
| 5495 | Hembar end cap s/assy boat style | White | £3.40 |
| 5496 | Hembar end cap s/assy boat style | Black | £3.40 |



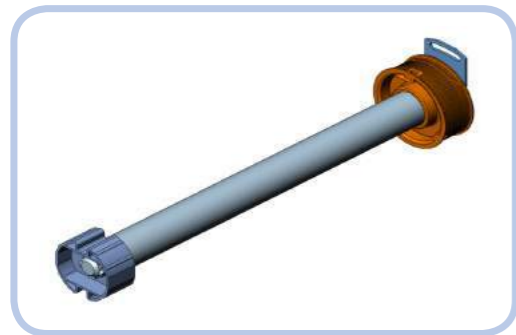
| NAV NO. | DESCRIPTION | FINISH | UNIT |
|---------|-----------------------|--------|--------|
| 4620 | Diverting pulley assy | N/A | £33.00 |

TESS™ 400

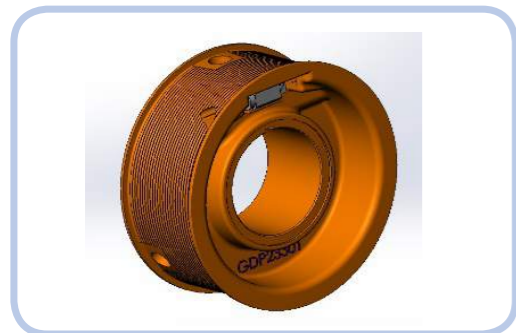
Motor assemblies and spring cassette assemblies

MOTOR ASSEMBLIES

- Motors are supplied as a complete assembly with cable drum and mounting adaptors for quick and easy replacement.
- Motors that were installed on TESS™ systems before 2002 may require additional adaptors so please inform our sales department when placing your order (refer to technical document TD56).



| NAV NO. | DESCRIPTION | FINISH | UNIT |
|---------|--|--------|---------|
| 5357 | Type 5 motor and bracket s/assy – Standard motor 230V AC | N/A | £162.50 |
| 5358 | Type 5 motor and bracket s/assy – Standard motor 110V AC | N/A | £187.20 |
| 5359 | Type 5 motor and bracket s/assy – Radio motor 230V AC | N/A | £245.45 |
| 5360 | Type 5 motor and bracket s/assy – Radio motor 110V AC | N/A | £232.60 |



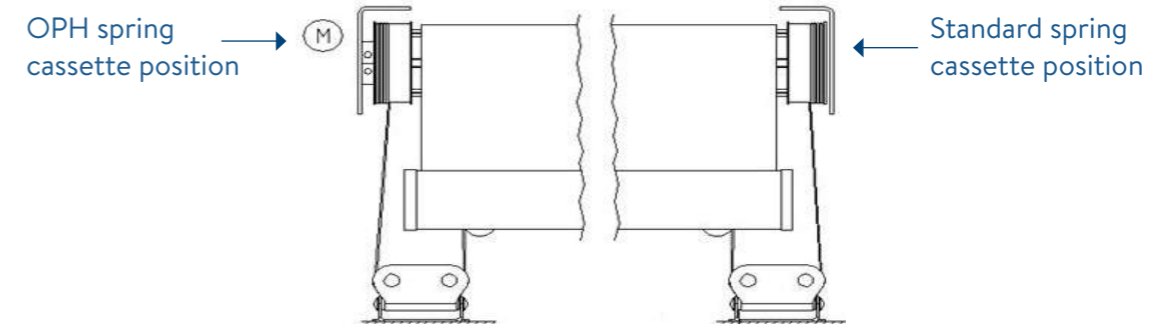
| NAV NO. | DESCRIPTION | FINISH | UNIT |
|---------|---|--------|--------|
| 6745 | Motor cable spool s/assy | Black | £33.65 |
| 7865 | To be supplied with replacement Simu Motor Limit Collar | Black | £7.40 |

SPRING CASSETTE ASSEMBLIES

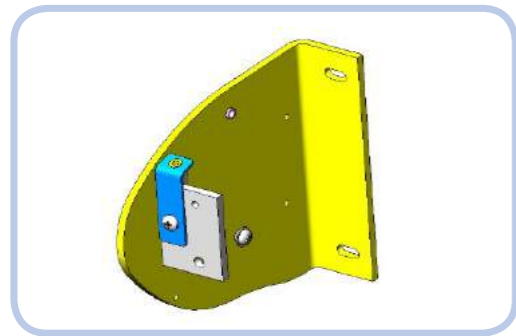
- Tension springs are only supplied as a complete assembly for quick and easy replacement.
- Four variations of spring cassette are used. They are not interchangeable.
 - Standard and OPH spring cassettes are used on TESS™ systems above 1080mm wide
 - Short and short OPH spring cassettes are only used on systems that are below 1080 wide AND less than 3000mm draw.
 - Please refer to diagram below for standard and OPH spring cassette positions. For identification the OPH spring cassettes are sprayed white on the coils.



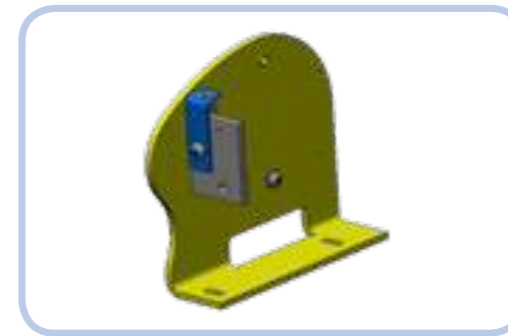
| NAV NO. | DESCRIPTION | FINISH | UNIT |
|---------|---|--------|---------|
| 5353 | Standard Spring Cassette | N/A | £164.35 |
| 5354 | OPH (opposite hand) spring cassette | N/A | £167.35 |
| 5355 | Short spring cassette (standard position) | N/A | £184.65 |
| 5356 | Short OPH (opposite hand) spring cassette | N/A | £178.05 |



TESS™ 401



| NAV NO. | DESCRIPTION | FINISH | UNIT |
|---------|------------------------|---------------|---------|
| 8169 | Back fix plate assy LH | Mill | £110.55 |
| 7101 | Back fix plate assy LH | White RAL9016 | £110.55 |
| 8170 | Back fix plate assy RH | Mill | £110.55 |
| 7104 | Back fix plate assy RH | White RAL9016 | £110.55 |



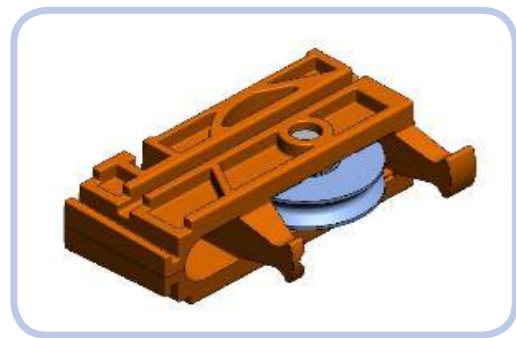
| NAV NO. | DESCRIPTION | FINISH | UNIT |
|---------|--------------------------|---------------|--------|
| 8165 | Bottom fix plate assy LH | Mill | £86.35 |
| 7099 | Bottom fix plate assy LH | White RAL9016 | £86.35 |
| 8166 | Bottom fix plate assy RH | Mill | £86.35 |
| 7100 | Bottom fix plate assy RH | White RAL9016 | £86.35 |



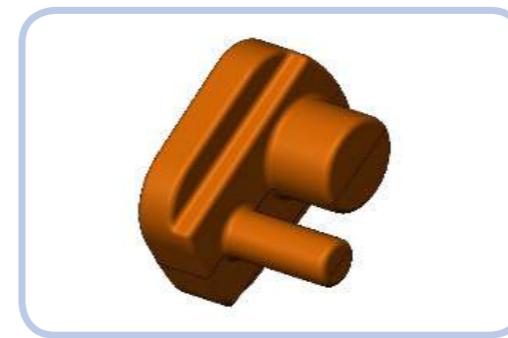
| NAV NO. | DESCRIPTION | FINISH | UNIT |
|---------|---|--------|---------|
| 7841 | Wire rope 1.2mm core 1.5 OD - 50 metre | N/A | £52.55 |
| 4376 | Wire rope 1.2mm core 1.5 OD - 100 metre | N/A | £104.70 |
| 4377 | Wire rope 1.2mm core 1.5 OD - 200 metre | N/A | £209.30 |
| 4378 | Wire rope 1.2mm core 1.5 OD - 500 metre | N/A | £523.35 |

TESS™ 401

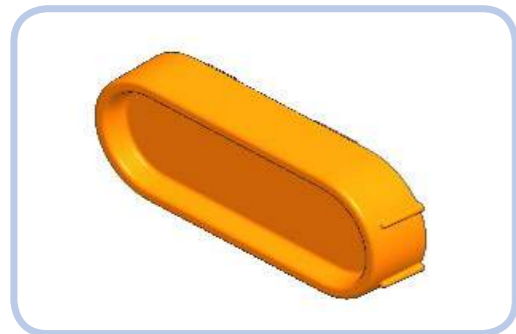
Parts for new hembar – from February 2018



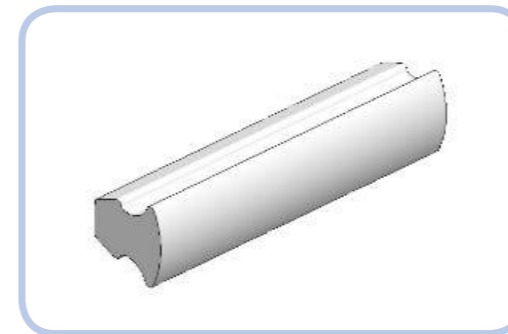
| NAV NO. | DESCRIPTION | FINISH | UNIT |
|---------|----------------------------|--------|--------|
| 8320 | Hembar pulley housing assy | Black | £12.70 |
| 3041 | Supply with fixing screw | | |



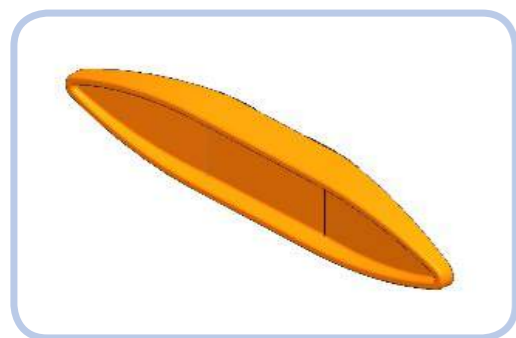
| NAV NO. | DESCRIPTION | FINISH | UNIT |
|---------|-----------------------|--------|-------|
| 8295 | Hembar fabric spacer | Black | £0.60 |
| 7392 | Hem bar fabric spacer | White | £0.60 |



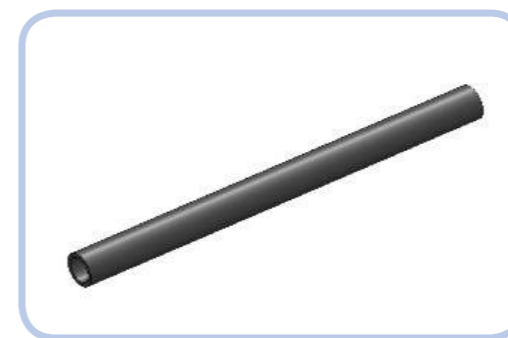
| NAV NO. | DESCRIPTION | FINISH | UNIT |
|---------|----------------|--------|-------|
| 8288 | Hembar end cap | Black | £3.40 |
| 7388 | Hembar end cap | White | £3.40 |



| NAV NO. | DESCRIPTION | FINISH | UNIT |
|---------|--|--------|---------|
| 8289 | Hembar silicone finishing strip (price per 20m coil) | Black | £127.30 |
| 7390 | Hembar silicone finishing strip (price per 20m coil) | White | £127.30 |



| NAV NO. | DESCRIPTION | FINISH | UNIT |
|---------|-------------------------|--------|-------|
| 8287 | Hembar end cap r/roller | Black | £4.35 |
| 7394 | Hembar end cap r/roller | White | £4.35 |



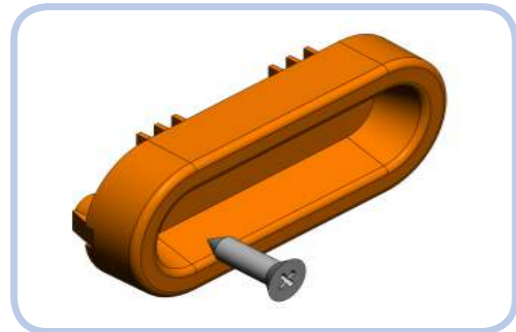
| NAV NO. | DESCRIPTION | FINISH | UNIT |
|---------|---|--------|--------|
| 5689 | Hembar guide cable tube (price per 4m length) | Black | £13.60 |

TESS™ 401

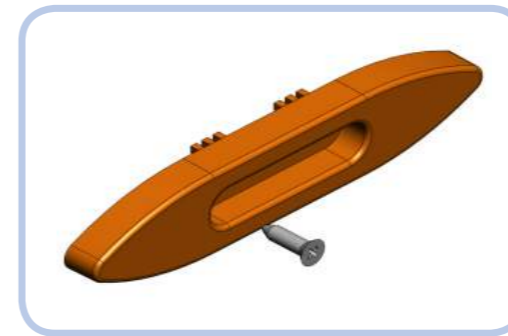
Parts for hembar – pre-February 2018



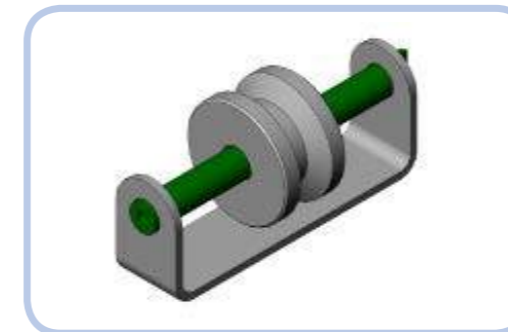
| NAV NO. | DESCRIPTION | FINISH | UNIT |
|---------|--------------------|--------|--------|
| 4435 | Hembar pulley assy | N/A | £16.15 |



| NAV NO. | DESCRIPTION | FINISH | UNIT |
|---------|--------------------------------|--------|-------|
| 5493 | Hembar end cap s/assy standard | White | £3.40 |
| 5494 | Hembar end cap s/assy standard | Black | £3.40 |



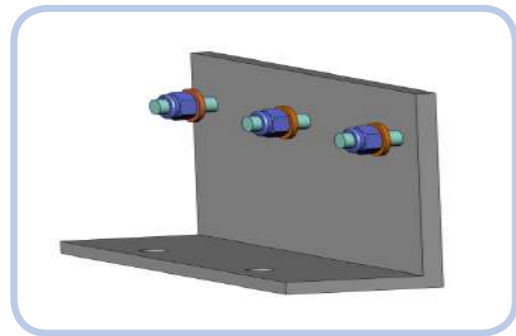
| NAV NO. | DESCRIPTION | FINISH | UNIT |
|---------|----------------------------------|--------|-------|
| 5495 | Hembar end cap s/assy boat style | White | £3.40 |
| 5496 | Hembar end cap s/assy boat style | Black | £3.40 |



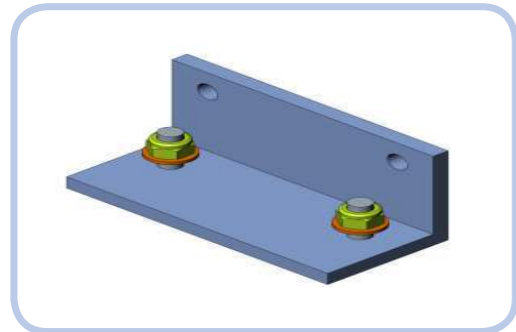
| NAV NO. | DESCRIPTION | FINISH | UNIT |
|---------|-----------------------|--------|--------|
| 4620 | Diverting pulley assy | N/A | £33.00 |

TESS™ 401

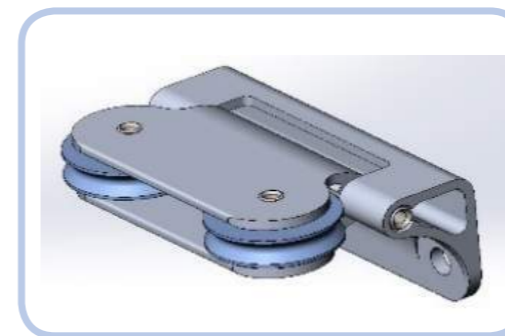
Parts for hembar – pre-February 2018



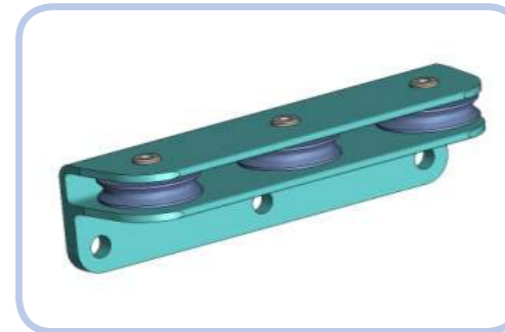
| NAV NO. | DESCRIPTION | FINISH | UNIT |
|---------|---|---------------|--------|
| 3933 | Triple return pulley mounting bracket assy 102x50 | Mill | £13.60 |
| 3934 | Triple return pulley mounting bracket assy 102x50 | White RAL9016 | £13.60 |



| NAV NO. | DESCRIPTION | FINISH | UNIT |
|---------|--|---------------|--------|
| 3772 | Twin return pulley mounting bracket assy 50x50 | Mill | £11.50 |
| 3773 | Twin return pulley mounting bracket assy 50x50 | White RAL9016 | £11.50 |



| NAV NO. | DESCRIPTION | FINISH | UNIT |
|---------|----------------------------------|---------------|--------|
| 7139 | Pivoting twin return pulley assy | Mill | £46.30 |
| 8211 | Pivoting twin return pulley assy | White RAL9016 | £46.30 |



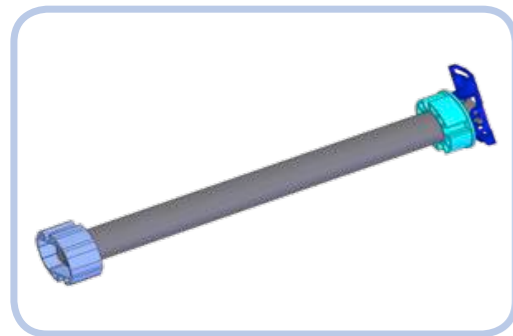
| NAV NO. | DESCRIPTION | FINISH | UNIT |
|---------|---------------------------|---------------|--------|
| 6655 | Triple return pulley assy | Mill | £35.85 |
| 6656 | Triple return pulley assy | White RAL9016 | £35.85 |

TESS™ 401

Motor assemblies and spring cassette assemblies

MOTOR ASSEMBLIES

- Motors are only supplied as a complete assembly with cable drum and mounting adaptors for quick and easy replacement.
- Motors that were installed on TESS™ systems before 2002 may require additional adaptors so please inform our sales department when placing your order (refer to technical document TD56).



| NAV NO. | DESCRIPTION | FINISH | UNIT |
|---------|---|--------|---------|
| 4793 | Standard wired motor assembly – 230V AC | N/A | £150.90 |
| 4794 | Radio motor assembly – 230V AC | N/A | £205.75 |
| 4795 | Standard wired motor assembly – 110V AC | N/A | £193.85 |

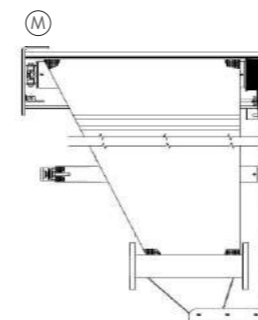
SPRING CASSETTE ASSEMBLIES

- Tension springs are only supplied as a complete assembly for quick and easy replacement.
- Four variations of spring cassette are used. They are not interchangeable.
 - Standard and OPH spring cassettes are used on TESS™ systems above 1080mm wide
 - Short and short OPH spring cassettes are only used on systems that are below 1080 wide AND less than 3000mm draw.
- Please refer to diagram below for standard and OPH spring cassette positions. For identification the OPH spring cassettes are sprayed white on the coils.



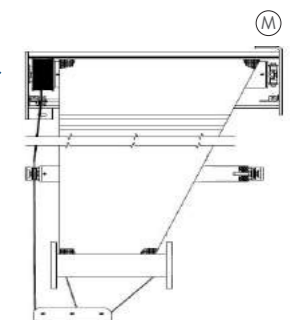
*Please specify when ordering that spring cassette is for TESS™ 401

| NAV NO. | DESCRIPTION | FINISH | UNIT |
|---------|---|--------|---------|
| 5353* | Standard spring cassette | N/A | £164.35 |
| 5354* | OPH (opposite hand) spring cassette | N/A | £167.35 |
| 5355* | Short spring cassette (standard position) | N/A | £184.65 |
| 5356* | Short OPH (opposite hand) spring cassette | N/A | £178.05 |
| 3447 | 1.2 mm copper end stop | N/A | £1.00 |

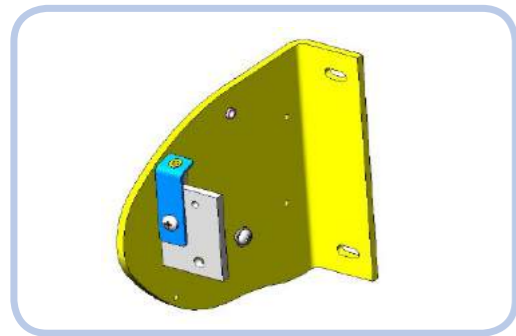


Standard spring cassette position

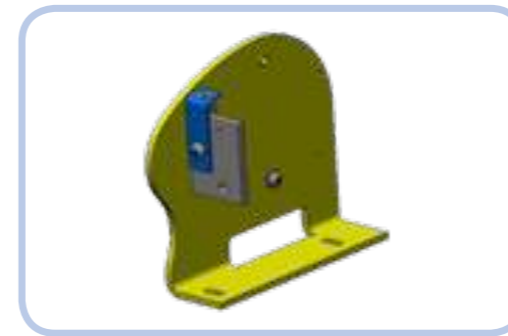
OPH spring cassette position



TESS™ 402



| NAV NO. | DESCRIPTION | FINISH | UNIT |
|---------|------------------------|---------------|---------|
| 8169 | Back fix plate assy LH | Mill | £110.55 |
| 7101 | Back fix plate assy LH | White RAL9016 | £110.55 |
| 8170 | Back fix plate assy RH | Mill | £110.55 |
| 7104 | Back fix plate assy RH | White RAL9016 | £110.55 |



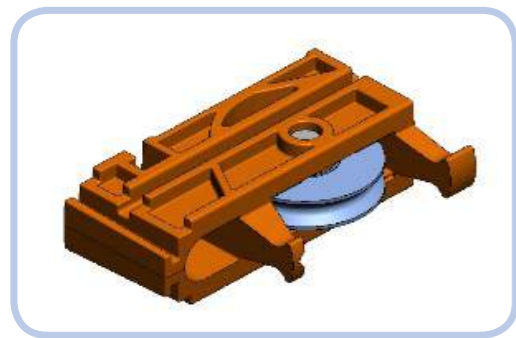
| NAV NO. | DESCRIPTION | FINISH | UNIT |
|---------|--------------------------|---------------|--------|
| 8165 | Bottom fix plate assy LH | Mill | £86.35 |
| 7099 | Bottom fix plate assy LH | White RAL9016 | £86.35 |
| 8166 | Bottom fix plate assy RH | Mill | £86.35 |
| 7100 | Bottom fix plate assy RH | White RAL9016 | £86.35 |



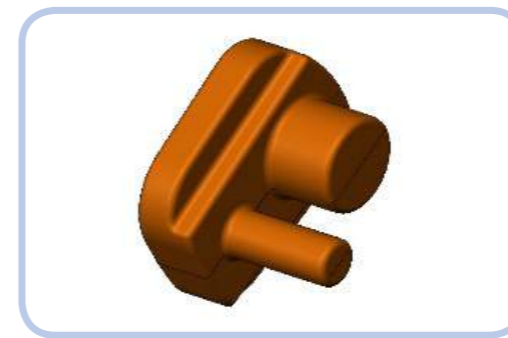
| NAV NO. | DESCRIPTION | FINISH | UNIT |
|---------|---|--------|---------|
| 7841 | Wire rope 1.2mm core 1.5 OD - 50 metre | N/A | £52.55 |
| 4376 | Wire rope 1.2mm core 1.5 OD - 100 metre | N/A | £104.70 |
| 4377 | Wire rope 1.2mm core 1.5 OD - 200 metre | N/A | £209.30 |
| 4378 | Wire rope 1.2mm core 1.5 OD - 500 metre | N/A | £523.35 |

TESS™ 402

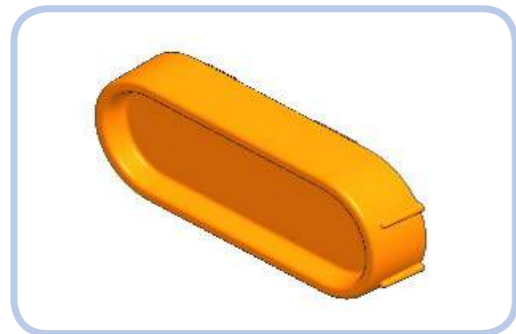
Parts for new hembar – from February 2018



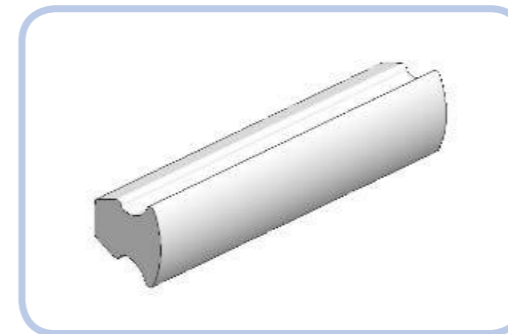
| NAV NO. | DESCRIPTION | FINISH | UNIT |
|---------|----------------------------|--------|--------|
| 8320 | Hembar pulley housing assy | Black | £12.70 |
| 3041 | Supply with fixing screw | | |



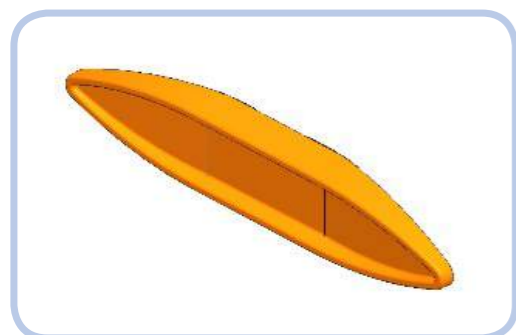
| NAV NO. | DESCRIPTION | FINISH | UNIT |
|---------|----------------------|--------|-------|
| 8295 | Hembar fabric spacer | Black | £0.60 |
| 7392 | Hembar fabric spacer | White | £0.60 |



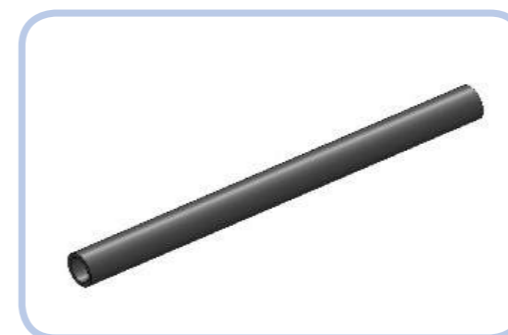
| NAV NO. | DESCRIPTION | FINISH | UNIT |
|---------|----------------|--------|-------|
| 8288 | Hembar end cap | Black | £3.40 |
| 7388 | Hembar end cap | White | £3.40 |



| NAV NO. | DESCRIPTION | FINISH | UNIT |
|---------|--|--------|---------|
| 8289 | Hembar silicone finishing strip (price per 20m coil) | Black | £127.30 |
| 7390 | Hembar silicone finishing strip (price per 20m coil) | White | £127.30 |



| NAV NO. | DESCRIPTION | FINISH | UNIT |
|---------|-------------------------|--------|-------|
| 8287 | Hembar end cap r/roller | Black | £4.35 |
| 7394 | Hembar end cap r/roller | White | £4.35 |



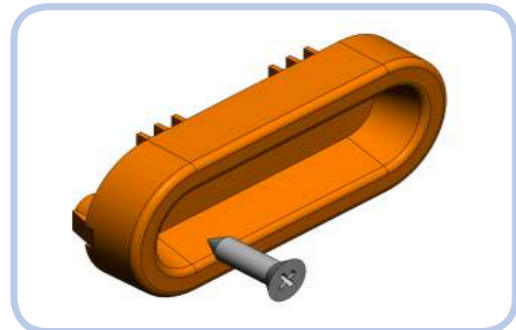
| NAV NO. | DESCRIPTION | FINISH | UNIT |
|---------|---|--------|--------|
| 5689 | Hembar guide cable tube (price per 4m length) | Black | £13.60 |

TESS™ 402

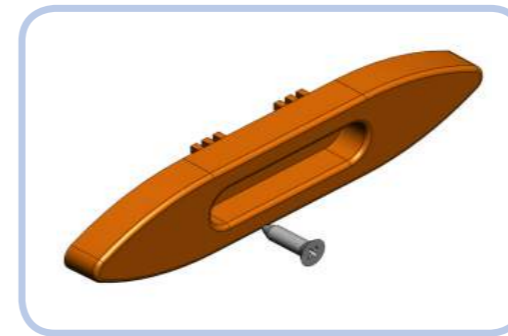
Parts for hembar – pre-February 2018



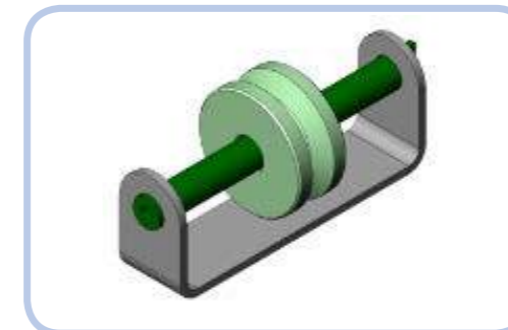
| NAV NO. | DESCRIPTION | FINISH | UNIT |
|---------|--------------------|--------|--------|
| 4435 | Hembar pulley assy | N/A | £16.15 |



| NAV NO. | DESCRIPTION | FINISH | UNIT |
|---------|--------------------------------|--------|-------|
| 5493 | Hembar end cap s/assy standard | White | £3.40 |
| 5494 | Hembar end cap s/assy standard | Black | £3.40 |



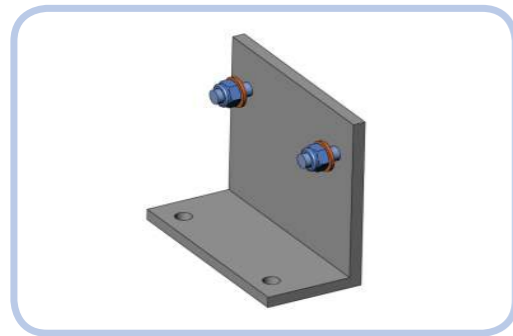
| NAV NO. | DESCRIPTION | FINISH | UNIT |
|---------|----------------------------------|--------|-------|
| 5495 | Hembar end cap s/assy boat style | White | £3.40 |
| 5496 | Hembar end cap s/assy boat style | Black | £3.40 |



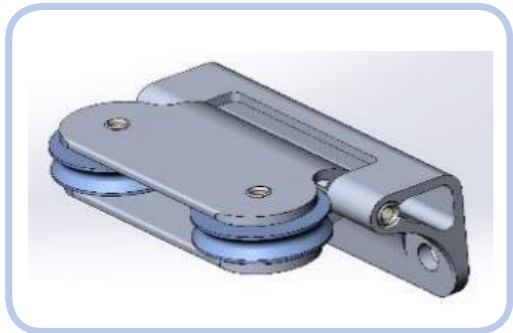
| NAV NO. | DESCRIPTION | FINISH | UNIT |
|---------|-----------------------|--------|--------|
| 4620 | Diverting pulley assy | N/A | £33.00 |

TESS™ 402

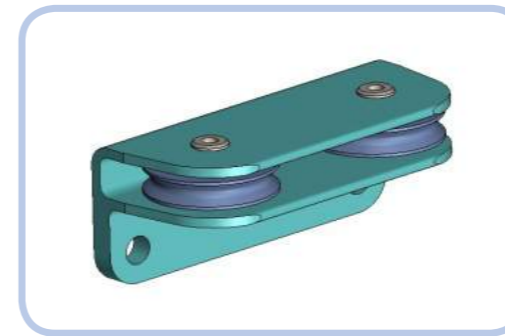
Parts for hembar – pre-February 2018



| NAV NO. | DESCRIPTION | FINISH | UNIT |
|---------|---|---------------|--------|
| 3944 | Bottom fix mtg bracket assy for Tess 402 102x50 | Mill | £12.95 |
| 3945 | Bottom fix mtg bracket assy for Tess 402 102x50 | White RAL9016 | £12.95 |



| NAV NO. | DESCRIPTION | FINISH | UNIT |
|---------|----------------------------------|---------------|--------|
| 7139 | Pivoting twin return pulley assy | Mill | £46.30 |
| 8211 | Pivoting twin return pulley assy | White RAL9016 | £46.30 |

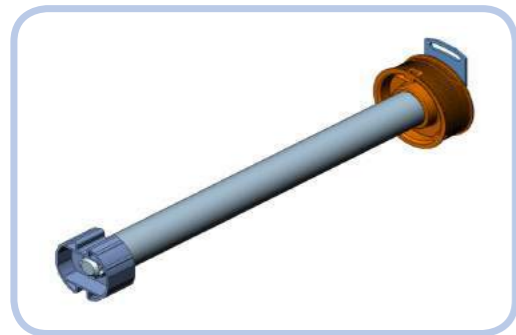


| NAV NO. | DESCRIPTION | FINISH | UNIT |
|---------|----------------------------|---------------|--------|
| 6653 | Twin diverting pulley assy | Mill | £27.45 |
| 6654 | Twin diverting pulley assy | White RAL9016 | £27.45 |

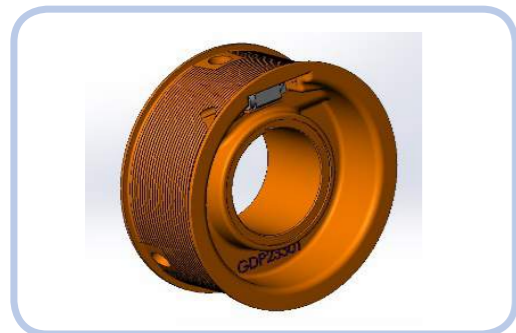
TESS™ 402

MOTOR ASSEMBLIES

- Motors are supplied as a complete assembly with cable drum and mounting adaptors for quick and easy replacement.
- Motors that were installed on TESS™ systems before 2002 may require additional adaptors so please inform our sales department when placing your order (refer to technical document TD56).



| NAV NO. | DESCRIPTION | FINISH | UNIT |
|---------|--|--------|---------|
| 5357 | Type 5 motor and bracket s/assy – Standard motor 230V AC | N/A | £162.50 |
| 5358 | Type 5 motor and bracket s/assy – Standard motor 110V AC | N/A | £187.20 |
| 5359 | Type 5 motor and bracket s/assy – Radio motor 230V AC | N/A | £245.45 |
| 5360 | Type 5 motor and bracket s/assy – Radio motor 110V AC | N/A | £232.60 |



| NAV NO. | DESCRIPTION | FINISH | UNIT |
|---------|---|--------|--------|
| 6745 | Motor cable spool s/assy | Black | £33.65 |
| 7865 | To be supplied with replacement Simu Motor Limit Collar | Black | £7.40 |

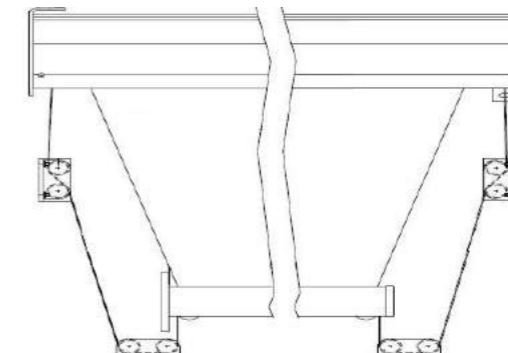
SPRING CASSETTE ASSEMBLIES

- Tension springs are only supplied as a complete assembly for quick and easy replacement.
- Four variations of spring cassette are used. They are not interchangeable.
 - Standard and OPH spring cassettes are used on TESS™ systems above 1080mm wide
 - Short and short OPH spring cassettes are only used on systems that are below 1080 wide AND less than 3000mm draw.
 - Please refer to diagram below for standard and OPH spring cassette positions. For identification the OPH spring cassettes are sprayed white on the coils.



| NAV NO. | DESCRIPTION | FINISH | UNIT |
|---------|---|--------|---------|
| 5353 | Standard Spring Cassette | N/A | £164.35 |
| 5354 | OPH (opposite hand) spring cassette | N/A | £167.35 |
| 5355 | Short spring cassette (standard position) | N/A | £184.65 |
| 5356 | Short OPH (opposite hand) spring cassette | N/A | £178.05 |

OPH spring cassette position →

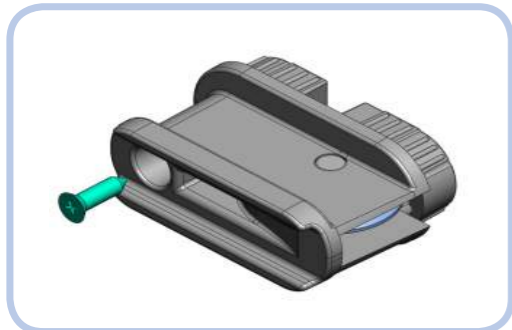


← Standard spring cassette position

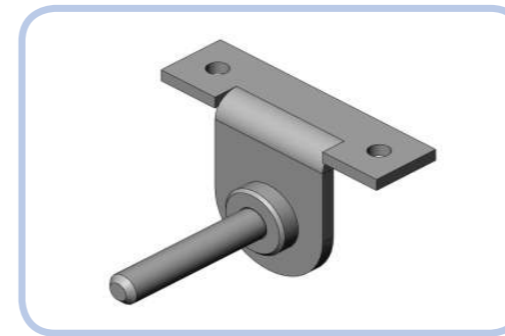
TESS™ 420



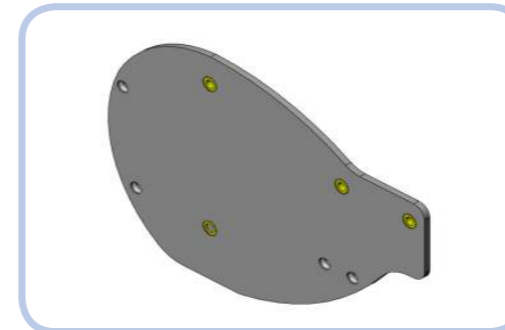
| NAV NO. | DESCRIPTION | FINISH | UNIT |
|---------|-----------------------|--------|--------|
| 5497 | Return pulley assy LH | Black | £16.05 |
| 5498 | Return pulley assy RH | Black | £16.05 |



| NAV NO. | DESCRIPTION | FINISH | UNIT |
|---------|--------------------------|--------|--------|
| 5499 | Hembar end cap s/assy LH | Black | £13.10 |
| 5500 | Hembar end cap s/assy RH | Black | £13.10 |

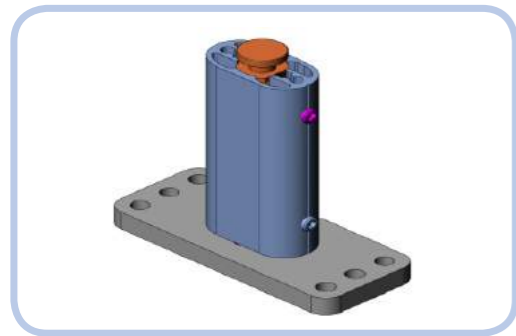


| NAV NO. | DESCRIPTION | FINISH | UNIT |
|---------|-------------------------------|----------------|--------|
| 4615 | Relieving roller bracket assy | Mill | £26.30 |
| 4617 | Relieving roller bracket assy | White RAL 9016 | £26.30 |



| NAV NO. | DESCRIPTION | FINISH | UNIT |
|---------|------------------------|----------------|--------|
| 8167 | T420 end plate assy LH | Mill | £43.90 |
| 7088 | T420 end plate assy LH | White RAL 9016 | £43.90 |
| 8168 | T420 end plate assy RH | Mill | £43.90 |
| 7089 | T420 end plate assy RH | White RAL 9016 | £43.90 |

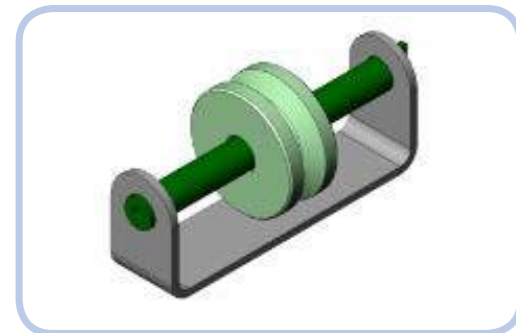
TESS™ 420



| NAV NO. | DESCRIPTION | FINISH | UNIT |
|---------|---|----------------|--------|
| 4095 | One foot mounting kit standard length 86mm | Mill | £15.90 |
| 4096 | One foot mounting kit standard length 86mm | White RAL 9016 | £15.90 |
| 4077 | One foot mounting kit manufactured to required length | Mill | £15.90 |
| 4078 | One foot mounting kit manufactured to required length | White RAL 9016 | £15.90 |



| NAV NO. | DESCRIPTION | FINISH | UNIT |
|---------|---|--------|---------|
| 7841 | Wire rope 1.2mm core 1.5 OD - 50 metre | N/A | £52.55 |
| 4376 | Wire rope 1.2mm core 1.5 OD - 100 metre | N/A | £104.70 |
| 4377 | Wire rope 1.2mm core 1.5 OD - 200 metre | N/A | £209.30 |
| 4378 | Wire rope 1.2mm core 1.5 OD - 500 metre | N/A | £523.35 |



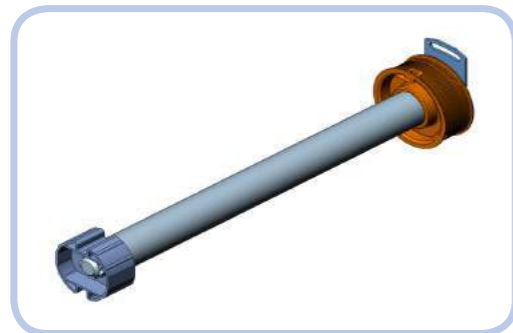
| NAV NO. | DESCRIPTION | FINISH | UNIT |
|---------|-----------------------|--------|--------|
| 4620 | Diverting pulley assy | N/A | £33.00 |

TESS™ 420

Motor assemblies and spring cassette assemblies

MOTOR ASSEMBLIES

- Motors are supplied as a complete assembly with cable drum and mounting adaptors for quick and easy replacement.
- Motors that were installed on TESS™ systems before 2002 may require additional adaptors so please inform our sales department when placing your order (refer to technical document TD56).



| NAV NO. | DESCRIPTION | FINISH | UNIT |
|---------|--|--------|---------|
| 5357 | Type 5 motor and bracket s/assy – Standard motor 230V AC | N/A | £162.50 |
| 5358 | Type 5 motor and bracket s/assy – Standard motor 110V AC | N/A | £187.20 |
| 5359 | Type 5 motor and bracket s/assy – Radio motor 230V AC | N/A | £245.45 |
| 5360 | Type 5 motor and bracket s/assy – Radio motor 110V AC | N/A | £232.60 |



| NAV NO. | DESCRIPTION | FINISH | UNIT |
|---------|---|--------|--------|
| 6745 | Motor cable spool s/assy | Black | £33.65 |
| 7865 | To be supplied with replacement Simu Motor Limit Collar | Black | £7.40 |

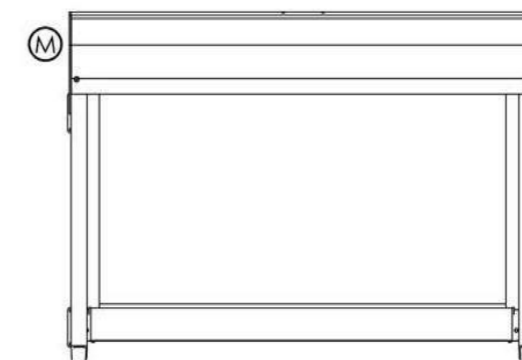
SPRING CASSETTE ASSEMBLIES

- Tension springs are only supplied as a complete assembly for quick and easy replacement.
- Four variations of spring cassette are used. They are not interchangeable.
 - Standard and OPH spring cassettes are used on TESS™ systems above 1080mm wide
 - Short and short OPH spring cassettes are only used on systems that are below 1080 wide AND less than 3000mm draw.
 - Please refer to diagram below for standard and OPH spring cassette positions. For identification the OPH spring cassettes are sprayed white on the coils.



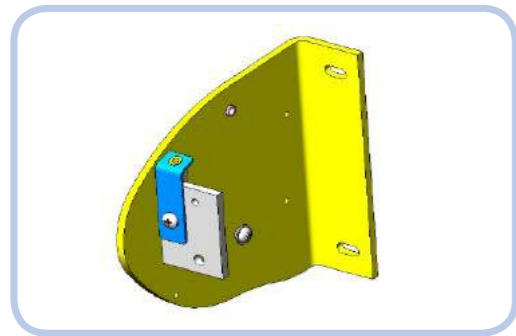
| NAV NO. | DESCRIPTION | FINISH | UNIT |
|---------|---|--------|---------|
| 5353 | Standard Spring Cassette | N/A | £164.35 |
| 5354 | OPH (opposite hand) spring cassette | N/A | £167.25 |
| 5355 | Short spring cassette (standard position) | N/A | £184.65 |
| 5356 | Short OPH (opposite hand) spring cassette | N/A | £178.05 |

OPH spring cassette position

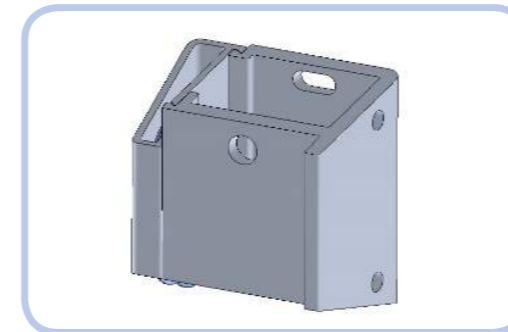


Standard spring cassette position

TESS™ 440



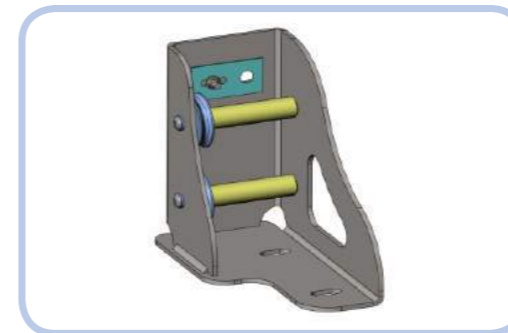
| NAV NO. | DESCRIPTION | FINISH | UNIT |
|---------|------------------------|---------------|---------|
| 8169 | Back fix plate assy LH | Mill | £110.55 |
| 7101 | Back fix plate assy LH | White RAL9016 | £110.55 |
| 8170 | Back fix plate assy RH | Mill | £110.55 |
| 7104 | Back fix plate assy RH | White RAL9016 | £110.55 |



| NAV NO. | DESCRIPTION | FINISH | UNIT |
|---------|--------------------------------|---------------|--------|
| 7812 | Back/side fix return pulley LH | White RAL9016 | £52.40 |
| 8324 | Back/side fix return pulley RH | White RAL9016 | £52.40 |



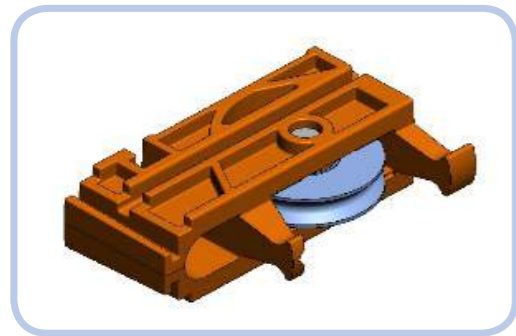
| NAV NO. | DESCRIPTION | FINISH | UNIT |
|---------|--------------------------|---------------|--------|
| 8165 | Bottom fix plate assy LH | Mill | £86.35 |
| 7099 | Bottom fix plate assy LH | White RAL9016 | £86.35 |
| 8166 | Bottom fix plate assy RH | Mill | £86.35 |
| 7100 | Bottom fix plate assy RH | White RAL9016 | £86.35 |



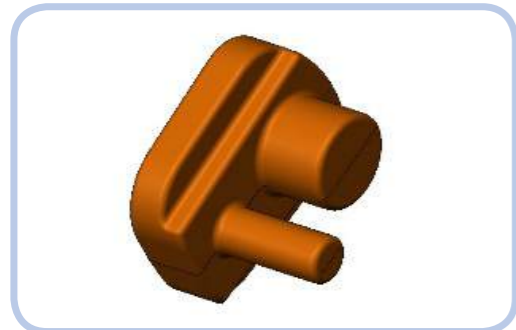
| NAV NO. | DESCRIPTION | FINISH | UNIT |
|---------|---------------------------------------|-----------------|---------|
| 4454 | T440 return pulley assy LH bottom fix | Stainless steel | £145.40 |
| 4455 | T440 return pulley assy RH bottom fix | Stainless steel | £145.40 |

TESS™ 440

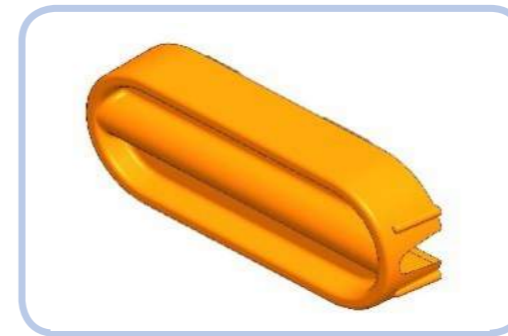
Parts for new hembar – from February 2018



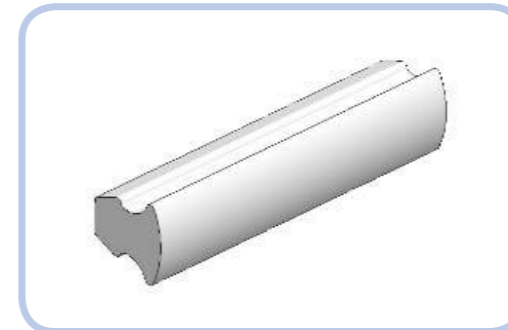
| NAV NO. | DESCRIPTION | FINISH | UNIT |
|---------|----------------------------|--------|--------|
| 8320 | Hembar pulley housing assy | Black | £12.70 |



| NAV NO. | DESCRIPTION | FINISH | UNIT |
|---------|----------------------|--------|-------|
| 8286 | Hembar fabric spacer | Black | £0.60 |
| 7391 | Hembar fabric spacer | White | £0.60 |



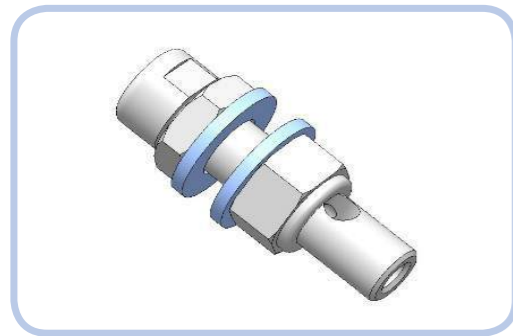
| NAV NO. | DESCRIPTION | FINISH | UNIT |
|---------|----------------|--------|-------|
| 8224 | Hembar end cap | Black | £1.85 |
| 7387 | Hembar end cap | White | £1.85 |



| NAV NO. | DESCRIPTION | FINISH | UNIT |
|---------|--|--------|---------|
| 8289 | Hembar silicone finishing strip (price per 20m coil) | Black | £127.30 |
| 7390 | Hembar silicone finishing strip (price per 20m coil) | White | £127.30 |

TESS™ 440

Parts for new system – from February 2018



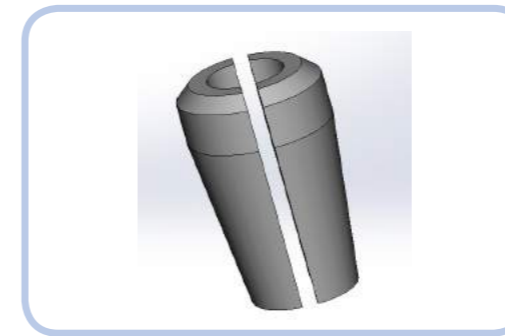
| NAV NO. | DESCRIPTION | FINISH | UNIT |
|---------|---------------------|--------|--------|
| 7840 | 5mm cable tensioner | N/A | £20.05 |

Sold individually



| NAV NO. | DESCRIPTION | FINISH | UNIT |
|---------|---|--------|---------|
| 7653 | Dia 5mm GD wire guide kit 3m length 30mm thread | N/A | £92.80 |
| 7654 | Dia 5mm GD wire guide kit 4.0m length 60mm thread | N/A | £102.30 |
| 8338 | Dia 5mm GD wire guide kit 6.5m length 60mm thread | N/A | £138.10 |

Sold as a pair



| NAV NO. | DESCRIPTION | FINISH | UNIT |
|---------|--------------------|--------|-------|
| 8340 | Guide cable collet | N/A | £6.70 |



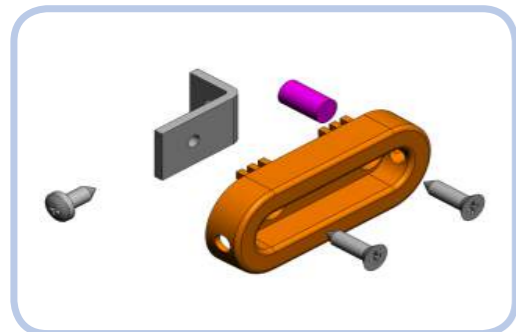
| NAV NO. | DESCRIPTION | FINISH | UNIT |
|---------|---|--------|---------|
| 7841 | Wire rope 1.2mm core 1.5 OD – 50 metre | N/A | £52.55 |
| 4376 | Wire rope 1.2mm core 1.5 OD – 100 metre | N/A | £104.70 |
| 4377 | Wire rope 1.2mm core 1.5 OD – 200 metre | N/A | £209.30 |
| 4378 | Wire rope 1.2mm core 1.5 OD – 500 metre | N/A | £523.35 |

TESS™ 440

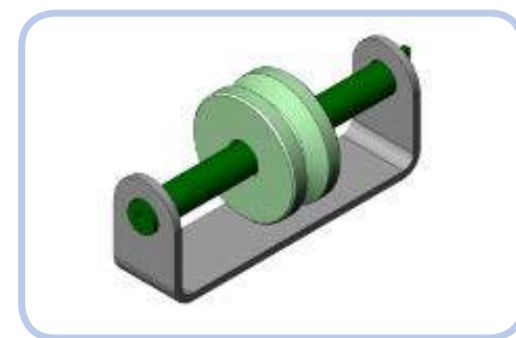
Parts for system – pre-February 2018



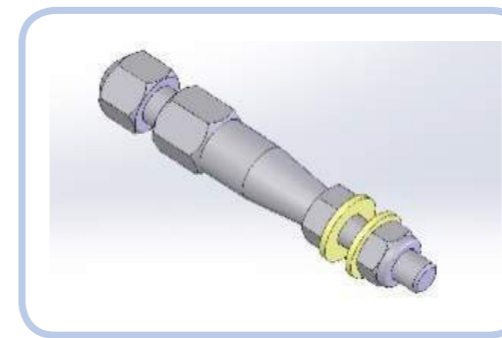
| NAV NO. | DESCRIPTION | FINISH | UNIT |
|---------|--------------------|--------|--------|
| 4435 | Hembar pulley assy | N/A | £16.15 |



| NAV NO. | DESCRIPTION | FINISH | UNIT |
|---------|---------------------|--------|-------|
| 4433 | Hembar end cap assy | Black | £8.20 |

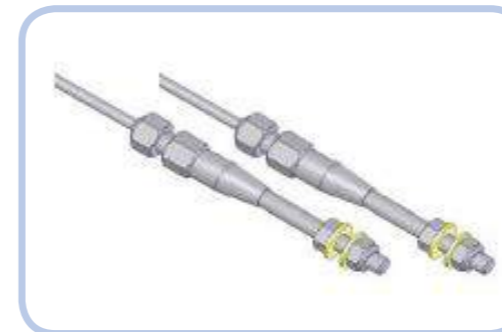


| NAV NO. | DESCRIPTION | FINISH | UNIT |
|---------|-----------------------|--------|--------|
| 4620 | Diverting pulley assy | N/A | £33.00 |



| NAV NO. | DESCRIPTION | FINISH | UNIT |
|---------|-------------------------------------|--------|--------|
| 4312 | Screwed thread end with 30mm thread | N/A | £34.10 |
| 4313 | Screwed thread end with 60mm thread | N/A | £40.55 |

Sold individually



| NAV NO. | DESCRIPTION | FINISH | UNIT |
|---------|--|--------|---------|
| 4305 | Dia 5mm Jakob wire guide kit 3m length 30mm thread | N/A | £105.70 |
| 6374 | Dia 5mm Jakob wire guide kit 4m length 60mm thread | N/A | £115.65 |
| 4306 | Dia 5mm Jakob wire guide kit 6.5m length 60mm thread | N/A | £145.50 |

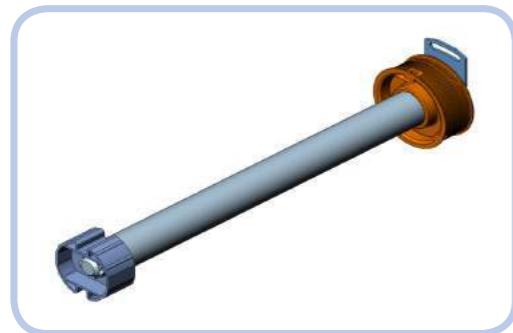
Sold as a pair

TESS™ 440

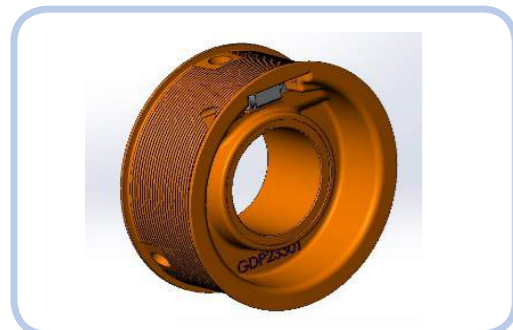
Motor assemblies and spring cassette assemblies

MOTOR ASSEMBLIES

- Motors are supplied as a complete assembly with cable drum and mounting adaptors for quick and easy replacement.
- Motors that were installed on TESS™ systems before 2002 may require additional adaptors so please inform our sales department when placing your order (refer to technical document TD56).



| NAV NO. | DESCRIPTION | FINISH | UNIT |
|---------|--|--------|---------|
| 5357 | Type 5 motor and bracket s/assy – Standard motor 230V AC | N/A | £162.50 |
| 5358 | Type 5 motor and bracket s/assy – Standard motor 110V AC | N/A | £187.20 |
| 5359 | Type 5 motor and bracket s/assy – Radio motor 230V AC | N/A | £245.45 |
| 5360 | Type 5 motor and bracket s/assy – Radio motor 110V AC | N/A | £232.60 |



| NAV NO. | DESCRIPTION | FINISH | UNIT |
|---------|---|--------|--------|
| 6745 | Motor cable spool s/assy | Black | £33.65 |
| 7865 | To be supplied with replacement Simu Motor Limit Collar | Black | £7.40 |

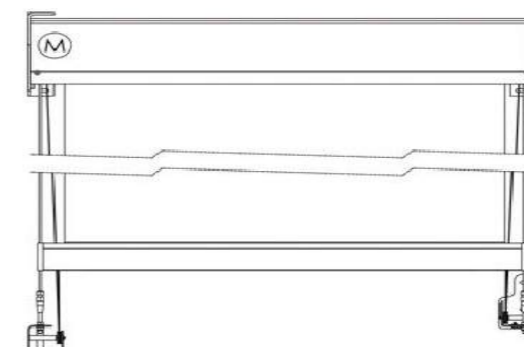
SPRING CASSETTE ASSEMBLIES

- Tension springs are only supplied as a complete assembly for quick and easy replacement.
- Four variations of spring cassette are used. They are not interchangeable.
 - Standard and OPH spring cassettes are used on TESS™ systems above 1080mm wide
 - Short and short OPH spring cassettes are only used on systems that are below 1080 wide AND less than 3000mm draw.
 - Please refer to diagram below for standard and OPH spring cassette positions. For identification the OPH spring cassettes are sprayed white on the coils.



| NAV NO. | DESCRIPTION | FINISH | UNIT |
|---------|---|--------|---------|
| 5353 | Standard Spring Cassette | N/A | £164.35 |
| 5354 | OPH (opposite hand) spring cassette | N/A | £167.35 |
| 5355 | Short spring cassette (standard position) | N/A | £184.65 |
| 5356 | Short OPH (opposite hand) spring cassette | N/A | £178.05 |

OPH spring cassette position →

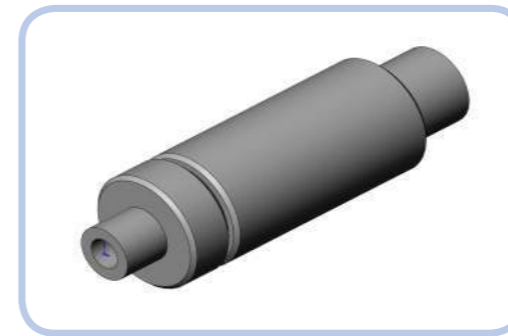


← Standard spring cassette position

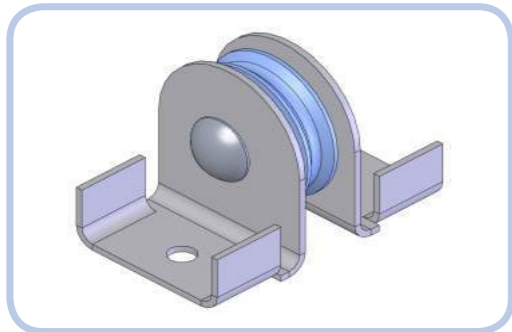
TESS™ 512



| NAV NO. | DESCRIPTION | FINISH | UNIT |
|---------|-------------------------|--------|--------|
| 5507 | Tension spring sub assy | N/A | £10.75 |



| NAV NO. | DESCRIPTION | FINISH | UNIT |
|---------|-------------|--------|--------|
| 3520 | Grip lock | N/A | £16.40 |

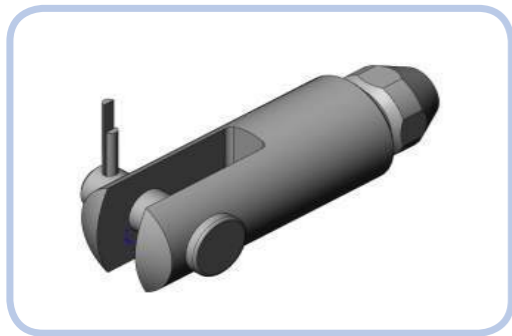


| NAV NO. | DESCRIPTION | FINISH | UNIT |
|---------|------------------------------|-----------------|--------|
| 4412 | Hembar support pulley s/assy | Stainless steel | £25.70 |

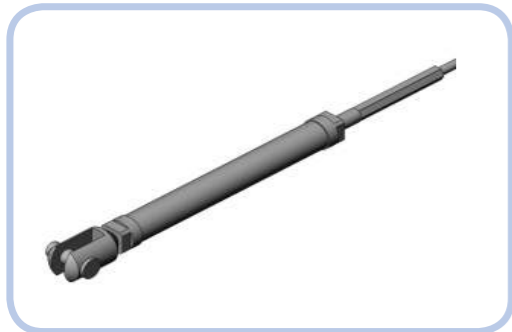


| NAV NO. | DESCRIPTION | FINISH | UNIT |
|---------|-------------------------|--------|--------|
| 5914 | Diverting roller s/assy | N/A | £26.55 |

TESS™ 512



| NAV NO. | DESCRIPTION | FINISH | UNIT |
|---------|--|--------|--------|
| 3604 | Sta-Lok fork for 5mm diameter s/s wire | N/A | £45.90 |



| NAV NO. | DESCRIPTION | FINISH | UNIT |
|---------|--|-----------------|-------------------|
| 4239 | Dia 5 mm wire rope and turnbuckle assy | N/A | Price on request* |
| 7054 | Turnbuckle only | Stainless steel | £81.70 |

*Please contact sales@guthriedouglas.com



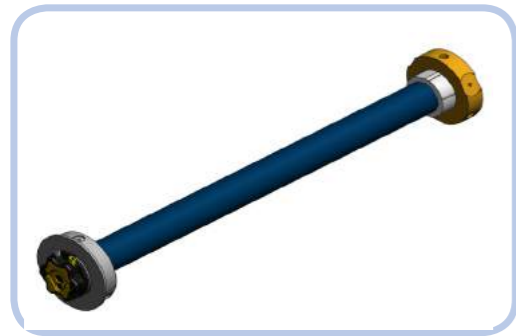
| NAV NO. | DESCRIPTION | FINISH | UNIT |
|---------|---------------------------------------|--------|---------|
| 4188 | Coated wire rope 2.0mm core 2.84mm OD | 100m | £107.45 |
| 4189 | Coated wire rope 2.0mm core 2.84mm OD | 200m | £214.90 |
| 4190 | Coated wire rope 2.0mm core 2.84mm OD | 500m | £537.15 |



| NAV NO. | DESCRIPTION | FINISH | UNIT |
|---------|---------------|--------|---------|
| 6424 | Tension gauge | N/A | £198.05 |

TESS™ 512

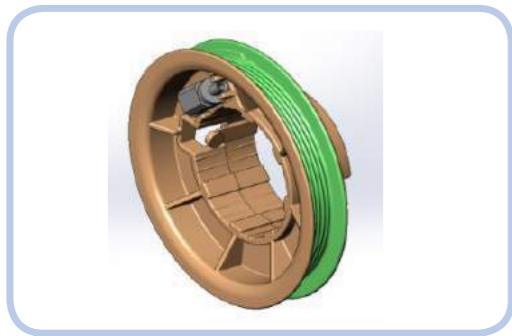
Motor assemblies



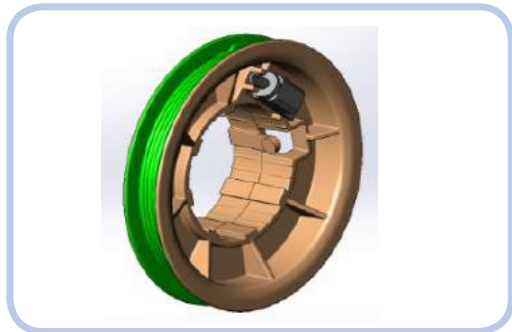
| NAV NO. | DESCRIPTION | FINISH | UNIT |
|---------|---|--------|---------|
| 5503 | Somfy LT50 Hipro Apollo 35Nm 17 rpm manual limits.230V AC. motor s/assy | N/A | £320.30 |
| 5504 | Simu type 5 30 Nm 17 rpm manual limits 230V AC. Motor s/assy | N/A | £320.30 |
| 5505 | Simu Type 5 35 Nm 17 rpm HZ02 Radio 230V AC. Motor s/assy | N/A | £335.55 |
| 5506 | Somfy Altus 35Nm 17rpm HZ02 Radio 230V AC.Motor s/assy | N/A | £335.55 |

For installations pre July 2011 please contact Guthrie Douglas.

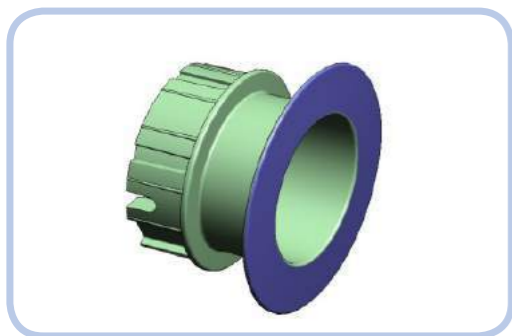
TESS™ 600 SERIES



| NAV NO. | DESCRIPTION | FINISH | UNIT |
|---------|---------------------|--------|--------|
| 5609 | Cable spool assy LH | N/A | £15.20 |



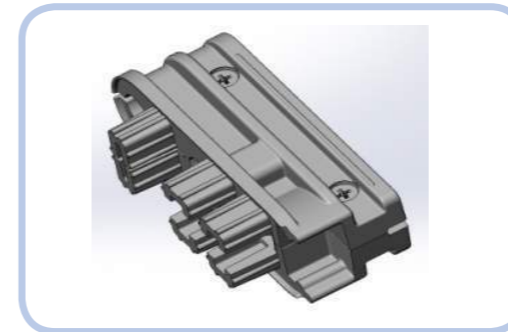
| NAV NO. | DESCRIPTION | FINISH | UNIT |
|---------|---------------------|--------|--------|
| 5610 | Cable spool assy RH | N/A | £15.20 |



| NAV NO. | DESCRIPTION | FINISH | UNIT |
|---------|---------------------------|--------|--------|
| 5676 | Fabric tube end cap LH/RH | N/A | £10.85 |

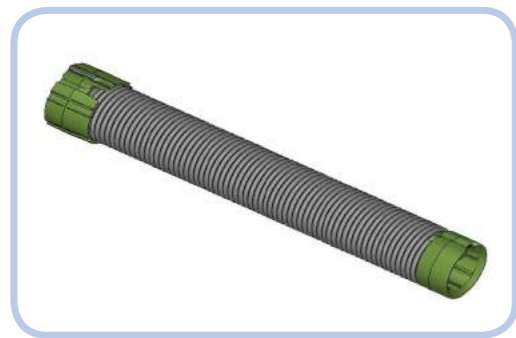


| NAV NO. | DESCRIPTION | FINISH | UNIT |
|---------|--------------------------|--------|-------|
| 5667 | Hembar end cap s/assy LH | Black | £9.10 |
| 6722 | Hembar end cap s/assy LH | White | £9.10 |



| NAV NO. | DESCRIPTION | FINISH | UNIT |
|---------|--------------------------|--------|-------|
| 5668 | Hembar end cap s/assy RH | Black | £9.10 |
| 6723 | Hembar end cap s/assy RH | White | £9.10 |

TESS™ 600 SERIES



| NAV NO. | DESCRIPTION | FINISH | UNIT |
|---------|---------------|--------|--------|
| 5611 | Spring s/assy | N/A | £26.30 |



| NAV NO. | DESCRIPTION | FINISH | UNIT |
|---------|---|--------|---------|
| 7841 | Wire rope 1.2mm core 1.5 OD - 50 metre | N/A | £52.55 |
| 4376 | Wire rope 1.2mm core 1.5 OD - 100 metre | N/A | £104.70 |
| 4377 | Wire rope 1.2mm core 1.5 OD - 200 metre | N/A | £209.30 |
| 4378 | Wire rope 1.2mm core 1.5 OD - 500 metre | N/A | £523.35 |

TESS™ 600

Motor assemblies

- We recommend that motors are supplied as a complete assembly for quick and easy replacement.

KITS - TESS™660 FACE FIX TESS™660 REVEAL FIX

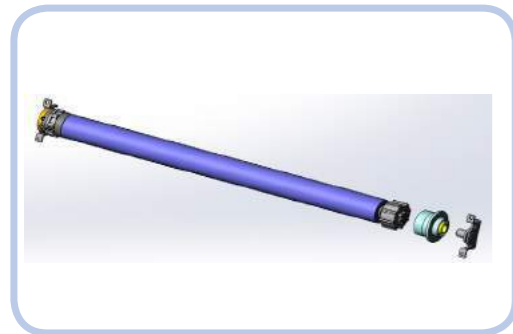
| NAV NO. | DESCRIPTION | UNIT |
|---------|---|---------|
| 6430 | Somfy Sonesse 40 motor kit – standard motor 240V AC | £169.20 |
| 6429 | Somfy Sonesse 40 motor kit – radio motor 240V AC | £179.25 |
| 6512 | Somfy Sonesse 40 motor kit – standard motor 120V AC | £196.20 |
| 6511 | Somfy Sonesse 40 motor kit – radio motor 120V AC | £199.35 |
| 8364 | Nice Action motor kit – standard motor 240V/120V AC | £175.20 |
| 8365 | Nice Edge motor kit – radio motor 240V/120V AC | £194.80 |

KITS - TESS™ 660 RECESS FIX

| NAV NO. | DESCRIPTION | UNIT |
|---------|---|---------|
| 8446 | Somfy Sonesse 40 motor kit – standard motor 240V AC | £169.20 |
| 8445 | Somfy Sonesse 40 motor kit – radio motor 240V AC | £179.25 |
| 8448 | Somfy Sonesse 40 motor kit – standard motor 120V AC | £196.20 |
| 8447 | Somfy Sonesse 40 motor kit – radio motor 120V AC | £199.35 |
| 8440 | Nice Action motor kit – standard motor 240V/120V AC | £175.20 |
| 8441 | Nice Edge motor kit – radio motor 240V/120V AC | £194.80 |

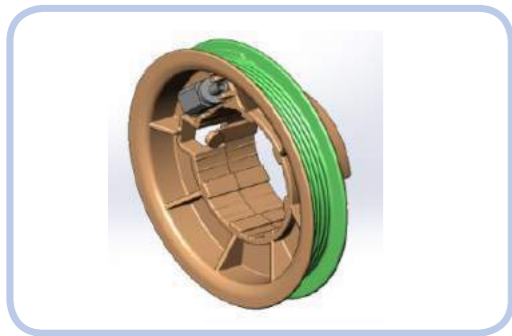
MOTOR ONLY

| NAV NO. | DESCRIPTION | UNIT |
|---------|---|---------|
| 5706 | Somfy Sonesse 40 motor – standard motor 240V AC | £131.85 |
| 5705 | Somfy Sonesse 40 motor – radio motor 240V AC | £152.75 |
| 6508 | Somfy Sonesse 40 motor – standard motor 120V AC | £169.05 |
| 6510 | Somfy Sonesse 40 motor – radio motor 120V AC | £183.70 |
| 8359 | Nice Action motor – standard motor 240V/120V AC | £158.65 |
| 8360 | Nice Edge motor – radio motor 240V/120V AC | £168.95 |

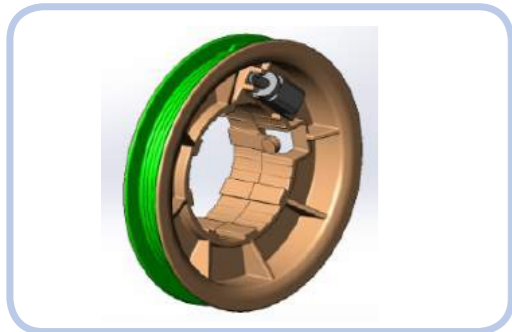


| NAV NO. | DESCRIPTION | FINISH | UNIT |
|---------|-------------------------------|--------|--------|
| 7774 | Nice control programming unit | N/A | £44.50 |

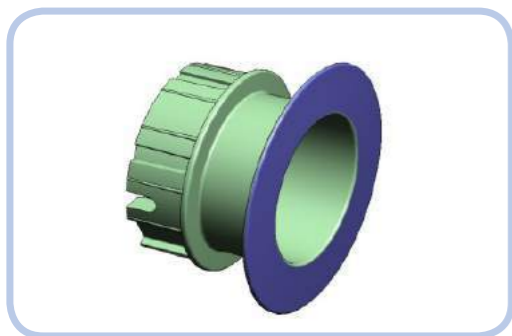
TESS™ 600L



| NAV NO. | DESCRIPTION | FINISH | UNIT |
|---------|---------------------|--------|--------|
| 8089 | Cable spool assy LH | N/A | £17.55 |



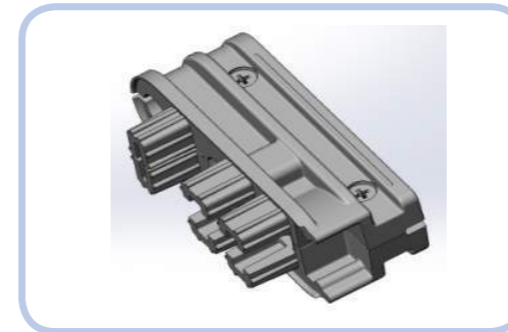
| NAV NO. | DESCRIPTION | FINISH | UNIT |
|---------|---------------------|--------|--------|
| 8090 | Cable spool assy RH | N/A | £17.55 |



| NAV NO. | DESCRIPTION | FINISH | UNIT |
|---------|---------------------------|--------|--------|
| 8088 | Fabric tube end cap LH/RH | N/A | £12.90 |

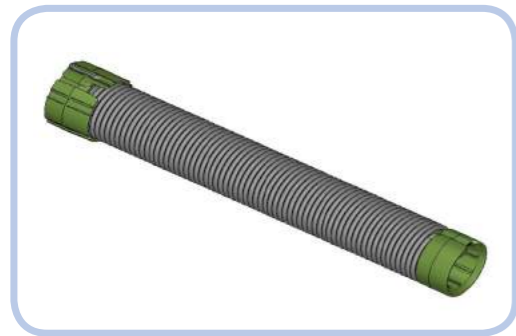


| NAV NO. | DESCRIPTION | FINISH | UNIT |
|---------|--------------------------|--------|-------|
| 5667 | Hembar end cap s/assy LH | Black | £9.10 |
| 6722 | Hembar end cap s/assy LH | White | £9.10 |



| NAV NO. | DESCRIPTION | FINISH | UNIT |
|---------|--------------------------|--------|-------|
| 5668 | Hembar end cap s/assy RH | Black | £9.10 |
| 6723 | Hembar end cap s/assy RH | White | £9.10 |

TESS™ 600L



| NAV NO. | DESCRIPTION | FINISH | UNIT |
|---------|---------------|--------|--------|
| 5611 | Spring s/assy | N/A | £26.30 |



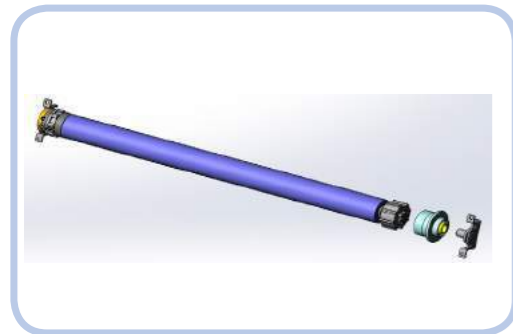
| NAV NO. | DESCRIPTION | FINISH | UNIT |
|---------|--|--------|---------|
| 7841 | Wire rope 1.2mm core 1.5 OD - 50 metre | N/A | £52.55 |
| 4376 | Wire rope 1.2mm core 1.5 OD | 100m | £104.70 |
| 4377 | Wire rope 1.2mm core 1.5 OD | 200m | £209.30 |
| 4378 | Wire rope 1.2mm core 1.5 OD | 500m | £523.35 |

TESS™ 600L

Motor assemblies

- We recommend that motors are supplied as a complete assembly for quick and easy replacement.

MOTOR KITS



| NAV NO. | DESCRIPTION | FINISH | UNIT |
|---------|---|--------|---------|
| 8118 | Somfy Sonesse 40 motor kit – standard motor 240V AC | N/A | £169.20 |
| 8117 | Somfy Sonesse 40 motor kit – radio motor 240V AC | N/A | £179.25 |
| 8120 | Somfy Sonesse 40 motor kit – standard motor 120V AC | N/A | £196.20 |
| 8119 | Somfy Sonesse 40 motor kit – radio motor 120V AC | N/A | £199.35 |
| 8374 | Nice Action motor kit – standard motor 240V/120V AC | N/A | £175.20 |
| 8375 | Nice Edge motor kit – radio motor 240V/120V AC | N/A | £194.80 |



| NAV NO. | DESCRIPTION | FINISH | UNIT |
|---------|-------------------------------|--------|--------|
| 7774 | Nice control programming unit | N/A | £44.50 |

MOTOR ONLY

| NAV NO. | DESCRIPTION | FINISH | UNIT |
|---------|---|--------|---------|
| 5706 | Somfy Sonesse 40 motor – standard motor 240V AC | N/A | £131.85 |
| 5705 | Somfy Sonesse 40 motor – radio motor 240V AC | N/A | £152.75 |
| 6508 | Somfy Sonesse 40 motor – standard motor 120V AC | N/A | £169.05 |
| 6510 | Somfy Sonesse 40 motor – radio motor 120V AC | N/A | £183.70 |
| 8359 | Nice Action motor – standard motor 240V/120V AC | N/A | £158.65 |
| 8360 | Nice Edge motor – radio motor 240V/120V AC | N/A | £168.95 |



VISIT US:
www.guthriedouglas.com

EMAIL US:
projects@guthriedouglas.com

TALK TO US:
0044 (0)1926 310 850