



---

# TESS™ 660 – Recess Fix

March 2019

**Guthrie Douglas**

# Why?



- Customer demand for a TESS™660 that is easier to hide within recess, especially for high end residential
- Customer demand for a proper ‘duo’ TESS™660 rather than 2 adjacent systems
- High degree of accuracy required for installation of current product
- Requests from customers for other small adaptations such as alignment assistance and fabric tracking capability

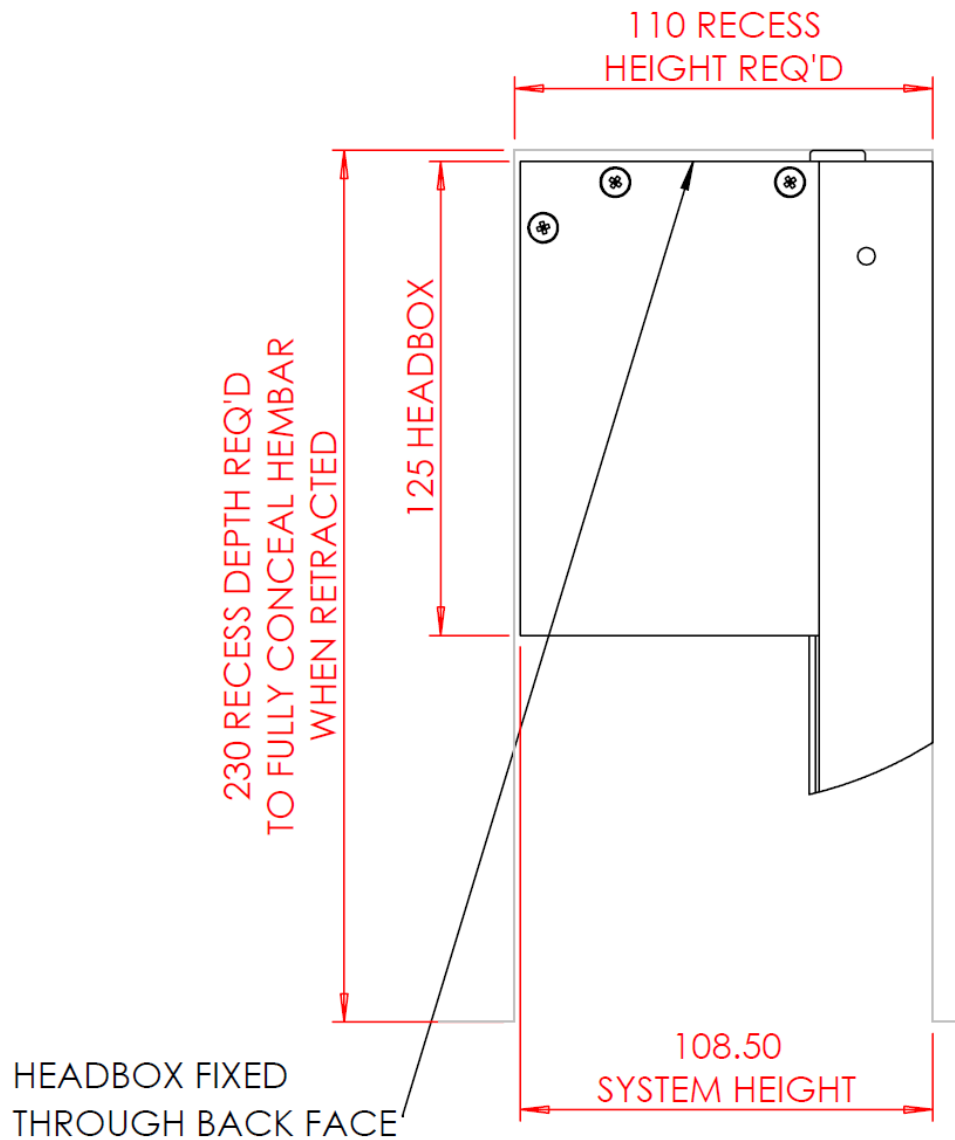






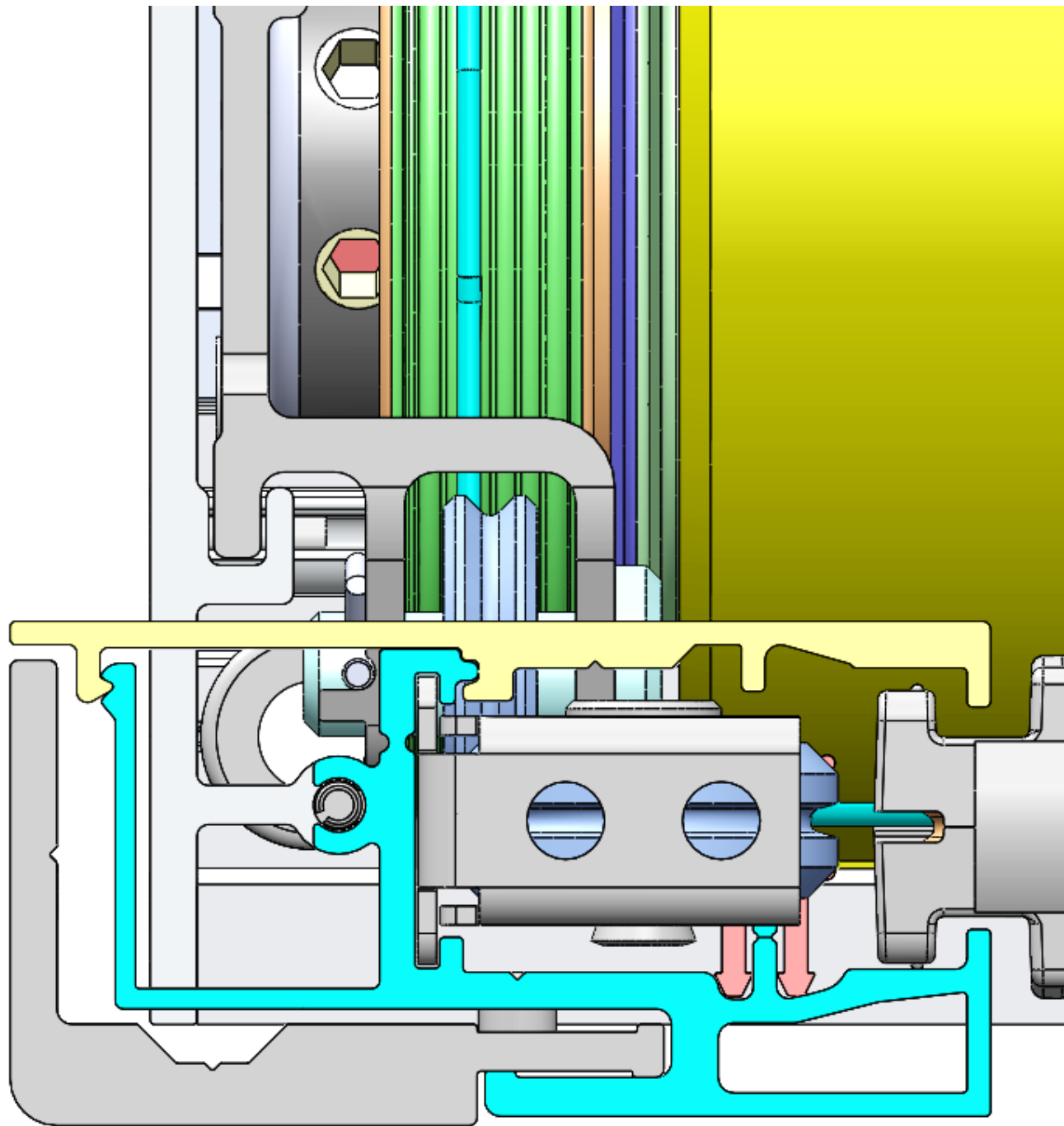
# 6 New features

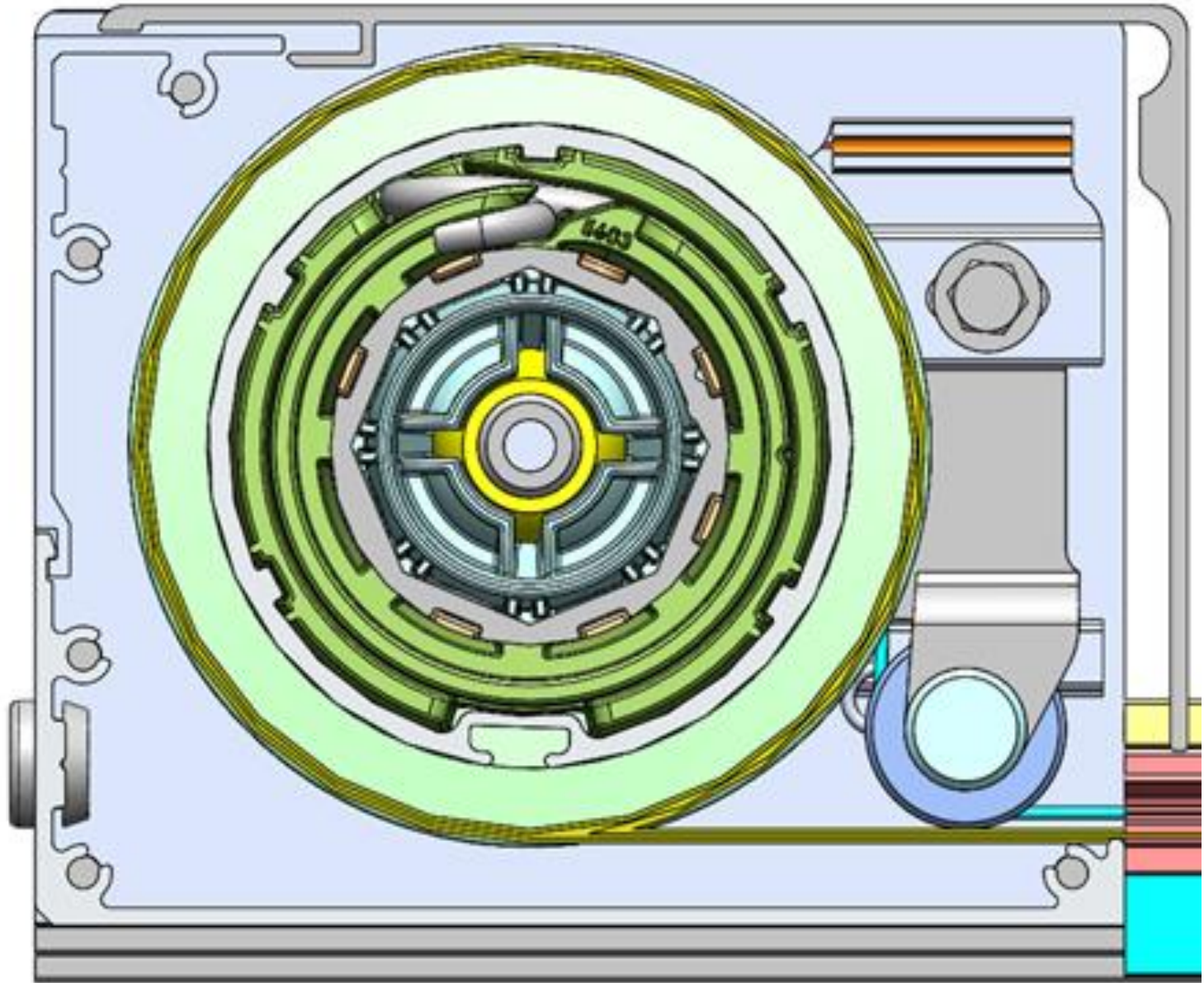
1. Slide in headbox & barrel assembly
2. Snap fit guide covers
3. Guides locate on headbox
4. Fabric tracking adjustment
5. Duo screen option with a barrel at each end
6. Additional configurations & compatibility



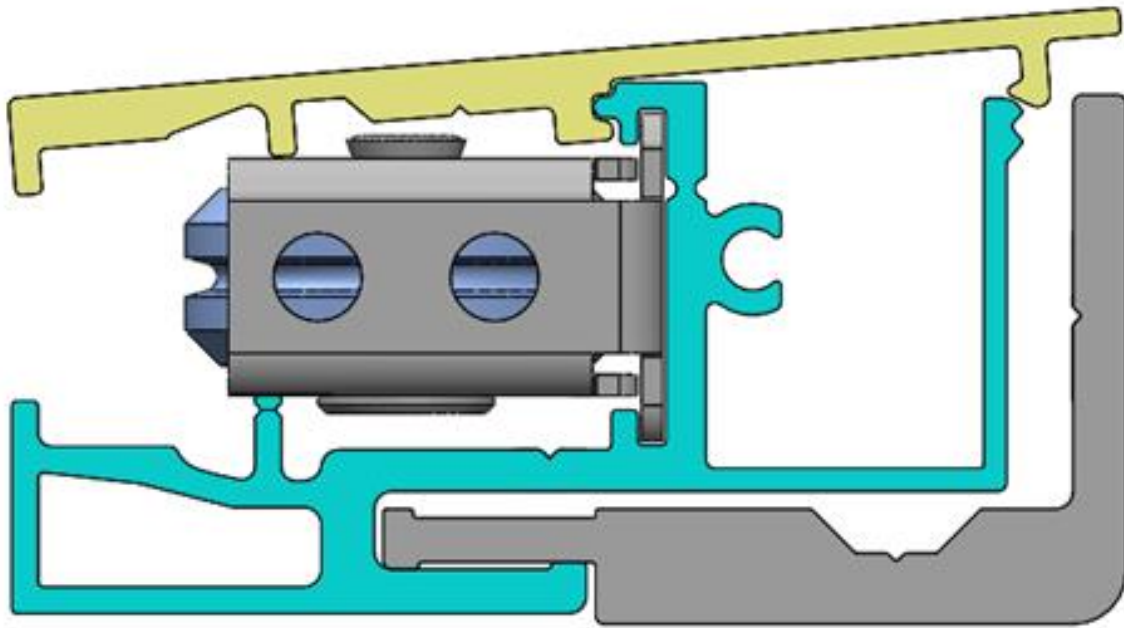
# 1. Slide-in headbox

- Everything slides into a 110mm x 130mm recess (4 5/16" x 5 1/8")
- Slide in barrel with easy access to fixings & mechanical motor limits
- Slide-on lid

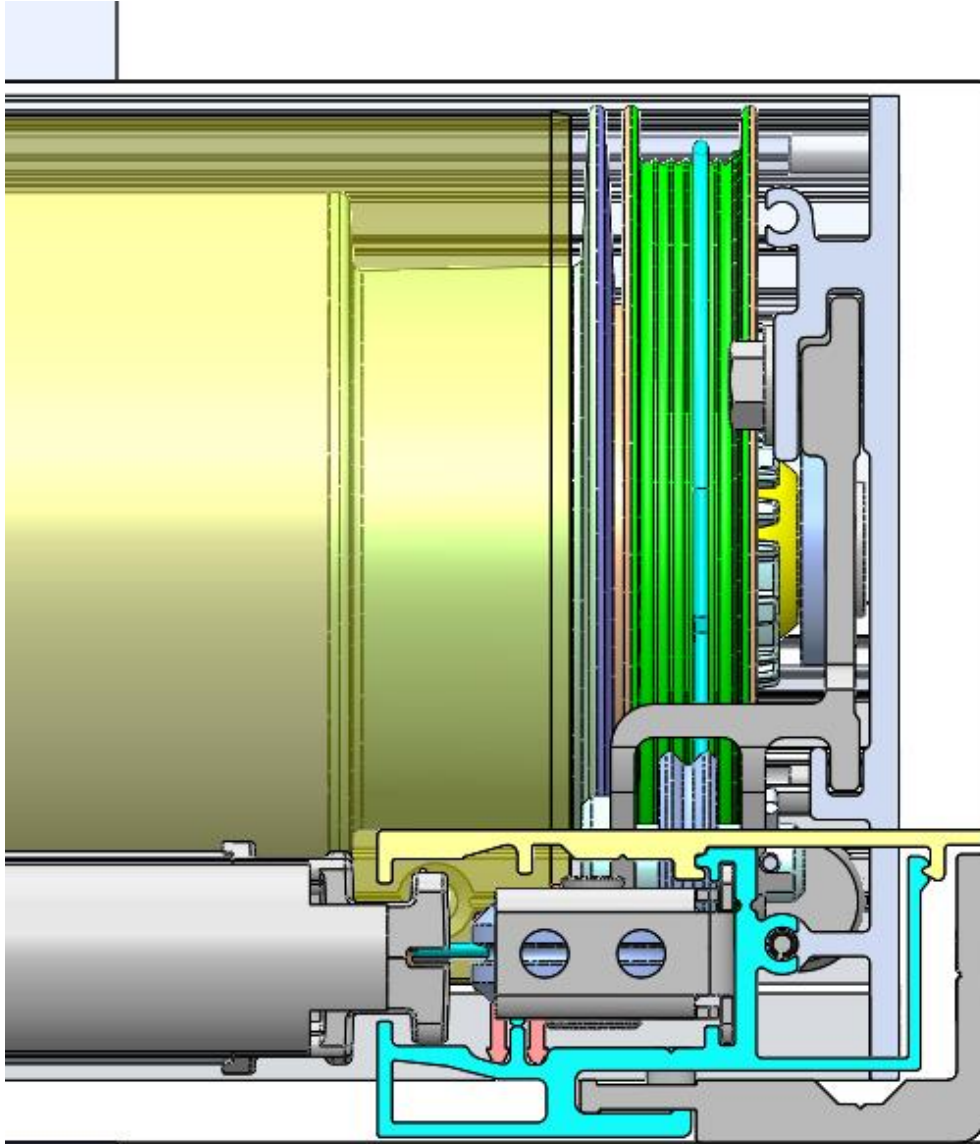




## 2. Snap-fit guide covers – no force needed from above



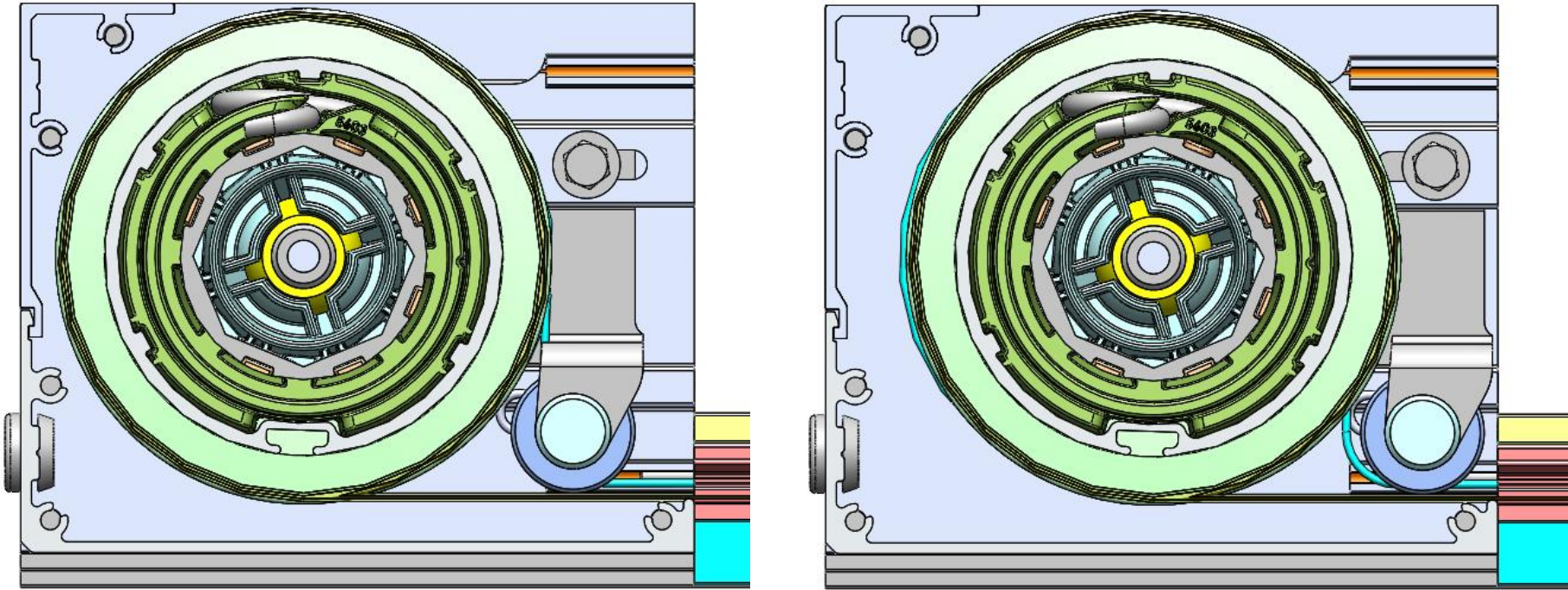




### 3. Guides locate on headbox

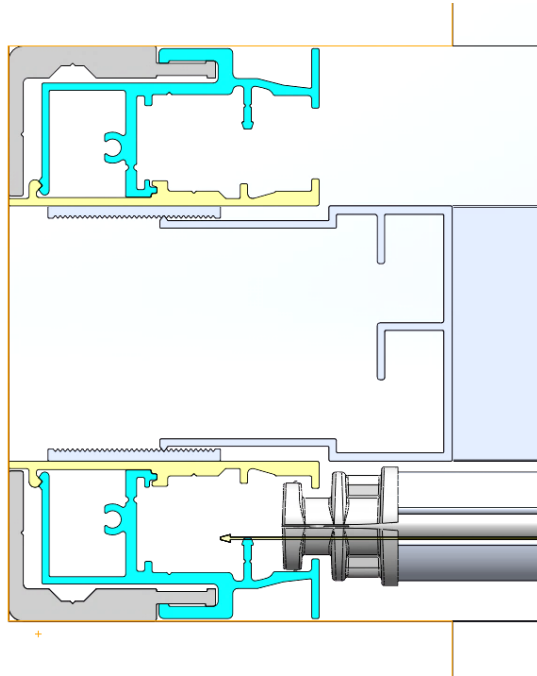
- Helps with squareness
- Easier install

## 4. Fabric Tracking

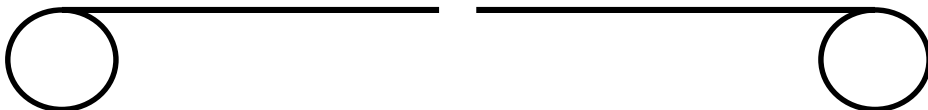
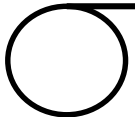


- Additional +4/ -4mm tolerance (XX"). Total tolerance now +8 / -8mm
- More forgiving if guides are not perfectly square

# 5. Duo-screen

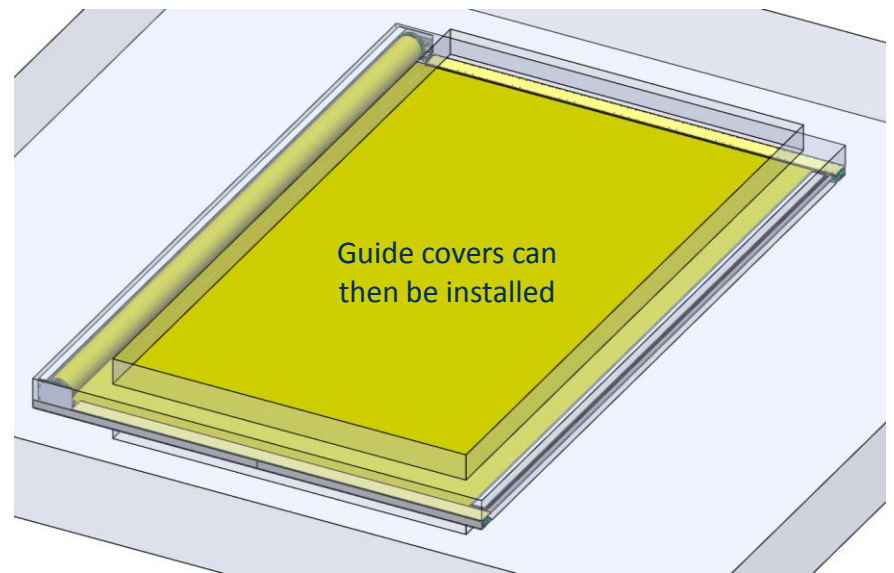
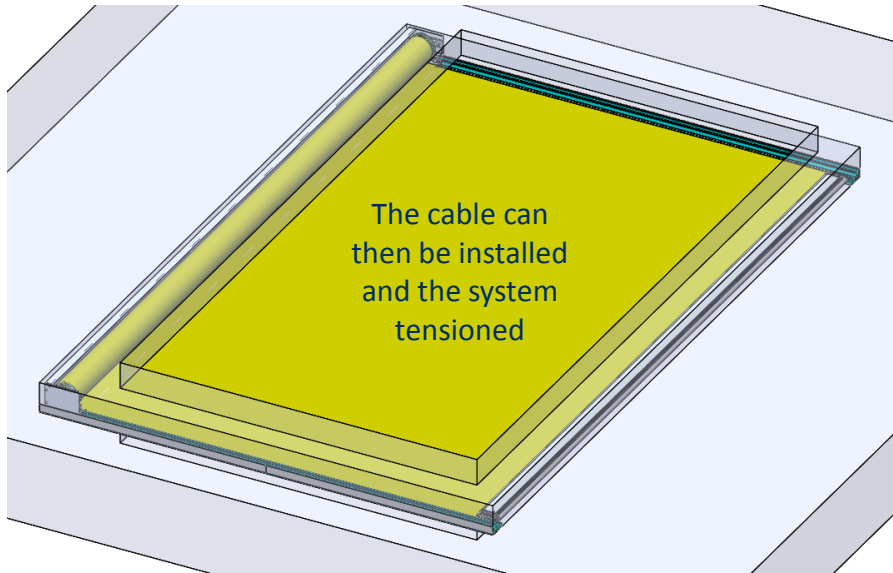
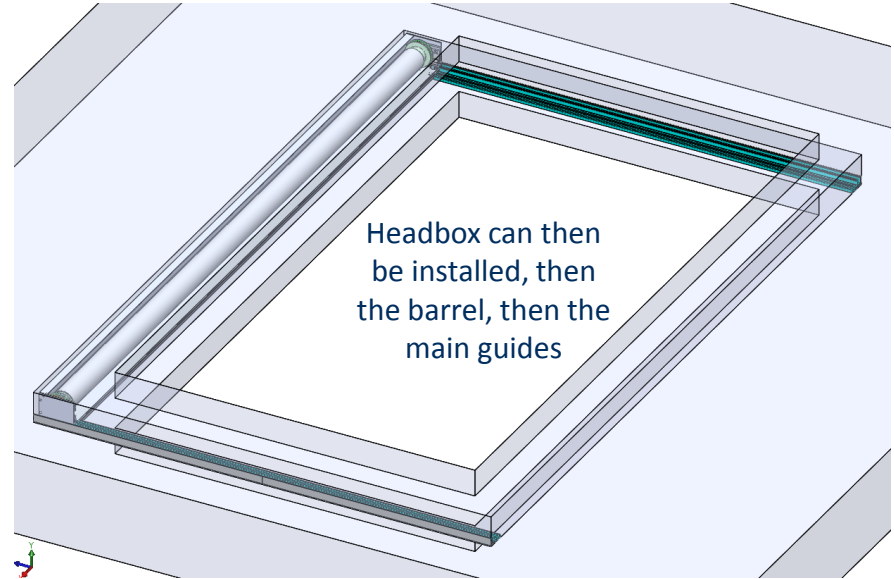
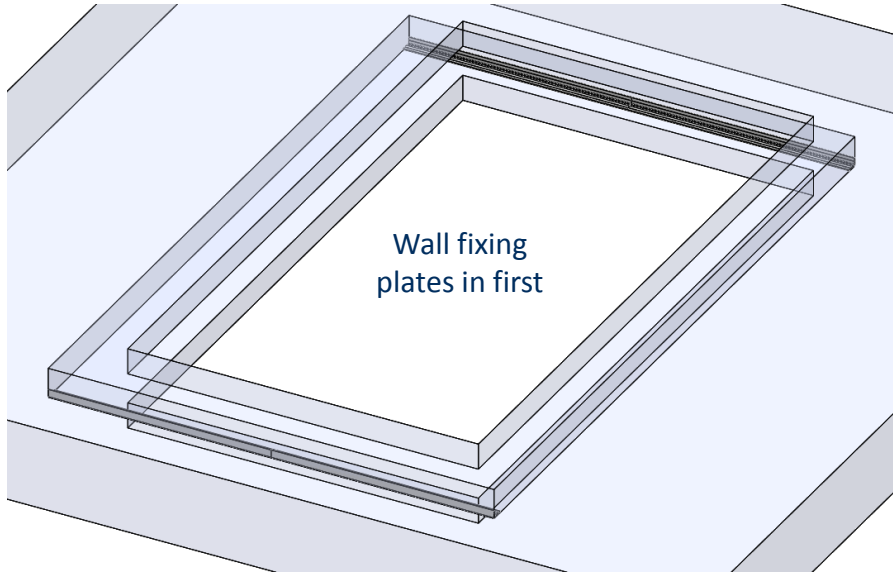


## 6. Configurations and compatibility



- Single system
- Single system with lid
- Duo screen system (either end)
- Duo screen (1 end)
- Duo screen (meet in middle)
- New guides, old headbox
- Old headbox, new guides

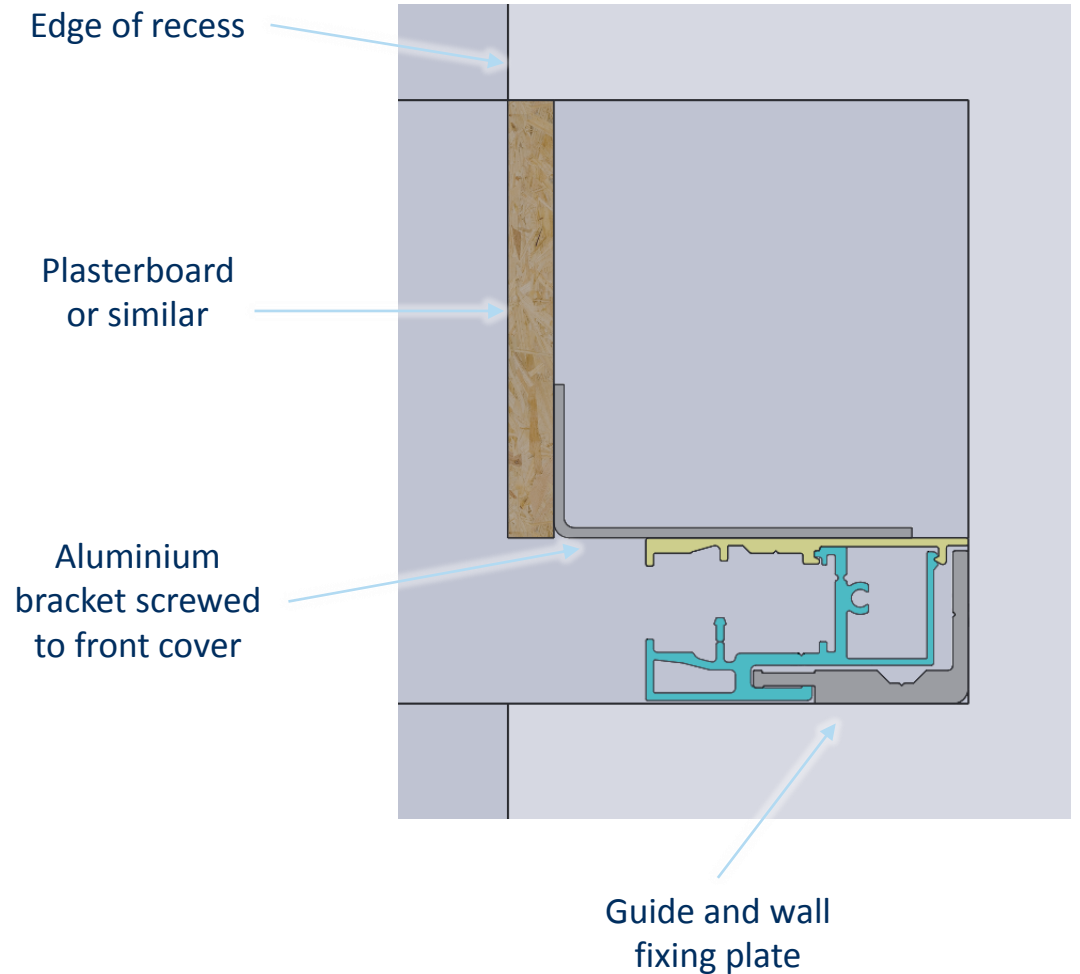
# Installation sequence



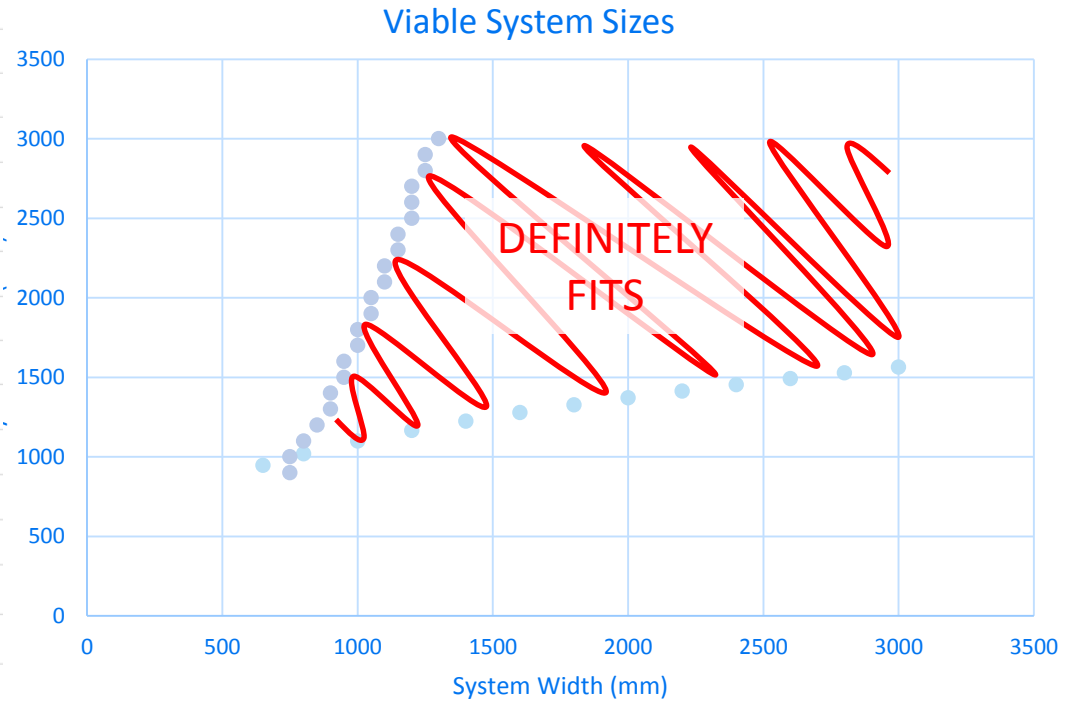
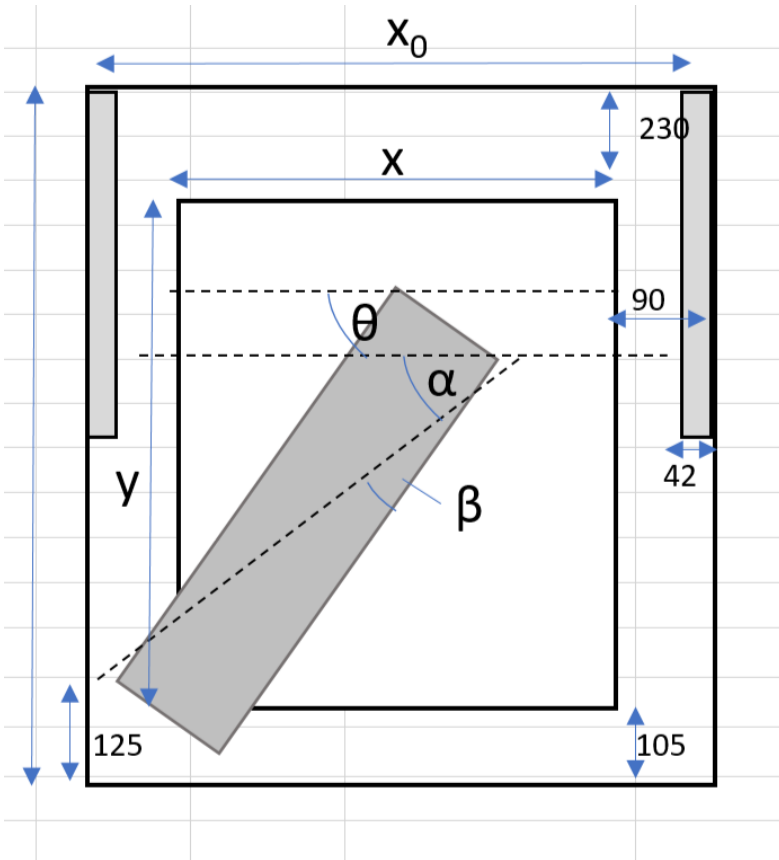


# Finishing

- Front cover features location v for screws
- Aluminium bracket fixed to top of front cover and plasterboard or similar, for finishing edge
- Fix bracket and plasterboard to front cover before install as one assembly
- Aluminium side cover for duo screen coming soon



# Considerations – will it fit?





# Limitations

1. Single system 3x3 (9'10 1/8")
2. Meet in middle system 3x6 (9'10 1/8" x 19' 8 1/4")
3. Guides are slightly wider than standard TESS™660

# Available now

1. Product
2. Component bundles
3. Demo units
4. Installation drawings





# Coming soon

- Edge strip
- Smaller hem bar
- Datasheet
- Instruction Manual





**Guthrie Douglas**

+44 (0)1926 310850  
[projects@guthriedouglas.com](mailto:projects@guthriedouglas.com)

12 HEATHCOTE WAY  
WARWICK, CV34 6TE  
UNITED KINGDOM