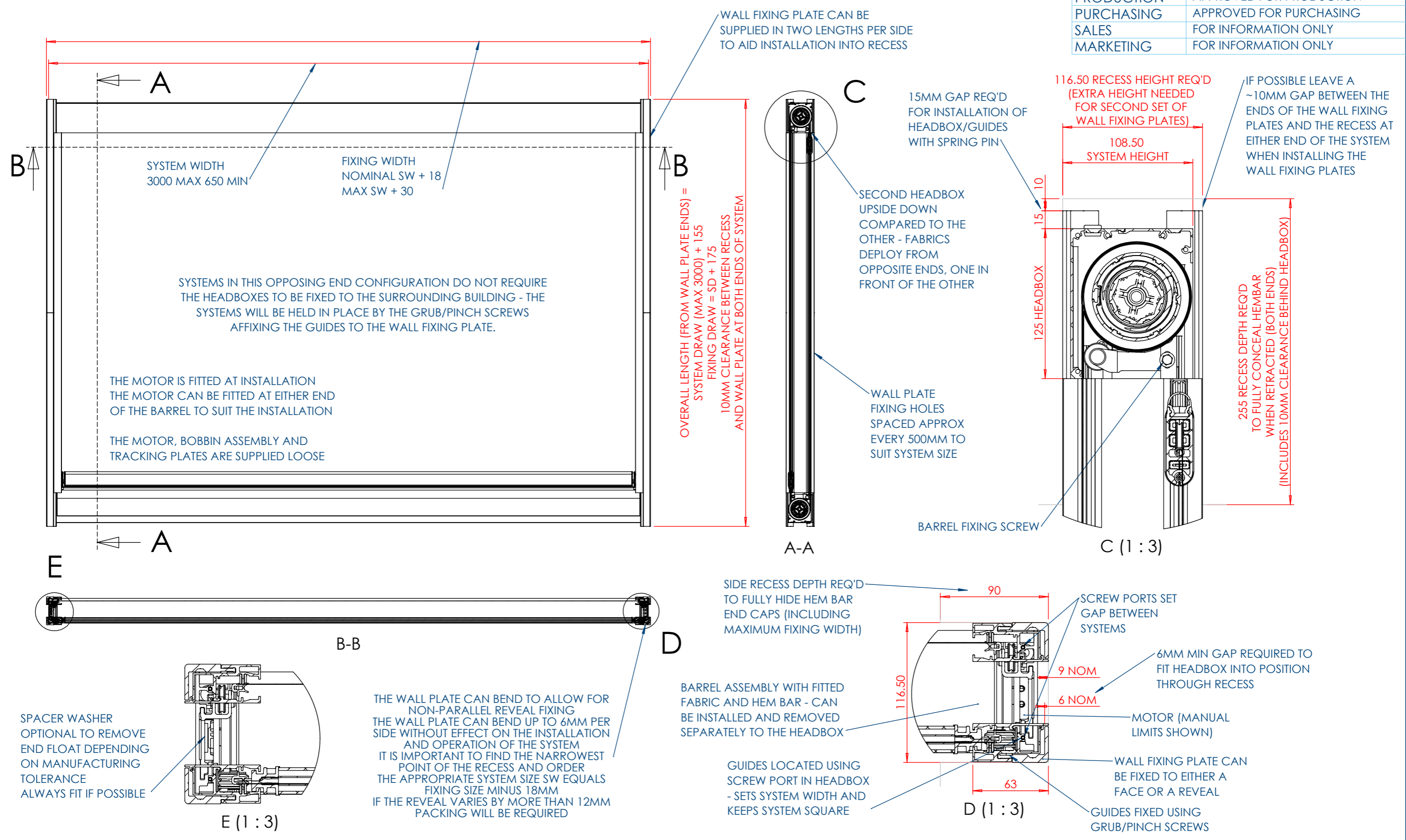
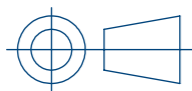


PRODUCTION	APPROVED FOR PRODUCTION
PURCHASING	APPROVED FOR PURCHASING
SALES	FOR INFORMATION ONLY
MARKETING	FOR INFORMATION ONLY



THIRD ANGLE PROJECTION 	This drawing is copyright and the exclusive property of GUTHRIE DOUGLAS GROUP LTD and must not be copied, used or exhibited without prior written consent.			Customer		Product Group		Item No.
	Guthrie Douglas 12 Heathcote Way, Heathcote Industrial Estate, Warwick CV34 6TE, UK Tel : (01926) 310850 Fax : (01926) 832914			Material	Scale	Size	TESS 660 SOLAR	
REMOVE ALL SHARP EDGES IF IN DOUBT ASK DO NOT SCALE GENERAL TOLERANCES TO ISO2768-m ALL DIMNS.IN mm DRAWN TO BS308			Surface Finish	1:15	A3	Drawn hannah.southan Date 05-11-2018 Checked Hannah.Southan Date 13-05-2019		
				Special	INSTALLATION DRAWING DUO SCREEN (OPP ENDS) RECESS FIX SYSTEM		DRG.NO: GDP25433 / 02 SHEET 1 OF 1 SHEETS	