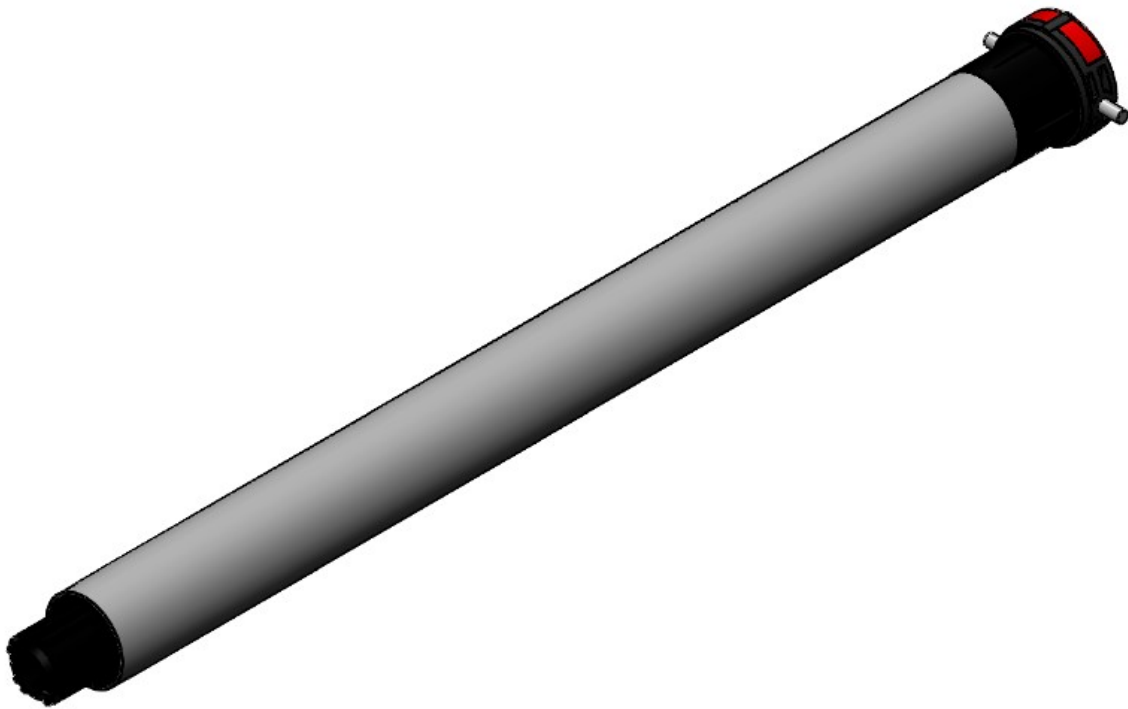


# TESS™ Motor Limit Setting

## Mechanical and Radio Limit Manual For Simu and Somfy Motors



Please read these instructions in full prior to starting your installation.

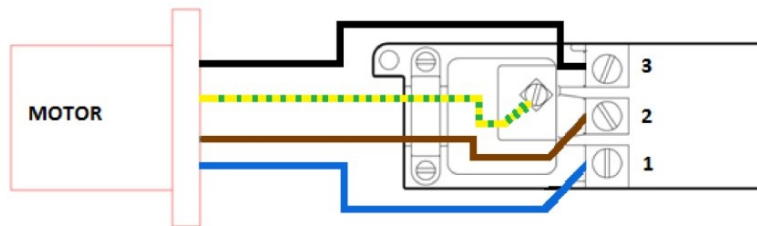
**Guthrie Douglas**

## **Contents**

<b>1. Hirschmann Fitting .....</b>	<b>3</b>
<b>2. Mechanical Motor Limit Setting - Simu Type 5.....</b>	<b>4</b>
<b>3. Mechanical Motor Limit Setting - Somfy Sonesse 40 .....</b>	<b>4</b>
<b>4. Push Button Motor Limit Setting - Somfy .....</b>	<b>5</b>
<b>5. Radio Motor Limit Setting.....</b>	<b>6</b>

# 1. Hirschmann Fitting

**HIRSCHMANN  
STAS3**

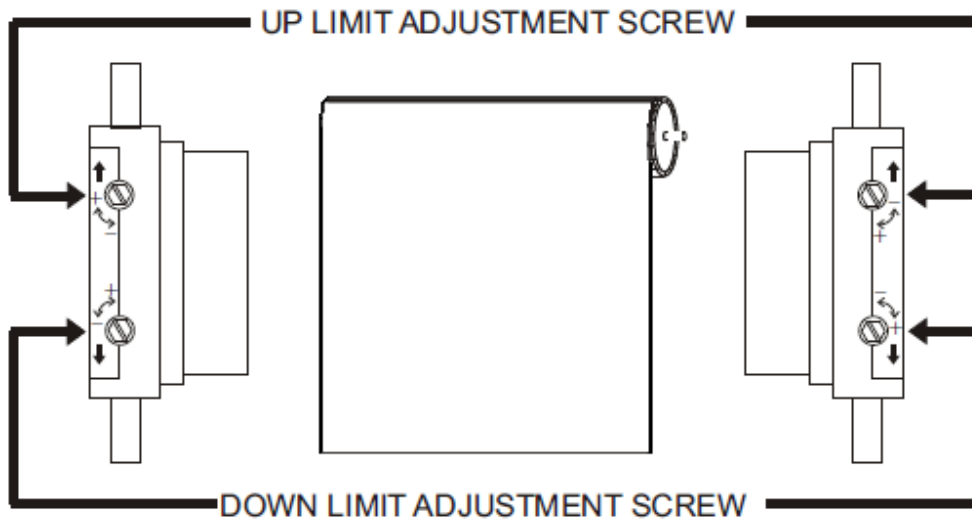


3. BLACK  
2. BROWN  
1. BLUE  
GROUND. YELLOW/GREEN

## Hirschmann Plug Fitting

- The diagram above shows the Hirschmann plug wiring as per Guthrie Douglas (GDE50360).

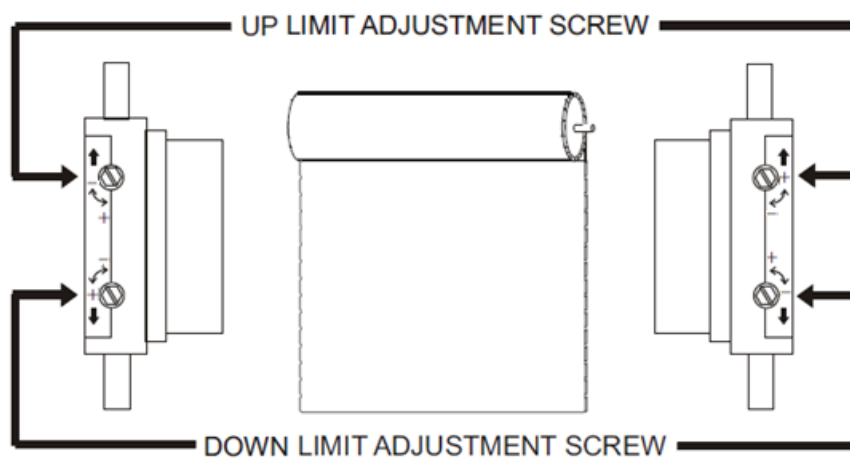
## 2. Mechanical Motor Limit Setting - Simu Type 5



### 2.1.

- Identify the adjustment screw controls.
- When the material rolls down on the same side as the limit adjusters, the upper adjuster controls the upper limit and the lower adjuster controls the lower limit (note – these are reversed when the material rolls down on the opposite side to the limit adjusters).
- Upper limit – by turning the limit adjuster clockwise the barrel will continue to retract, turning the limit adjuster counter clockwise will lower the limit (when lowering the limit remember to deploy and retract the system using the hand controls to ensure that the limit is correct).
- Lower limit – by turning the limit adjuster clockwise the limit will become shorter, turning the limit adjuster counter clockwise will lower the limit (when lowering the limit remember to retract and deploy the system using the hand controls to ensure that the limit is correct).
- When close to the desired position make small adjustments to the limit adjusters, retract and deploy the system away from the limit by approximately 2-3 feet, this will allow you to accurately set the limit.
- If the motor does not stop near to the limit position stop the motor with the hand controls and turn the limit adjuster counter clockwise, continue turning until the motor stops (this could be up to 120 turns of the adjuster).

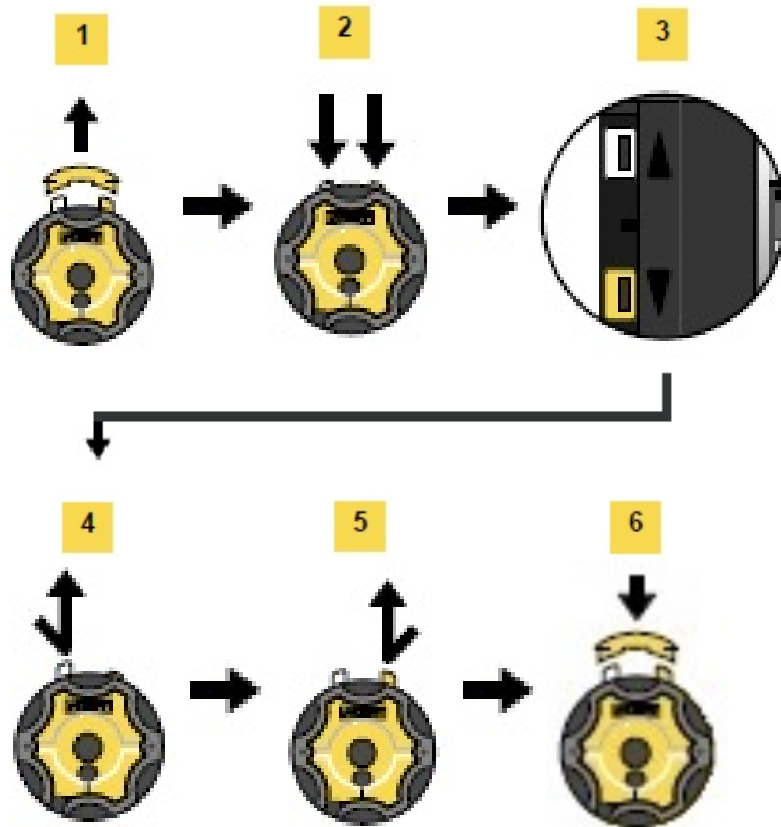
## 3. Manual Motor Limit Setting - Somfy Sonesse 40



### 2.2.

- Use method as above.
- Turning direction of limit adjuster is reversed.

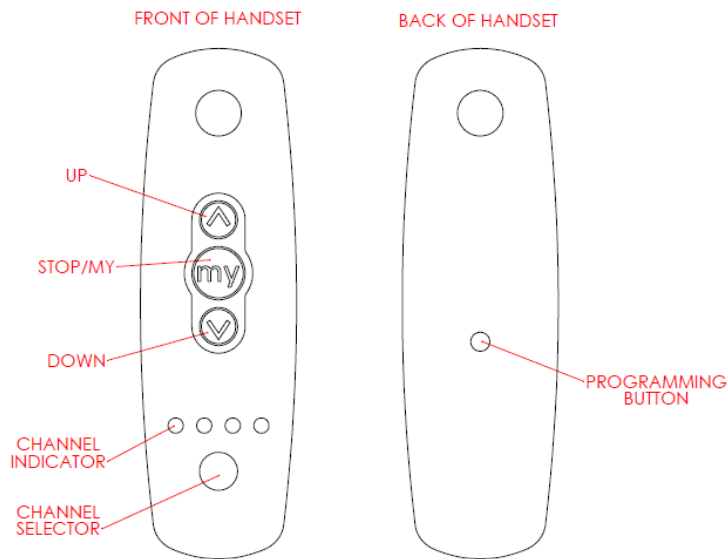
## 4. Push Button Motor Limit Setting - Somfy



### 2.1.

1. Remove the protective cap from the head of the motor.
2. Fully depress both limit switch buttons. They will automatically lock down into position. Operate the system to confirm movement in both directions.
3. Deploy hem bar away from barrel.
4. Identify the up limit switch. Depress one of the buttons and check system operation. If correct limit is obtained depress the button again and move hem bar to correct limit position. Depress button to activate limit.
5. Identify lower limit position. For the lower limit position repeat the previous step, moving the hem bar to the lower limit position.
6. Replace the protective cap—take care not to depress the buttons.

## 5. Radio Motor Limit Setting



### Important

- Only power up one motor at a time.
- Have the handset within 3m of the motor during setting process.
- Motors acknowledge by running briefly in both directions.
- Motor will only run in deadman (impulse) mode until a transmitter is added to the memory.

### Setting motor limits

1. Connect the mains supply to the motor. This should be via an isolator switch in case programming has to be wiped.
2. Press the up and down button at the same time to initiate programming, the motor will acknowledge. The motor operation will be impulse only at this stage.

### Checking the motor direction

1. Press the up button on the handset. The blind should retract. If the motor direction is incorrect then press the middle stop button for approximately 3 seconds. The motor will acknowledge and the direction will have been reversed.

### Setting the end limits

1. Press and hold the down button and the motor will deploy. Continue this until the required deployed position is reached, use the up/down buttons to achieve the correct position. To memorise the fully deployed position press the stop and up button simultaneously. The motor will then run automatically in the retract direction.
2. When the motor arrives at the desired retract position press the stop button. Should it be necessary to adjust the final position use the up/down buttons.
3. To memorise the limit position press the stop and down buttons simultaneously. The motor will now run in the deploy direction automatically.

### Confirming the master transmitter

1. To validate the settings press and hold the stop button for 2 seconds (the motor will acknowledge) then press the programming button for approximately 1 second, the motor will acknowledge again. This is now the master handset and can be used to programme additional handsets.

## 5. Radio Motor Limits Setting Cont.....

### Programming additional handsets

1. To program additional handsets do the following: press the master handset programming key for approximately 3 seconds, the motor will acknowledge. Take the new handset and select the required channel. Press the programming key for 1 second, the motor will again acknowledge and is now programmed.

### Re-adjustment of end limits

The end limits can be altered as follows:

1. Go to the required limit position.
2. Press simultaneously the up/down buttons for approximately 5 seconds, the motor will acknowledge.
3. Adjust the motor to the new position with the up/down buttons.
4. Validate the new position by pressing the stop button for 2 seconds; the motor will acknowledge.

Please note: the motor must be on the limit to be adjusted. If the limit cannot be reached then the programming will have to be cancelled and the re-started.

### Cancelling the Programming & Settings

1. In order to undertake this successfully a mains power switch is essential and the timings are given to the minimum. If the timing is too quick then the programming will not be cancelled and will have to be repeated.
2. As a safety precaution, use the up/down button to deploy/retract the system to a central position away from either pre existing limits.
3. Turn off the power supply to all other motors that you do not want cancelled out of the programming. Failure to do so will cancel all programmed motors.
4. With the mains switch turn OFF the power supply for 2 seconds.
5. Switch ON the power supply for 10 seconds.
6. Switch OFF the power supply for 2 seconds.
7. Switch the power supply back ON and the motor will run in a random direction for 5 seconds.
8. Validate the programming by pressing and holding the "programming key" for more than 7 seconds. Maintain pressure on the programming key, the motor will acknowledge and a few seconds later the motor will acknowledge again. If this does not happen then the cancellation of the programming is not complete and it will have to be repeated from the beginning.

### Faulty programming

1. If during the programming process the mains supply is turned off then back on then a situation could be encountered where the motor will do nothing. This is because the programming mode is still active.
2. Complete the operation by pressing the programming key. This will take the motor out of programming and it can then have the programming cancelled to restore it to "factory default" the programming process can then be repeated.

### MY Position

When systems are fitted with RTS motors and are installed in areas at low level where there is possibility of fingers being trapped etc, it is recommended that the MY Position is utilised, the supplied handset is fully compatible with this feature. This is an intermediate limit position setting and utilising this function is recommended.

Note: The system hem bar is a direct drive from the motor and will only stop once maximum motor torque is reached.

1. Set hem bar to desired safety position (position must not be an end limit).
2. Press and hold the stop button on the transmitter, the motor will acknowledge this new setting

# **Guthrie Douglas**

---

## **Guthrie Douglas Group Limited**

12 Heathcote Way,  
Heathcote Industrial Estate,  
Warwick,  
UK,  
CV34 6TE  
E-mail: [solar@guthriedouglas.com](mailto:solar@guthriedouglas.com)  
Web site: [www.guthriedouglas.com](http://www.guthriedouglas.com)  
Tel: +44 (0)1926 310 850

Tess Motor Limit Setting Manual. Issue 3 (DR1326. August 2019)