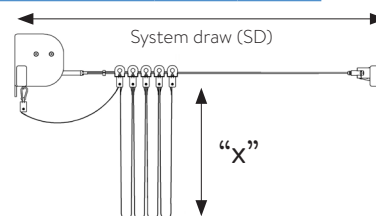
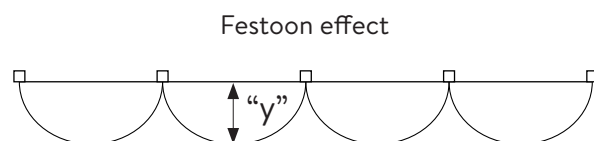
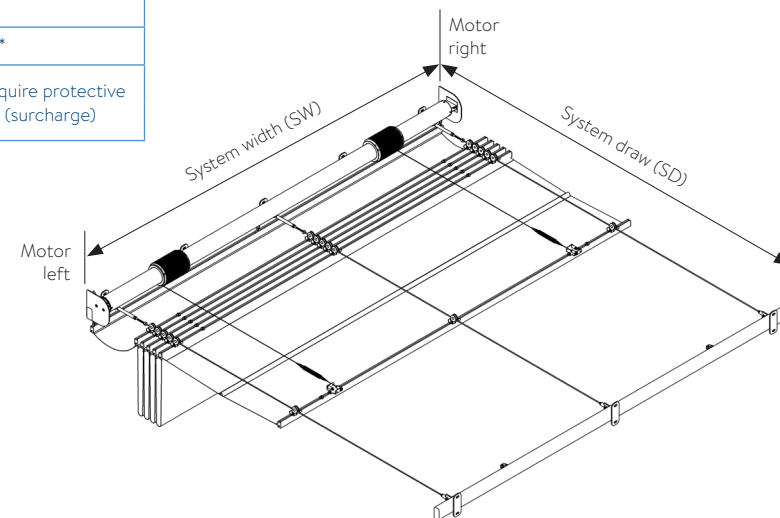


YOUR DETAILS				DELIVERY DETAILS (Standard lead time 4-6 weeks)			
Company		Contact		Required delivery date			
Email		Phone		Delivery address			
Address		Order no.		Delivery options			
		Quote no.			Customer to collect (ExWorks)	GD to deliver (DAP - surcharge)	
		Project					

SYSTEM DIMENSIONS (IN MM – MAX AREA 100m²)						MOTOR SIDE		LOCATION	
POS	QTY	WIDTH (SW) (max 6000 mm)	DRAW (SD) (max 18000 mm)	Festoon effect "y" (in mm)	Max. retracted depth "x" (in mm)	LEFT	RIGHT	Internal	External*
1								*frames will require protective galvanising (surcharge)	
2									
3									
4									
5									
6									
TOTAL									



POWDER COATING OPTIONS					MOTOR CONTROL			FABRIC SUPPLY OPTIONS					
REF					All radio transmitters below are battery powered			Supplied by Guthrie Douglas (not pre-fitted)		No fabric			
	RAL 9016 30% (traffic white matt = standard)				Hard Wired		Radio						
3075	Other RAL, specify below (surcharge)				REF	RADIO TRANSMITTERS		QTY		FABRIC SELECTION			
3070	RAL		GLOSS LEVEL		7349	1 channel (hand held)				Fabric type			
		30% matt	70% satin	90% gloss	7350	4+1 channel (hand held)				Colour code			
					7351	16 channel (hand held)				Fabric side/colour on top			
					7352	1 channel (wall mounted)				Pocket welds	Top / Bottom		
MOTOR VOLTAGE OPTIONS					ACCESSORIES								
REF					REF			REF			REF		
	Standard motor voltage: 230V AC/50 Hz				3522	Hirschmann plug		3607	Cable cutter (Ø5mm cable to cut onsite)		6424	Tension gauge for guide cable	
	Special motor voltage: 110V AC/60 Hz				FORM COMPLETED BY								
					PRINT NAME		SIGNATURE		REGISTERED INSTALLER		DATE		