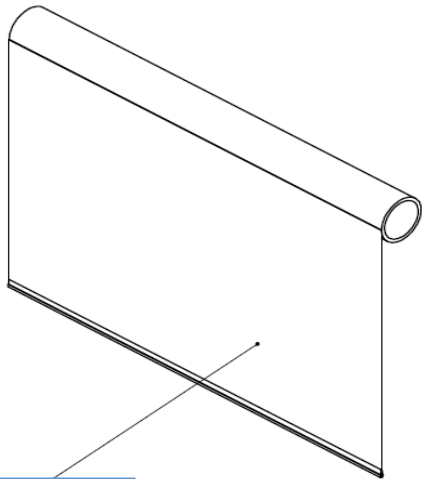
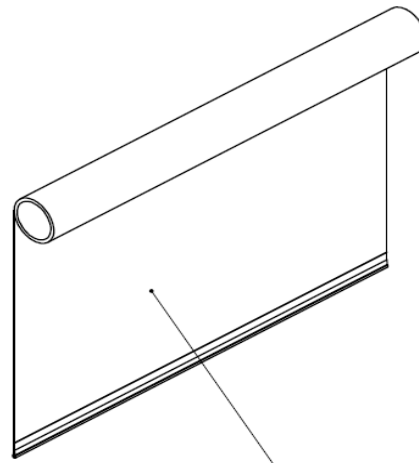


TESS™ 308/312 FABRIC ORDER FORM

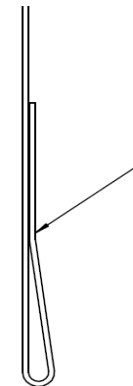
FABRIC SUPPLIED AND FITTED BY GUTHRIE DOUGLAS		OTHER FABRIC SUPPLY OPTIONS	
Fabric type		Supplied by customer, Guthrie Douglas to fit (surcharge)	
Colour code*		No fabric	
*Please refer to the Guthrie Douglas approved fabrics colour chart www.guthriedouglas.com/fabric-choices		Supply notes for all system fabrics <ul style="list-style-type: none"> Depending on the system width mid welds may be present parallel to the fabric roller. The position of the welds or their orientation cannot be guaranteed. 	



SIDE A	
Colour	



SIDE B	
Colour	



POCKET WELD TO BE ON	
	Side A
	Side B