

## TESS™ system prices valid from 1st of January 2024

Due to the current volatile materials market and increases in shipping costs we have been forced to increase our cost on TESS™ systems contained within this price list. We are continuing to monitor the markets and will adjust our prices if and when necessary.

# TESS™ SYSTEMS TRADE PRICE LIST

€ EURO (excl. VAT)



# CONTENTS

- 2 Introduction
- 3 Introduction continued
- 4 TESS™ 100 series – Internal tension shading
- 5 TESS™ 200 – Large internal tension system
- 6 TESS™ 300 series – Internal vertical roller blind
- 8 TESS™ 400 series – External tension system
- 9 TESS™ 512 – Internal and external pergola system
- 10 TESS™ 600/640/601/602 – Compact tension system
- 11 TESS™ 660 – Blackout zip tension system
- 12 Other systems and spare parts

All prices valid until 31<sup>st</sup> December 2024

## INSTALLATION TRAINING

- TESS™ systems are technical products and installation must be supervised by an installer with appropriate GD training. A register of trained installers is held by GD.
- System installation without supervision by a GD trained installer invalidates the product warranty, and any after sales investigation/ rectification work will be chargeable.
- Training is available free of charge at our premises in Warwick, UK or via an online platform. Training is also available with reasonable notice at customer premises or on site, for a charge of 1165 €/ day plus expenses
- As a general rule, one day of training is appropriate for each TESS™ system. Multi-day intensive training programs covering multiple systems can also be planned on request.
- For some territories, GD maintain a recommended subcontractor installer list. Please enquire for details.

## PRODUCT WARRANTY AND TERMS AND CONDITIONS

- Guthrie Douglas warrants the goods against defective materials and faulty workmanship for a period of twenty-four months from the date of delivery. For full terms and conditions and product warranty please contact sales@guthriedouglas.com or download the relevant documents [here](#).

## TESS™ DIMENSIONS

- System width and system draw of a TESS™ system are measured from the outside of the brackets and return pulleys. Please refer to the corresponding installation drawing, available [here](#) on our website.

## SCOPE OF SUPPLY

- All prices exclude VAT and include the complete TESS™ system with mounting brackets, motor and instructions.
- This price list is valid for any projects with <= 10 systems. For larger projects, contact: sales@guthriedouglas.com.
- All prices include a choice of mounting brackets for different installation configurations. Datasheets with all details can be downloaded [here](#) from our website.

## FABRIC

- All TESS™ system prices include a standard screen fabric from the Guthrie Douglas collection, available [here](#).

Three Guthrie Douglas fabric types are available:

- Standard screen fabric
- Specialist screen fabric
- Blackout fabric

- Blackout fabrics and specialist screen fabrics are available for all systems at an additional cost. Details are shown on the individual price lists or in the options section on page 3.

- Fabrics are pre-fitted to the TESS™ system before delivery.

# CONTENTS

2	Introduction	8	TESS™ 400 series – External tension system
3	Introduction continued	9	TESS™ 512 – Internal and external pergola system
4	TESS™ 100 series – Internal tension shading	10	TESS™ 600/640/601/602 – Compact tension system
5	TESS™ 200 – Large internal tension system	11	TESS™ 660 – Blackout zip tension system
6	TESS™ 300 series – Internal vertical roller blind	12	Other systems and spare parts

All prices valid until 31<sup>st</sup> December 2024

## MOTORS AND CONTROLS

- All TESS™ system prices include a 240V tubular motor with manual limit setting. Radio controlled motors are available for an additional fee, see options on this page.
- Remote control hand sets are available for radio-controlled motors at additional cost, in single channel and multichannel versions, see options on this page.

## POWDER COATING

- All TESS™ system prices include powder coating of exposed aluminum and carbon steel parts to RAL 9016 traffic white at 30% gloss level.
- The following colours are examples of available alternative CAT. A colours which incur an additional setup charge. CAT. B colours incur an additional charge per system.  
Download our list of RAL colour categories [here](#) from our website.  
**Examples of CAT. A colours**  
RAL 7015 30% slate grey  
RAL 7031 30% bluey grey  
RAL 9001 30% cream  
RAL 9005 30% jet black

## PACKING AND DELIVERY

- For all delivery options and prices, including triwall cardboard boxes, wooden crates or dedicated vehicles, standard delivery or express delivery, please contact [sales@guthriedouglas.com](mailto:sales@guthriedouglas.com).

## MANUFACTURING AND DELIVERY TIMES

- The standard manufacturing time is 4-6 weeks, to the point when goods are packed and ready for transport.
- Manufacturing will only start after receipt of a fully complete Guthrie Douglas order form, a customer purchase order number and any pre-payments if required.

## OPTIONS

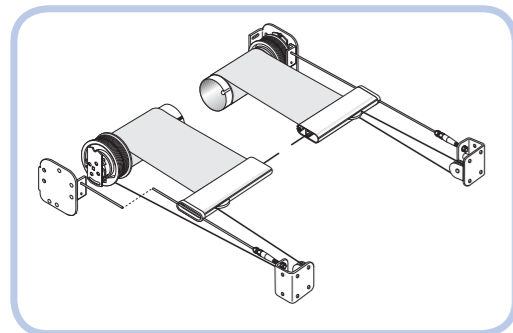
- Listed below are some of the additional available options. For further information and options, please contact our sales department.

Guthrie Douglas specialist or blackout fabric (for TESS™100 series, TESS™400 series and TESS™600 series)	83.55 €	per TESS™ System
Hirschmann plug & socket	32 €	
Radio control motor surcharge (TESS™ 100 series, TESS™ 308 and TESS™ 400 series)	86.80 €	
Radio control motor surcharge (TESS™ 200, TESS™ 312 and TESS™ 512)	142.85 €	
Radio control motor surcharge for TESS™ 600 series	no surcharge	per controller (for radio controlled motor)
1 channel Somfy handset	67.20 €	
4+1 channel Somfy handset	102.95 €	
1 channel Somfy wall switch	74.95 €	
Supplement for powder coat CAT. A from standard RAL colour list	383.20 €	per order

# TESS™ 100 SERIES

## TESS™ 140 UNIVERSAL WIRE GUIDED SYSTEM

Designed to deliver reliability, discretely



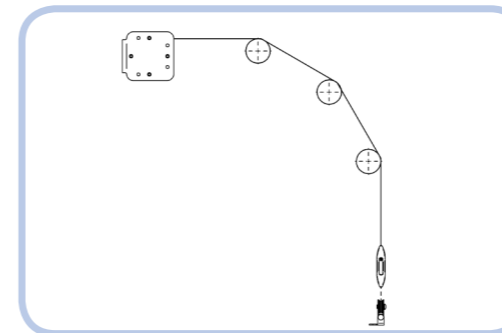
[ORDER HERE](#)

SYSTEM DRAW (MM)	SYSTEM WIDTH (MM)		
	1150–2000	2001–3000	3001–4000
< 2000	1 548.00 €	1 751.15 €	1 998.45 €
2001 – 3000	1 664.65 €	1 899.35 €	2 198.45 €
3001 – 4000	1 765.50 €	2 072.20 €	2 423.15 €
4001 – 5300	1 948.90 €	2 322.95 €	2 741.25€*
5301 - 6500	2 064.50 €	2 500.80 €*	contact us

\* max 18 m<sup>2</sup>

## TESS™ 100 INTERNAL UNGUIDED SYSTEM

Freedom to move round curves



[ORDER HERE](#)

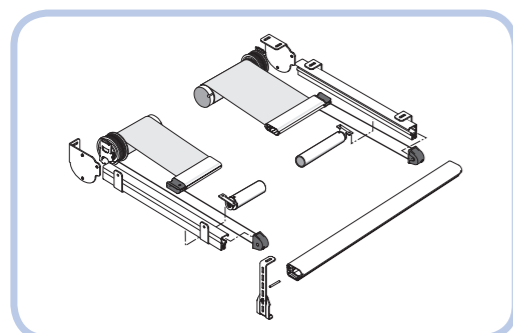
SYSTEM DRAW (MM)	SYSTEM WIDTH (MM)		
	1150–2000	2001–3000	3001–4000
< 2000	1 622.55 €	1 892.65 €	2 001.35 €
2001 – 3000 <sup>1</sup>	1 872.10 €	2 237.15 €	2 471.25 €
3001 – 4000 <sup>2</sup>	2 121.20 €	2 581.60 €	2 941.20 €
4001 – 5300 <sup>2</sup>	2 246.50 €	2 774.30 €	contact us
5301 - 6500 <sup>2</sup>	2 362.10 €	2 952.10 €*	not available

\* max 16 m<sup>2</sup>

<sup>1</sup> or <sup>2</sup> number of relieving rollers included

## TESS™ 120 INTERNAL RAIL GUIDED SYSTEM

Designed to minimise the load imposed on your structure



[ORDER HERE](#)

SYSTEM DRAW (MM)	SYSTEM WIDTH (MM)		
	1150–2000	2001–3000	3001–4000
< 2000	1 704.10 €	1 906.15 €	2 106.30 €
2001 – 3000	1 853.50 €	2 107.10 €	2 359.00 €
3001 – 4000 <sup>1</sup>	2 118.35 €	2 453.60 €	2 806.25 €
4001 – 5300 <sup>1</sup>	2 296.40 €	2 698.85 €	contact us
5301 - 6500 <sup>1</sup>	2 464.80 €	2 929.40 €*	not available

\* max 16 m<sup>2</sup>

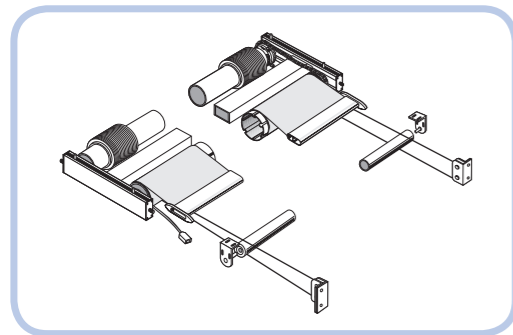
<sup>1</sup> number of relieving rollers included

Installation must be supervised by a trained installer to fulfil the product warranty.  
See page 2 for details.

# TESS™ 200

## TESS™ 200 LARGE INTERNAL TENSION SYSTEM

Designed to cover huge spaces



**ORDER HERE**

### Standard screen fabric

SYSTEM DRAW (MM)	SYSTEM WIDTH (MM)		
	1300–2000	2001–3000	3001–4000
< 6000 <sup>1</sup>	4 898.10 €	5 793.75 €	6 723.15 €
6000-8000 <sup>2</sup>	5 405.00 €	6 522.00 €	7 702.05 €
8001-10000 <sup>2</sup>	5 760.00 €	7 054.00 €	8 411.05 €
10001-12000 <sup>3</sup>	6 266.95 €	7 781.35 €	9 389.95 €
12001-14000 <sup>4</sup>	6 967.50 €	8 722.35 €	10 595.50 €
14001-16000 <sup>4</sup>	7 322.60 €	9 254.35 €	10 950.50 €*
16001-18000 <sup>5</sup>	7 829.55 €	9 981.65 €	11 219.40 €*

\* max surface area 60m<sup>2</sup>

<sup>1 2 3 4</sup> or <sup>5</sup> number of relieving rollers included

### Specialist or blackout fabric

SYSTEM DRAW (MM)	SYSTEM WIDTH (MM)		
	1300–2000	2001–3000	3001–4000
< 6000 <sup>1</sup>	5 357.10 €	6 482.75 €	7 641.15 €
6000-8000 <sup>2</sup>	6 017.00 €	7 440.00 €	8 925.05 €
8001-10000 <sup>2</sup>	6 524.00 €	8 201.00 €	9 940.05 €
10001-12000 <sup>3</sup>	7 184.95 €	9 158.30 €	11 224.95 €
12001-14000 <sup>4</sup>	8 038.60 €	10 328.35 €	12 737.50 €
14001-16000 <sup>4</sup>	8 545.60 €	11 089.35 €	13 244.50 €*
16001-18000 <sup>5</sup>	9 206.55 €	12 046.65 €	13 513.40 €*

\* max surface area 60m<sup>2</sup>

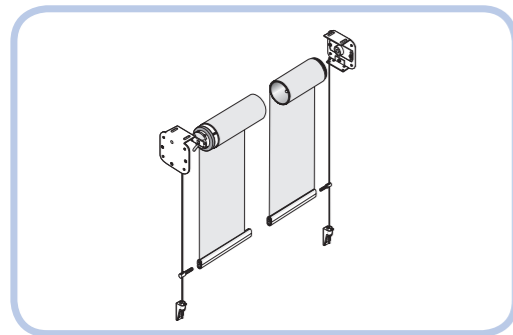
<sup>1 2 3 4</sup> or <sup>5</sup> number of relieving rollers included

Installation must be supervised by a trained installer to fulfil the product warranty.  
See page 2 for details.

# TESS™ 300 SERIES

## TESS 308™ INTERNAL LARGE ROLLER BLIND

A vertical drop blind for large spaces, engineered for strength and stability



[ORDER HERE](#)

### Standard screen fabric

SYSTEM DRAW (MM)	SYSTEM WIDTH (MM)			
	970 - 1500	1501 - 2500	2501 - 3500	3501 - 4200
< 3000	1 354.70 €	1 714.75 €	1 968.75 €	2 145.75 €
3001 – 4500	1 544.70 €	2 031.75 €	2 411.75 €	2 676.75 €
4501 – 6000	1 734.70 €	2 347.75 €	2 854.75 €	3 208.75 €

### Specialist or blackout fabric

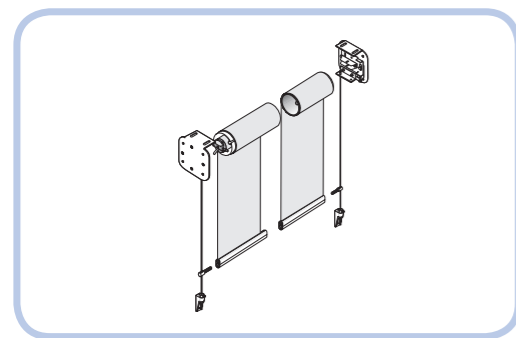
SYSTEM DRAW (MM)	SYSTEM WIDTH (MM)			
	970 - 1500	1501 - 2500	2501 - 3500	3501 - 4200
< 3000	1 518.70 €	1 988.75 €	2 350.75 €	2 604.75 €
3001 – 4500	1 790.70 €	2 441.75 €	2 984.75 €	3 365.75 €
4501 – 6000	2 062.70 €	2 894.75 €	3 618.75 €	4 126.75 €

Installation must be supervised by a trained installer to fulfil the product warranty.  
See page 2 for details.

# TESS™ 300 SERIES

## TESS 312™ INTERNAL EXTRA LARGE ROLLER BLIND

A vertical drop blind for large spaces, engineered for strength and stability



**ORDER HERE**

### Standard screen fabric

SYSTEM DRAW (MM)	SYSTEM WIDTH (MM)			
	970 - 1500	1501 - 2500	2501 - 3500	3501 - 5000
< 3000	1 888.65 €	2 381.65 €	2 635.65 €	3 173.75 €
3001-4500	2 078.65 €	2 698.65 €	3 078.65 €	3 806.75 €
4501-6000	2 268.65 €	3 014.65 €	3 521.65 €	4 439.75 €
6001-7000	2 395.65 €	3 225.65 €	3 816.65 €	4 861.75 €
7001-8000	2 521.65 €	3 436.65 €	4 111.65 €	5 283.75 €
8001-9000	2 648.65 €	3 647.65 €	4 407.65 €	5 705.75 €
9001-10000	2 774.65 €	3 858.65 €	4 702.65 €	6 127.75 €
10001-11000	2 901.65 €	4 069.65 €	4 997.65 €	6 549.75 €
11001-12000	3 027.65 €	4 280.65 €	5 293.65 €	6 971.75 €

### Specialist or blackout fabric

SYSTEM DRAW (MM)	SYSTEM WIDTH (MM)			
	970 - 1500	1501 - 2500	2501 - 3500	3501 - 5000
< 3000	2 052.65 €	2 655.65 €	3 017.65 €	3 720.75 €
3001-4500	2 324.65 €	3 108.65 €	3 651.65 €	4 626.75 €
4501-6000	2 596.65 €	3 561.65 €	4 285.65 €	5 532.75 €
6001-7000	2 777.65 €	3 863.65 €	4 708.65 €	6 136.75 €
7001-8000	2 958.65 €	4 165.65 €	5 131.65 €	6 740.75 €
8001-9000	3 139.65 €	4 467.65 €	5 554.65 €	7 344.75 €
9001-10000	3 321.65 €	4 769.65 €	5 977.65 €	7 948.75 €
10001-11000	3 502.65 €	5 071.65 €	6 399.65 €	8 552.75 €
11001-12000	3 683.65 €	5 373.65 €	6 822.65 €	9 156.75 €

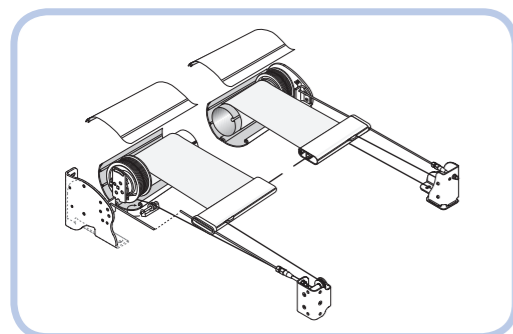
Installation must be supervised by a trained installer to fulfil the product warranty.  
See page 2 for details.



# TESS™ 400 SERIES

## TESS 440™ EXTERNAL WIRE GUIDED SYSTEM

Discrete design to blend in with your façade



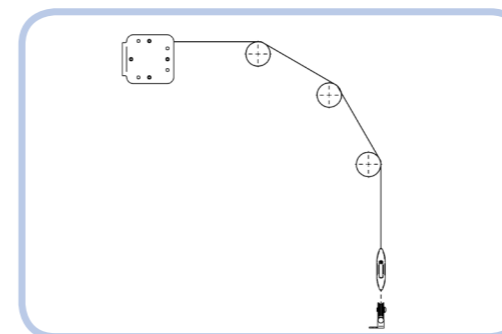
[ORDER HERE](#)

SYSTEM DRAW (MM)	SYSTEM WIDTH (MM)		
	1150 - 2000	2001 - 3000	3001 - 4000
< 2000	1 851.65 €	2 096.55 €	2 338.00 €
2001 – 3000	1 948.30 €	2 244.75 €	2 538.00 €
3001 – 4000	2 136.40 €	2 481.30 €	2 834.90 €
4001 – 5300	2 261.70 €	2 673.95 €	contact us
5301 - 6500	2 377.30 €	2 851.80 €*	not available

\* max 16 m<sup>2</sup>

## TESS 400™ EXTERNAL UNGUIDED SYSTEM

Freedom to move round curves



[ORDER HERE](#)

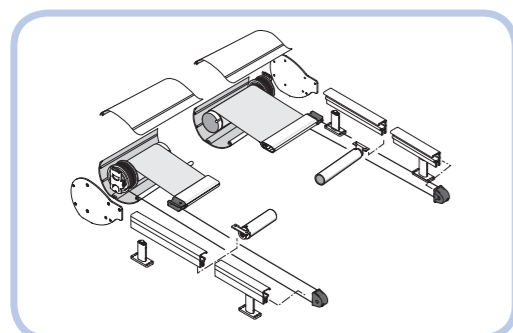
SYSTEM DRAW (MM)	SYSTEM WIDTH (MM)		
	1150 - 2000	2001 - 3000	3001 - 4000
< 2000	1 731.60 €	1 970.20 €	2 200.70 €
2001 – 3000 <sup>1</sup>	1 981.20 €	2 314.70 €	2 670.60 €
3001 – 4000 <sup>2</sup>	2 230.20 €	2 659.20 €	3 140.55 €
4001 – 5300 <sup>2</sup>	2 355.50 €	2 851.85 €	contact us
5301 - 6500 <sup>2</sup>	2 471.20 €	3 029.70 €*	not available

\* max 16 m<sup>2</sup>

<sup>1</sup> or <sup>2</sup> number of relieving rollers included

## TESS 420™ EXTERNAL RAIL GUIDED SYSTEM

Designed to minimise the load imposed on your structure



[ORDER HERE](#)

SYSTEM DRAW (MM)	SYSTEM WIDTH (MM)		
	1150 - 2000	2001 - 3000	3001 - 4000
< 2000	2 025.20 €	2 287.70 €	2 542.90 €
2001 – 3000	2 176.70 €	2 490.80 €	2 797.80 €
3001 – 4000 <sup>1</sup>	2 454.20 €	2 851.50 €	3 243.40 €
4001 – 5300 <sup>1</sup>	2 634.55 €	3 099.00 €	contact us
5301 - 6500 <sup>1</sup>	2 804.95 €	3 331.75 €*	not available

\*max 16 m<sup>2</sup>

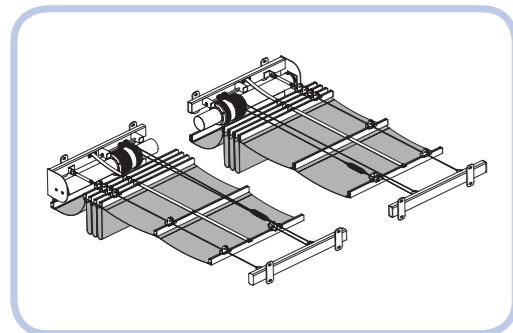
<sup>1</sup> number of relieving rollers included

Installation must be supervised by a trained installer to fulfil the product warranty.  
See page 2 for details.

# TESS™ 512

## TESS 512™ INTERNAL AND EXTERNAL PERGOLA SYSTEM

Horizontal terrace and atrium shading



**ORDER HERE**

### Standard screen fabric

SYSTEM DRAW (MM)	SYSTEM WIDTH (MM)			
	2000-3000	3001-4000	4001-5000	5001-6000
< 5000	5 927.55 €	7 594.00 €	7 969.00 €	8 344.00 €
5001-7000	6 741.50 €	8 703.50 €	9 228.50 €	9 752.50 €
7001-9000	7 555.50 €	9 813.00 €	10 487.00 €	11 162.00 €
9001-11000	9 005.40 €	11 658.30 €	12 483.30 €	13 308.30 €
11001-13000	10 455.50 €	13 727.75 €	14 702.75 €	15 677.75 €
13001-15000	11 268.40 €	14 837.30 €	15 962.30 €	17 086.30 €
15001-17000	12 082.40 €	15 946.80 €	17 220.80 €	18 495.80 €
17001-18000	12 489.40 €	16 501.55 €	17 850.55 €	19 200.55 €

System prices include fabric panel and 1 intermediate hembar per meter.

Price tables valid <= 2 systems

For external applications, please add galvanizing costs of 185 € per system

For larger project pricing contact: [sales@guthriedouglas.com](mailto:sales@guthriedouglas.com)

### Specialist or blackout fabric

SYSTEM DRAW (MM)	SYSTEM WIDTH (MM)			
	2000-3000	3001-4000	4001-5000	5001-6000
< 5000	6 412.55 €	8 241.00 €	8 778.00 €	9 314.00 €
5001-7000	7 420.50 €	9 609.50 €	10 360.50 €	11 111.50 €
7001-9000	8 428.50 €	10 977.00 €	11 943.00 €	12 909.00 €
9001-11000	10 072.40 €	13 082.30 €	14 262.30 €	15 443.30 €
11001-13000	11 716.50 €	15 409.75 €	16 805.75 €	18 200.75 €
13001-15000	12 724.40 €	16 778.30 €	18 388.30 €	19 998.30 €
15001-17000	13 732.40 €	18 146.80 €	19 970.80 €	21 795.80 €
17001-18000	14 236.40 €	18 830.55 €	20 762.55 €	22 694.55 €

System prices include fabric panel and 1 intermediate hembar per meter.

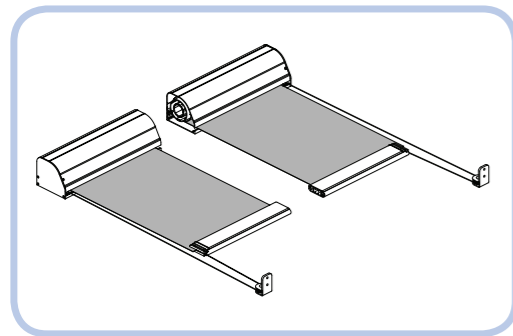
Price tables valid <= 2 systems

For external applications, please add galvanizing costs of 185 € per system

For larger project pricing contact: [sales@guthriedouglas.com](mailto:sales@guthriedouglas.com)

# TESS™ 600/640/601/602

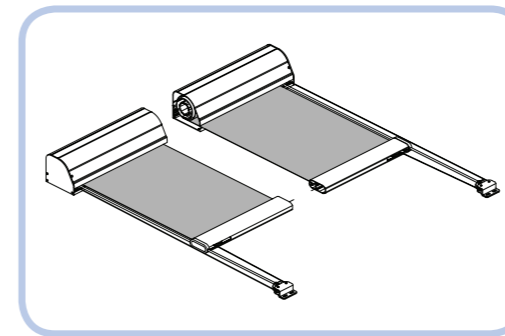
## TESS™ 640 CABLE GUIDED COMPACT



ORDER HERE

SYSTEM DRAW (MM)	SYSTEM WIDTH (MM)		
	650-1000	1001-2000	2001-3000
< 1500	1 514.60 €	1 657.20 €	1 827.10 €
1501 - 3000	1 591.60 €	1 797.40 €	2 030.70 €

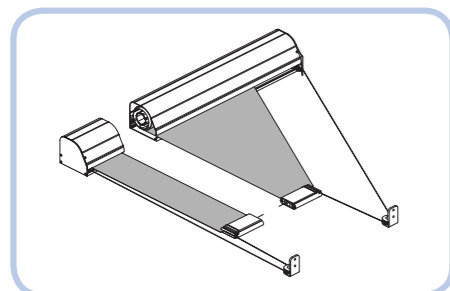
## TESS™ 600 UN-GUIDED COMPACT



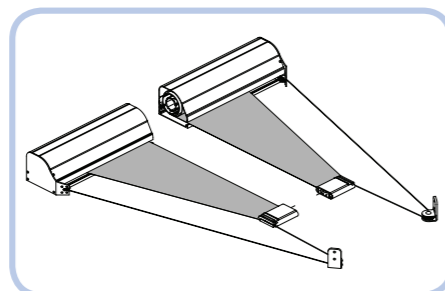
ORDER HERE

SYSTEM DRAW (MM)	SYSTEM WIDTH (MM)		
	650-1000	1001-2000	2001-3000
< 1500	1 343.60 €	1 480.10 €	1 641.45 €
1501 - 3000	1 402.40 €	1 602.10 €	1 826.60 €

## TESS 601/602 TRIANGULAR / TRAPEZE COMPACT



ORDER HERE



SYSTEM DRAW (MM)	SYSTEM WIDTH (MM)		
	650-1000	1001-2000	2001-3000
< 1500	1 551.10 €	1 690.50 €	1 854.90 €
1501 - 3000	1 609.95 €	1 812.55 €	2 040.00 €

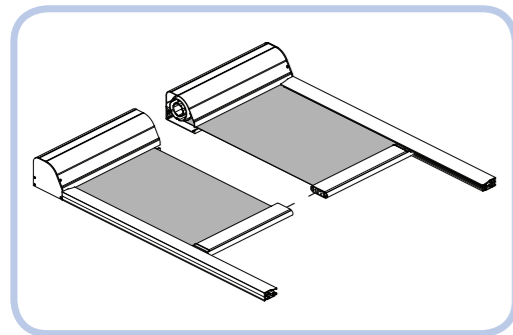
Due to the complexities related to the design of bespoke TESS™601/602 systems, engineering support may be required (chargeable service). Please contact us for quotation if required.

Installation must be supervised by a trained installer to fulfil the product warranty.  
See page 2 for details.

# TESS™ 660

## TESS™ 660 BLACKOUT ZIP TENSION SYSTEM

Zero light gap tension screen



[ORDER HERE](#)

### Single TESS™ 660 system with 1 headbox

SYSTEM DRAW (MM)	SYSTEM WIDTH (MM)		
	650-1000	1001-2000	2001-3000
<1500	1 709.55 €	1 852.10 €	2 004.10 €
1501-3000	1 840.50 €	2 060.20 €	2 270.40 €
3001-4500*	1 971.40 €	2 258.80 €	2 536.70 €**

\* larger headbox TESS™ 660L see datasheet  
 \*\* horizontal installation: TESS™660L max. system width=2500mm

### Twin system with 2 headboxes (one at each end)

SYSTEM DRAW (MM)	SYSTEM WIDTH (MM)		
	650-1000	1001-2000	2001-3000
4501-6000	2 867.40 €	3 239.40 €	3 701.90 €
6001-9000*	3 135.40 €	3 643.00 €	4 244.25 €**

\* larger headbox TESS™ 660L see datasheet  
 \*\* horizontal installation: TESS™660L max. system width=2500mm

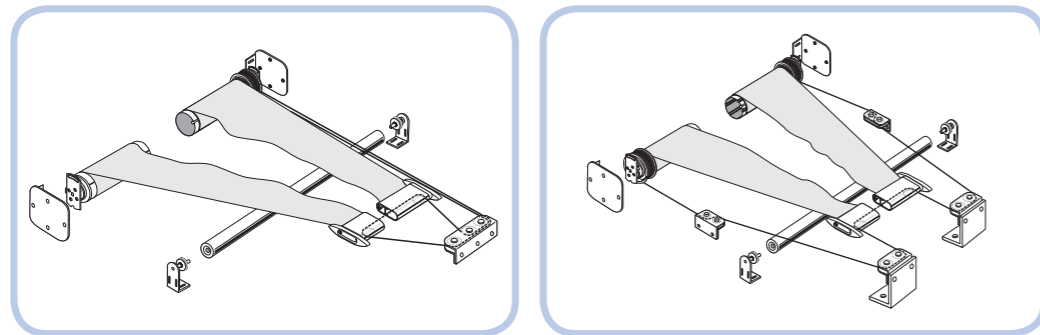
Installation must be supervised by a trained installer to fulfil the product warranty.  
 See page 2 for details.

# OTHER SYSTEMS

The following systems are also available to meet your specific requirements.  
For a quotation please contact our sales department

## TESS™ 101 AND TESS™ 102

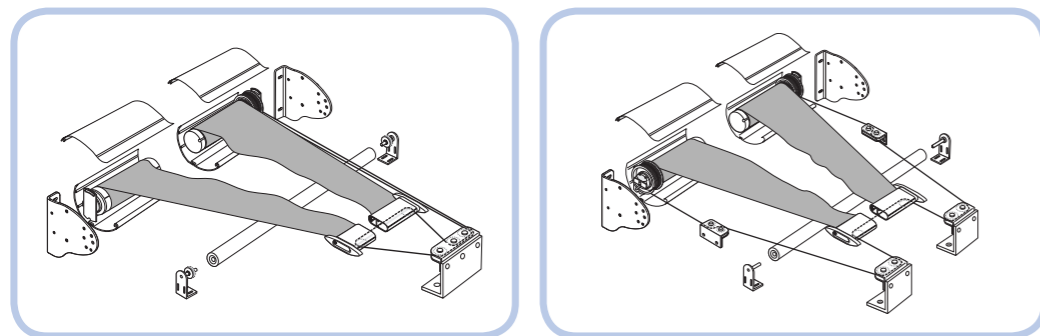
Internal triangles and trapezoids



- Up to 6500mm draw
- Up to 4000mm wide
- Up to 16m<sup>2</sup> of fabric

## TESS™ 401 AND TESS™ 402

External triangles and trapezoids



- Up to 6500mm draw
- Up to 4000mm wide
- Up to 16m<sup>2</sup> of fabric

Installation must be supervised by a trained installer to fulfil the product warranty.  
See page 2 for details.

## SPARE PARTS

Download our spare parts list online [here](#) and use our Guthrie Douglas order form to send your order through to us for quick and professional processing. Spare parts orders can be dispatched within 1 working day.



All orders are subject to our standard terms & conditions of sale available at [www.guthriedouglas.com](http://www.guthriedouglas.com).



VISIT US:  
[www.guthriedouglas.com](http://www.guthriedouglas.com)

EMAIL US:  
[projects@guthriedouglas.com](mailto:projects@guthriedouglas.com)

TALK TO US:  
+44 (0)1926 310 850