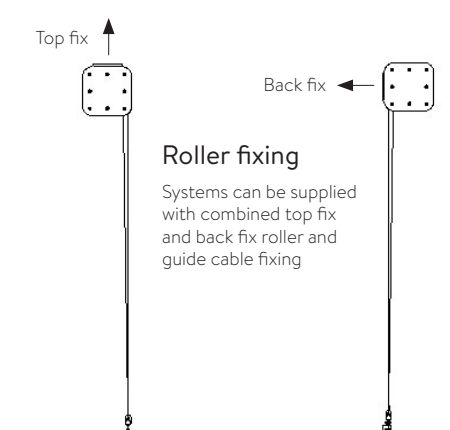
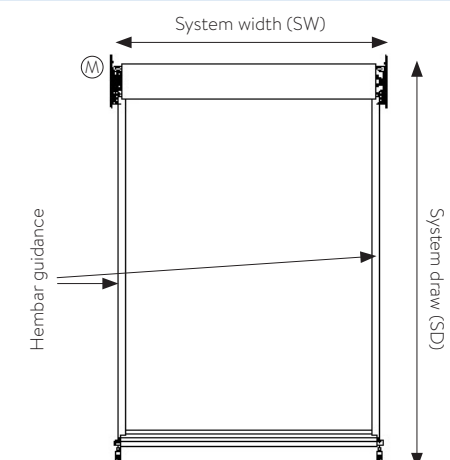


TESS™ 308/312 ORDER FORM

YOUR DETAILS				DELIVERY DETAILS (Standard lead time 4-6 weeks)			
Company		Contact		Required delivery date			
Email		Phone		Delivery address			
Address		Order no.		Delivery options			
		Quote no.			Customer to collect (ExWorks)	GD to deliver (DAP - surcharge)	
		Project					

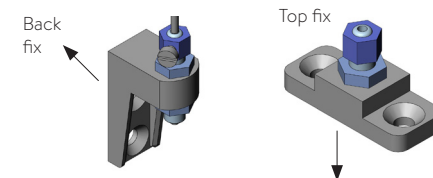
SYSTEM DIMENSIONS (IN MM - MAX AREA 60m²)				ROLLER FIXING		HEMBAR GUIDANCE		GUIDE CABLE FIXING		MOTOR SIDE	
		(max 5000 mm)	(max 12000 mm)			(guide cable)					
POS	QTY	WIDTH (SW)	DRAW (SD)	TOP	BACK	YES	NO	BACK	TOP	STD	OPH
1											
2											
3											
4											
5											
6											
7											
8											
9											
10											
11											
12											
TOTAL											



POWDER COATING OPTIONS			
REF	RAL 9016 30% (traffic white matt = standard)		
3075	Other RAL, specify below (surcharge)		
3066	RAL	GLOSS LEVEL	
		30% matt	70% satin
			90% gloss

MOTOR CONTROL			
All radio transmitters below are battery powered			
	Hard Wired		Radio
REF	RADIO TRANSMITTERS		QTY
7349	1 channel (hand held)		
7350	4+1 channel (hand held)		
7351	16 channel (hand held)		
7352	1 channel (wall mounted)		

Guide cable fixing



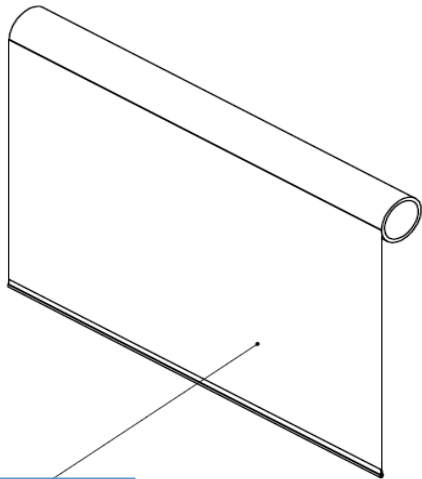
MOTOR VOLTAGE OPTIONS	
REF	Standard motor voltage: 230V AC/50 Hz
	Special motor voltage: 110V AC/60 Hz
3079	Special motor voltage: 24V DC (24V DC motors incur a surcharge)

ACCESSORIES			
REF		REF	
3522	Hirschmann plug	7390	Cable cutter (Ø5mm cable to cut onsite)

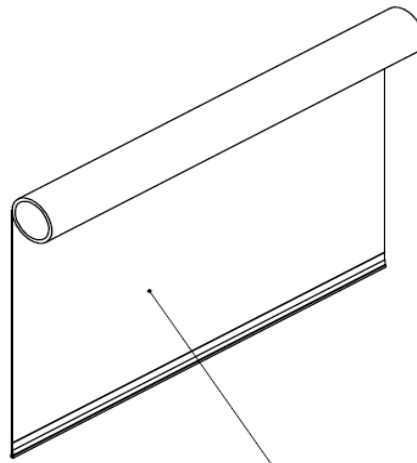
FORM COMPLETED BY:
 PRINT NAME SIGNATURE REGISTERED INSTALLER DATE

TESS™ 308/312 FABRIC ORDER FORM

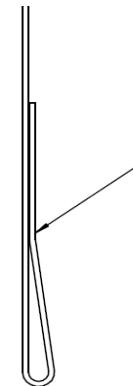
FABRIC SUPPLIED AND FITTED BY GUTHRIE DOUGLAS		OTHER FABRIC SUPPLY OPTIONS	
Fabric type		Supplied by customer, Guthrie Douglas to fit (surcharge)	
Colour code*		No fabric	
*Please refer to the Guthrie Douglas approved fabrics colour chart www.guthriedouglas.com/fabric-choices		Supply notes for all system fabrics <ul style="list-style-type: none"> Depending on the system width mid welds may be present parallel to the fabric roller. The position of the welds or their orientation cannot be guaranteed. 	



SIDE A	
Colour	



SIDE B	
Colour	



POCKET WELD TO BE ON	
	Side A
	Side B