



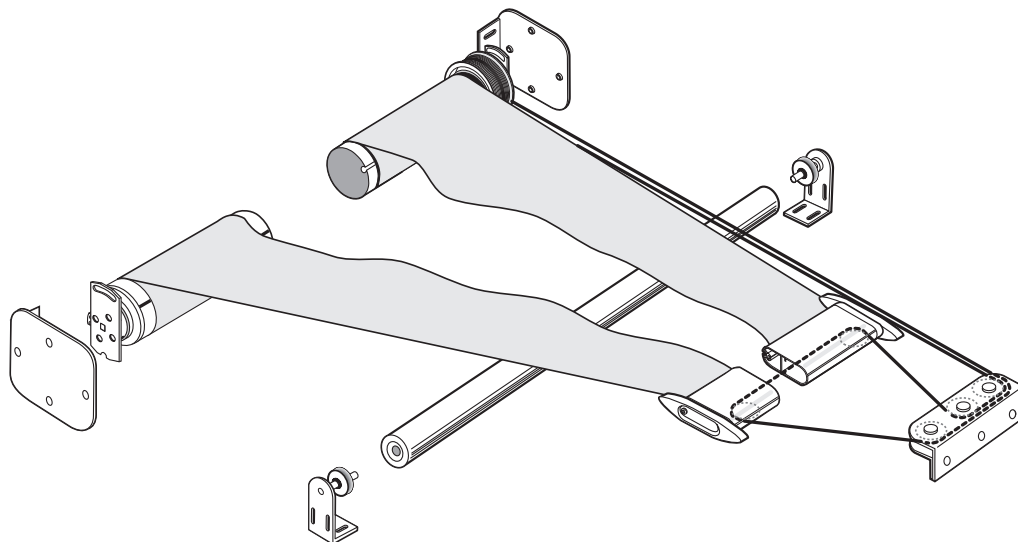
# TESS101 DATASHEET

## INTERNAL TRIANGULAR TENSION SYSTEM

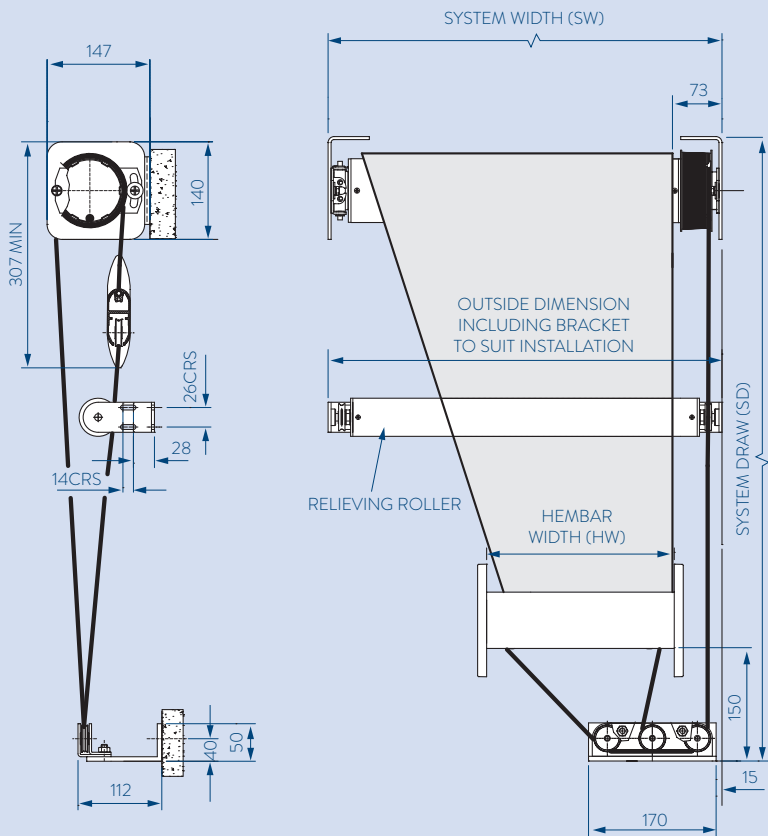
The tried and tested solution for triangular glazing.  
Flat or curved.

Modern glazing design is anything but square. The TESS 101 covers corners and right-angled triangles and can even follow curves with the use of relieving rollers. Unlimited colour finishes and a wide range of fabrics make it suitable for any project. Our single barrel mechanism keeps the fabric constantly under tension and produces a smooth, quiet travel.

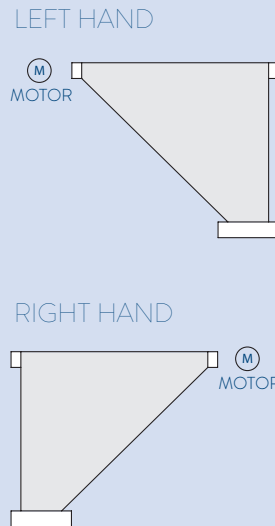
- Single barrel tension system
- Any angle, any direction
- 90° triangles and corners
- Angles and curves
- Reliable and robust



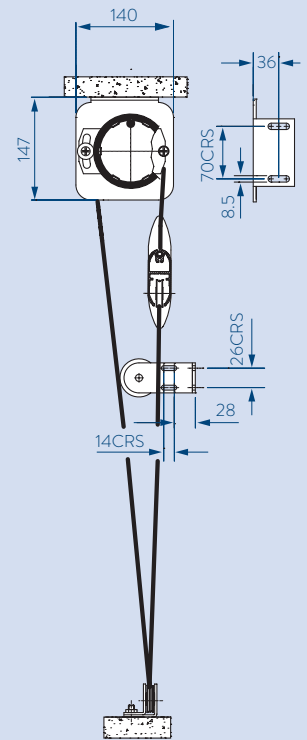
# TOP FIX



# MOTOR POSITION



# BACK FIX



## KEYFACTS

Typical use	Triangular or domed glazing
Shape	Right-angled triangle
Running direction	Any
Guides	None
Width	870 mm - 4000 mm
Draw	≤5000 mm
Fabric area	≤9 m <sup>2</sup>
Brackets	Aluminium
Relieving rollers	Aluminium
Finish	RAL Powder coat
Installation options	Top, back

## TECHNICALINFO

Fabric tension	>100 N
Weight exc. fabric	~7.5 kg + 4.2 kg/m width
Fixing load	≤36 kg per bracket
Operating temp.	0 to 55 °C
Motor	15 Nm, 17 rpm
Electrical	230 V, 50 Hz, 140 W, 0.65A
	120 V, 60 Hz, 130 W, 1.1A
Max run time	4 min
Fabric speed	~5 m/min
Controls	Radio, Wired

