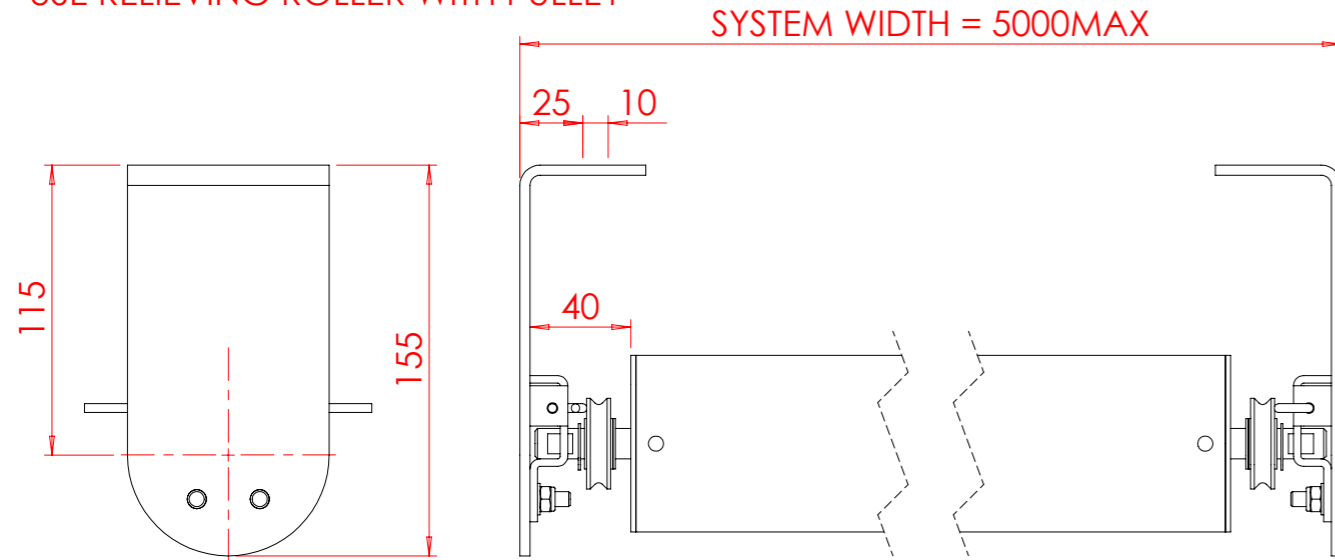
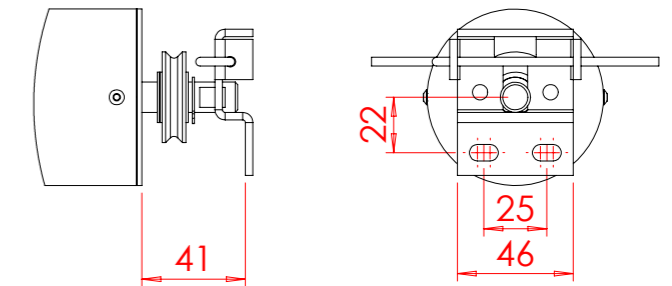


PRODUCTION	NO
PURCHASING	NO
SALES	NO
MARKETING	NO

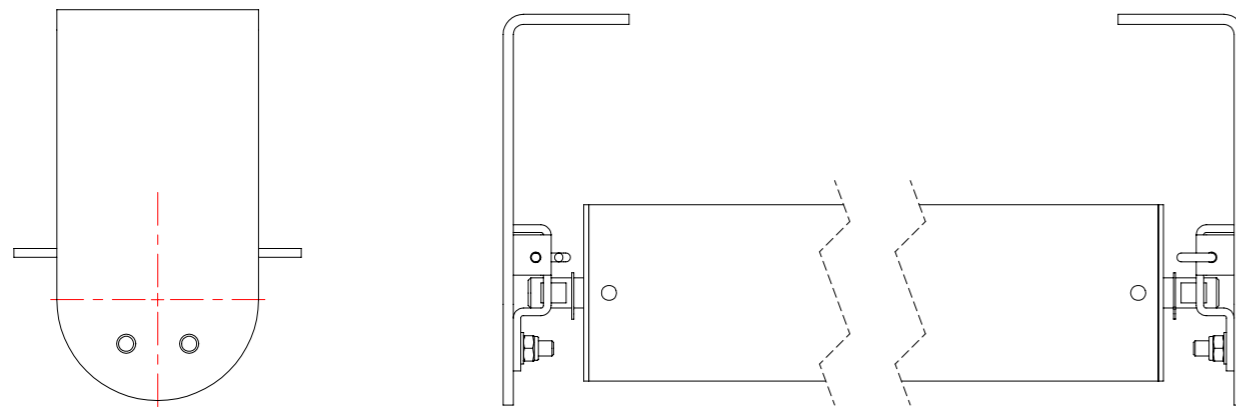
TOP FIX BRACKET
FOR CURVED TYPE SYSTEMS,
USE RELIEVING ROLLER WITH PULLEY



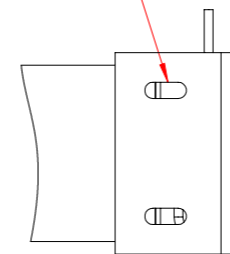
SIDE FIX BRACKET FOR PULLEY RELIEVING ROLLER



TOP FIX BRACKET
FOR HORIZONTAL TYPE SYSTEMS,
USE RELIEVING ROLLER WITHOUT PULLEY



TO SUIT M6
FIXINGS
(NOT SUPPLIED)



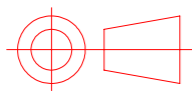
SIDE FIX BRACKET FOR NON PULLEY RELIEVING ROLLER



RELIEVING ROLLER BOBBIN SHAFT MUST BE SUPPORTED BY THE RELIEVING ROLLER BRACKET

RELIEVING ROLLERS TO BE USED WHEN SYSTEM IS 3M AND ABOVE RELIEVING ROLLERS TO BE USED WITH CURVED / NON LINEAR SYSTEMS.

EVENLY SPACE RELIEVING ROLLERS ALONG HORIZONTAL SYSTEMS.

THIRD ANGLE PROJECTION 	This drawing is copyright and the exclusive property of GUTHRIE DOUGLAS GROUP LTD., and must not be copied, used or exhibited without prior written consent.	Customer			TESS SYSTEMS Ø70MM RELIEVING ROLLER INSTALLATION	Product Group		Item No.
		Material Surface Finish				Scale 1:20	Size A3	Drawn Ashley.smith
REMOVE ALL SHARP EDGES		Guthrie Douglas 12 Heathcote Way, Heathcote Industrial Estate, Warwick CV34 6TE, UK Tel : (01926) 310850 Fax : (01926) 832914			Date 02-01-2014		Checked Ashley.Smith	Date 27-05-2014
IF IN DOUBT ASK GENERAL TOLERANCES TO ISO2768-m ALL DIMNS.IN mm DRAWN TO BS308								DRG.NO: GDP11216 / 03 SHEET 1 OF 1 SHEETS