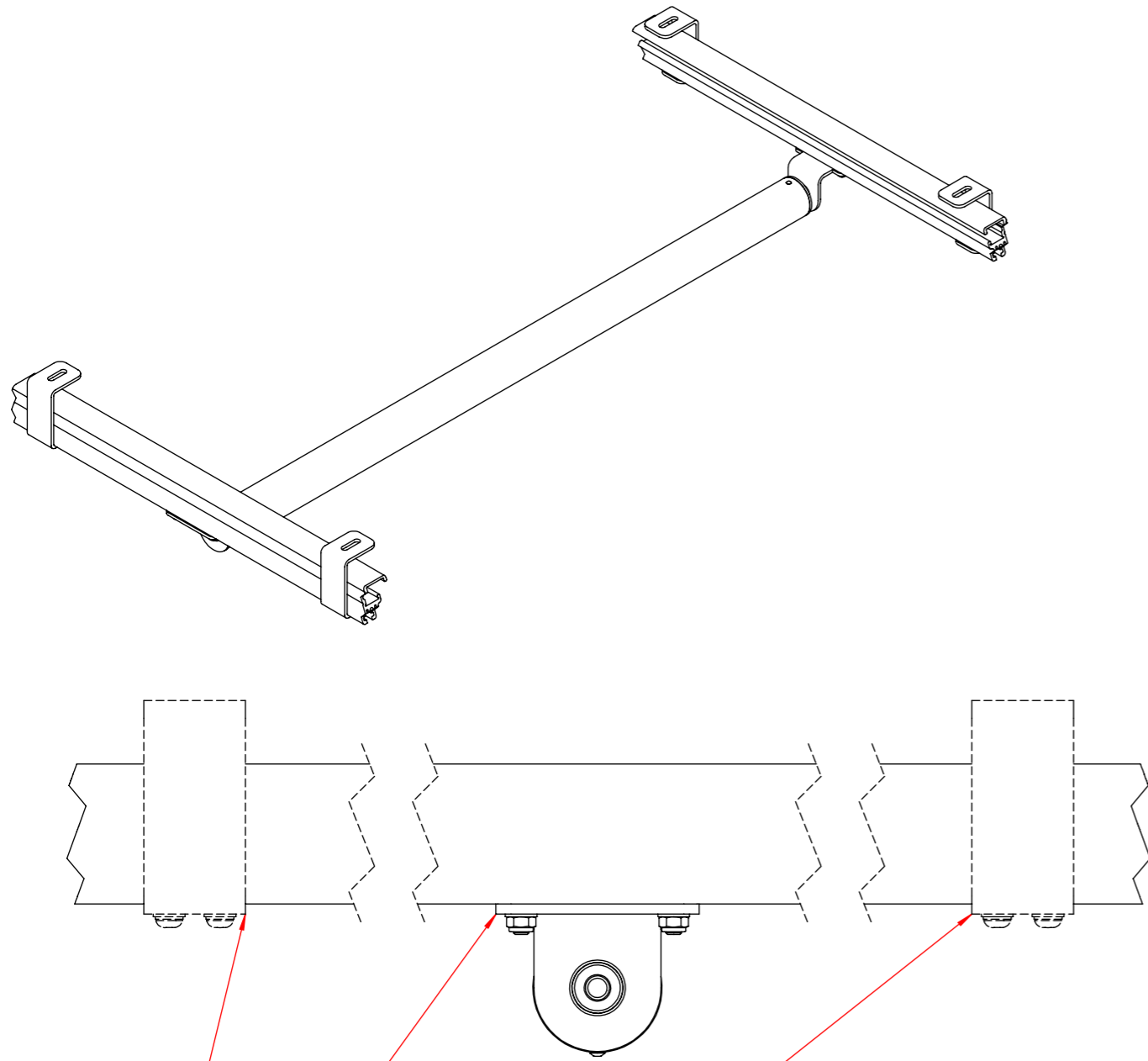
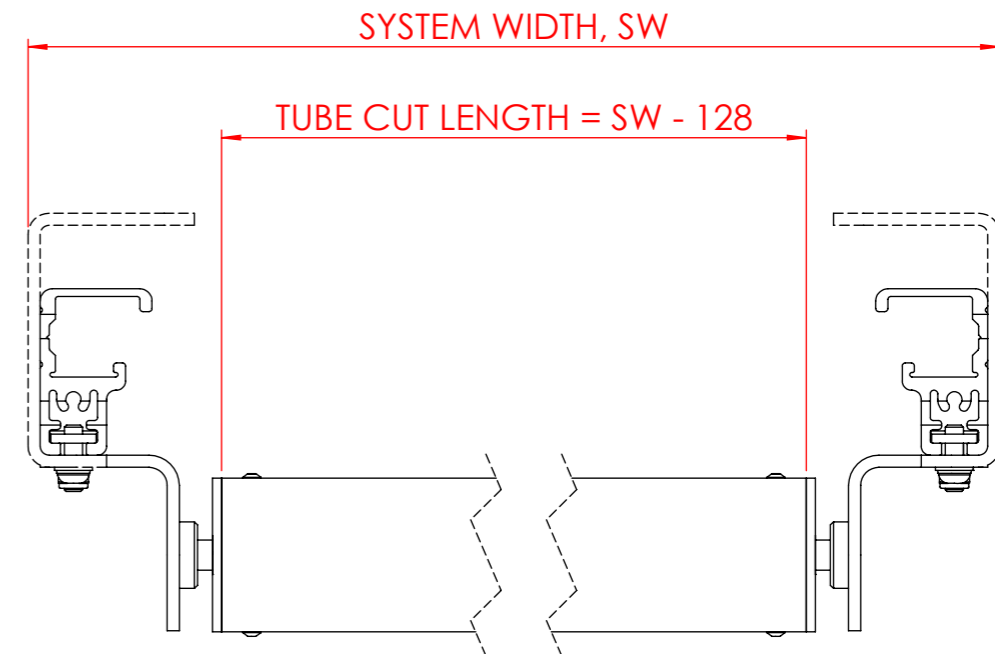


PRODUCTION	APPROVED FOR PRODUCTION
PURCHASING	APPROVED FOR PURCHASING
SALES	NO
MARKETING	NO



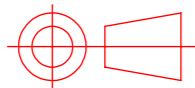
ENSURE THAT MOUNTING PLATES FOR SIDEGUIDE MOUNTING BRACKETS AND RELIEVING ROLLER BRACKETS ARE ASSEMBLED INTO THE SIDEGUIDE SLOTS IN THE CORRECT ORDER BEFORE FITTING THE SIDEGUIDES TO THE SYSTEM.



SEE GDP23065 FOR DETAILS OF RELIEVING ROLLER ASSY

RELIEVING ROLLER TO BE FITTED TO SYSTEMS WHEN SYSTEM DRAW EXCEEDS 3000
THE RELIEVING ROLLER TO BE FITTED AT THE MID-POINT OF THE SIDEGUIDE.

THIRD ANGLE PROJECTION



This drawing is copyright and the exclusive property of GUTHRIE DOUGLAS LTD., and must not be copied, used or exhibited without prior written consent.

Guthrie Douglas

12 Heathcote Way, Heathcote Ind. Est;
Warwick, CV34 6TE, England.
Tel:(01926)452452 Fax:(01926)336417

Customer

STANDARD

Material

Surface Finish

Scale

1:2.5

Size

A3

Special

NEW TESS 120

RELIEVING ROLLER INSTALLATION

Product Group

SOLAR

Drawn

Geoff.Smith

Date

18-08-2009

Checked

SmithG

Date

03-07-2008

DRG.NO:

GDP23041

/ 01

SHEET 1 OF 1 SHEETS

REMOVE ALL SHARP EDGES

IF IN DOUBT ASK

DO NOT SCALE

GENERAL TOLERANCES TO ISO2768-m

ALL DIMNS.IN mm

DRAWN TO BS308