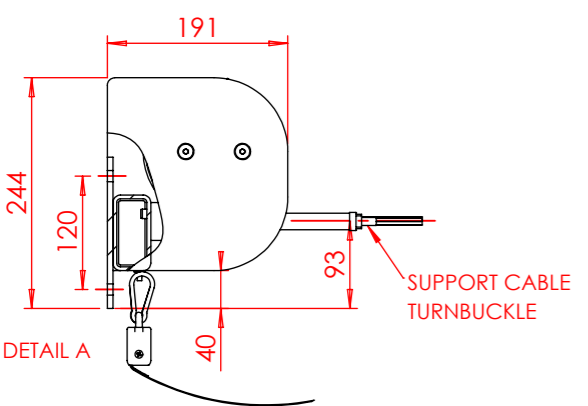
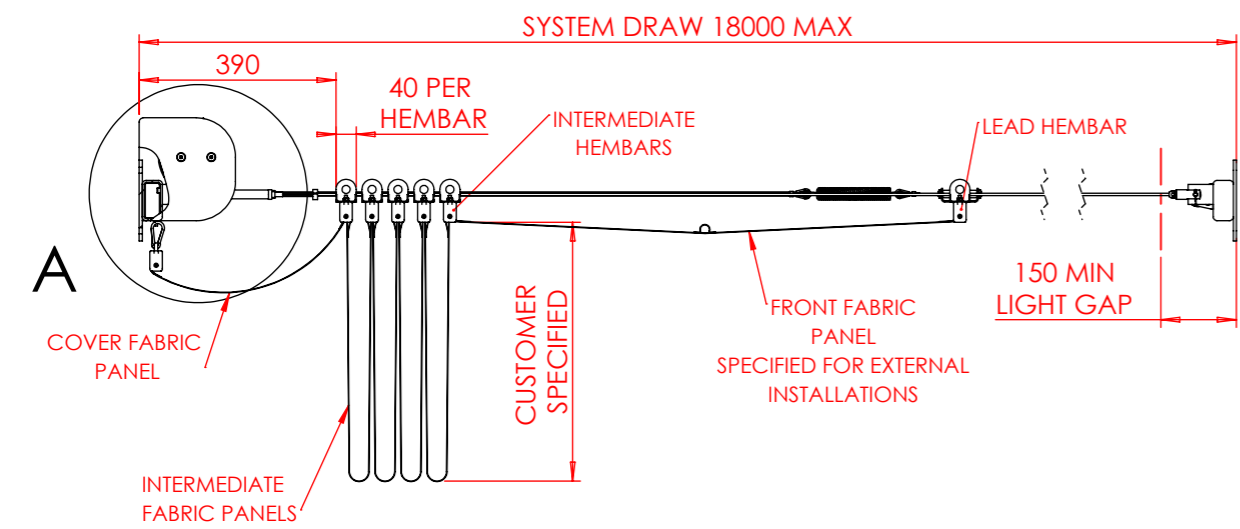
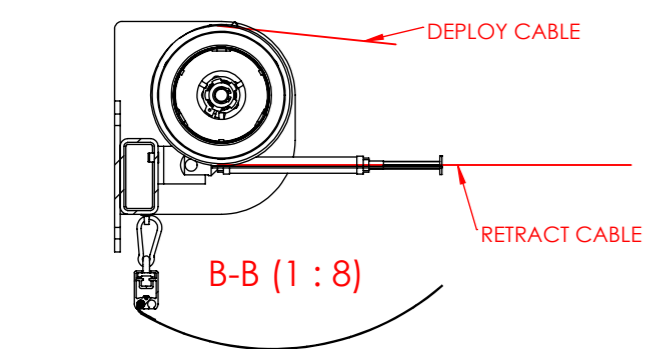


PRODUCTION	PRE-PRODUCTION
PURCHASING	PRE-PURCHASING
SALES	NO
MARKETING	NO

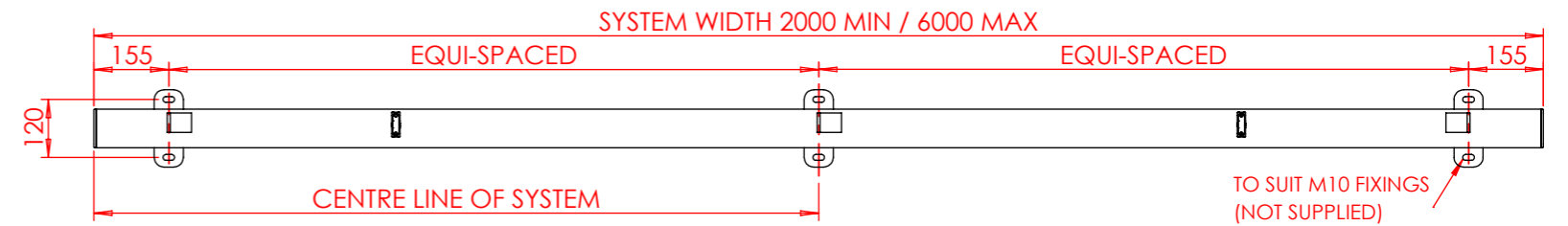
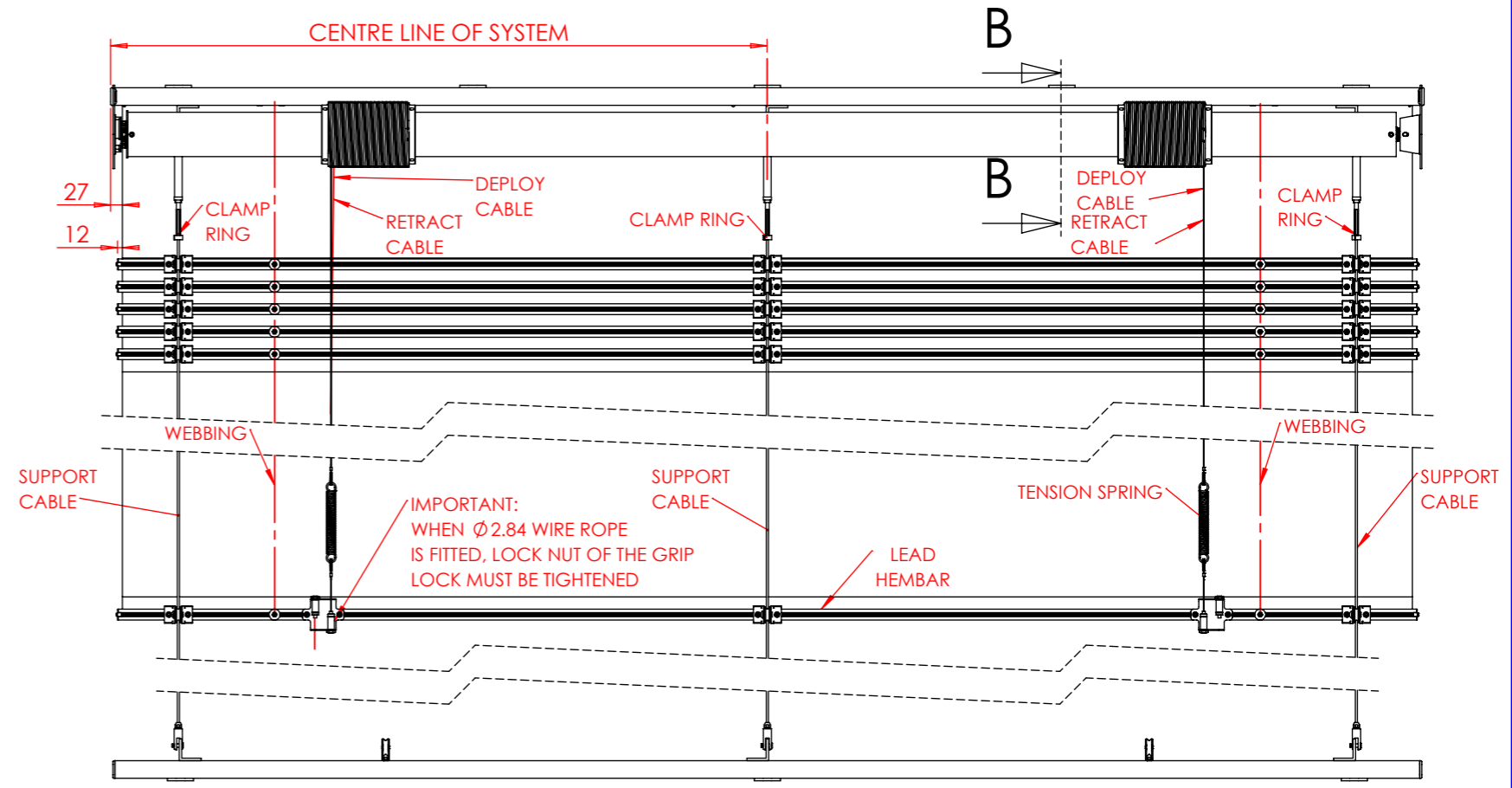
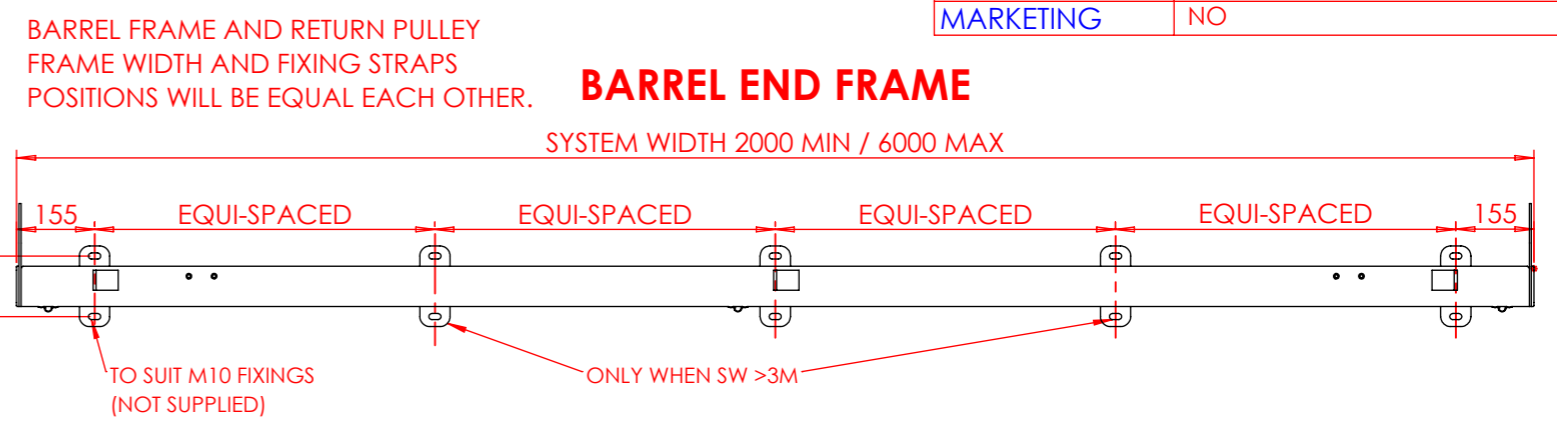


APPROXIMATELY 400 KG OF TENSION PER SUPPORT CABLE. THEREFORE THE WALL FIXINGS NEED TO BE ABLE TO WITHSTAND 400KG PER SUPPORT CABLE X 3= 1200 KG TOTAL PER SYSTEM



REFER TO THE INSTALLATION MANUAL BEFORE INSTALLING THE SYSTEM.

GUTHRIE DOUGLAS DO NOT SUPPLY THE FIXINGS TO SECURE THE BARREL OR RETURN FRAME TO THE BUILDING STRUCTURE.



THIRD ANGLE PROJECTION

REMOVE ALL SHARP EDGES

IF IN DOUBT ASK	DO NOT SCALE
GENERAL TOLERANCES TO ISO2768-m	
ALL DIMNS.IN mm	DRAWN TO BS308

This drawing is copyright and the exclusive property of GUTHRIE DOUGLAS GROUP LTD., and must not be copied, used or exhibited without prior written consent.

**Guthrie Douglas**

12 Heathcote Way, Heathcote Industrial Estate, Warwick CV34 6TE, UK  
Tel : (01926) 310850 Fax : (01926) 832914

Customer			
Material	Scale	Size	
Surface Finish	1:15	A3	
	Special		

Product Group  
**SOLAR**

Item No.  
**N/A**

Drawn	Date	Checked	Date
Alex.Trevellyan	22-05-2013		

DRG.NO:  
**GDP24312 / 01**

TESS 512 VERSION MK2.5

SHEET 1 OF 1 SHEETS