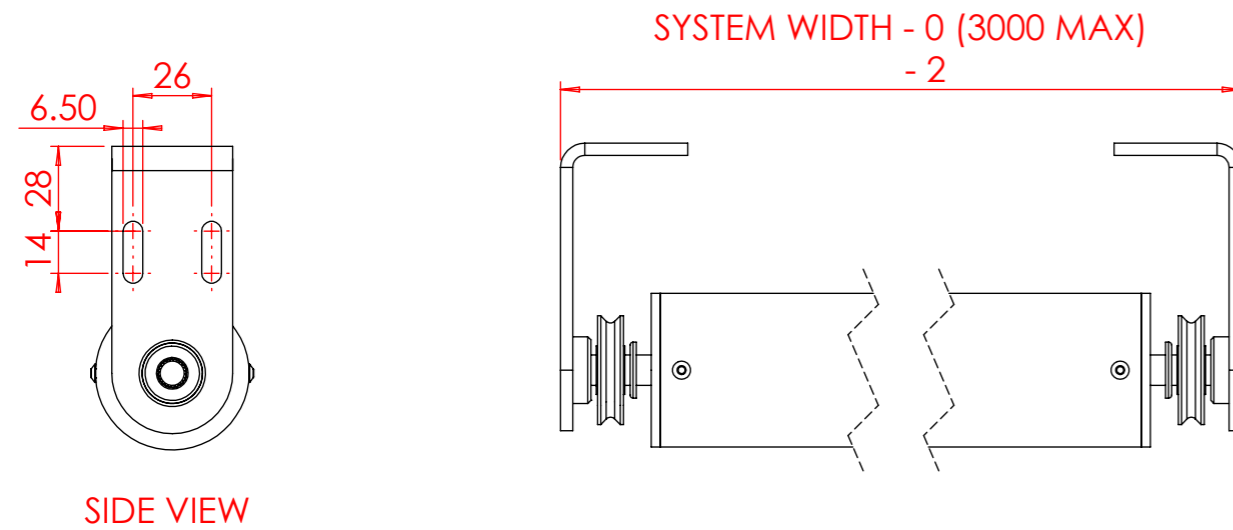
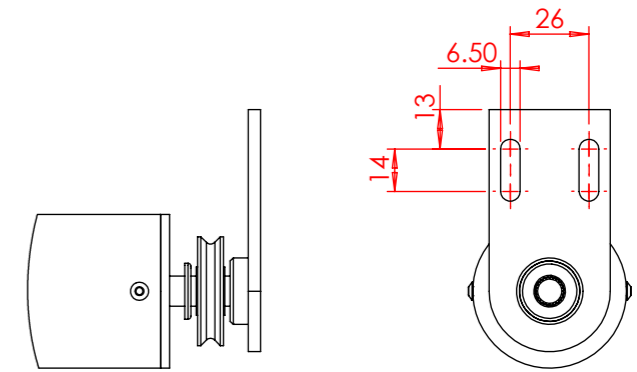


| | |
|------------|-------------------------|
| PRODUCTION | APPROVED FOR PRODUCTION |
| PURCHASING | APPROVED FOR PURCHASING |
| SALES | NO |
| MARKETING | NO |

TOP FIX BRACKET
FOR CURVED TYPE SYSTEMS USE RELIEVING ROLLER WITH PULLEY.

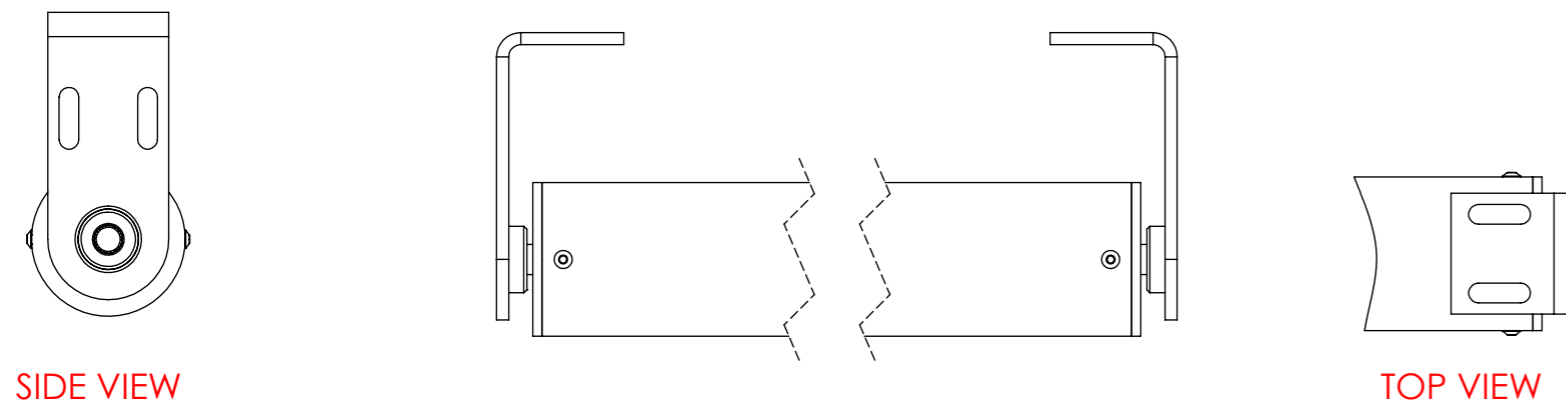


SIDE FIX BRACKET
FOR CURVED TYPE SYSTEMS
USE RELIEVING ROLLER WITH PULLEY

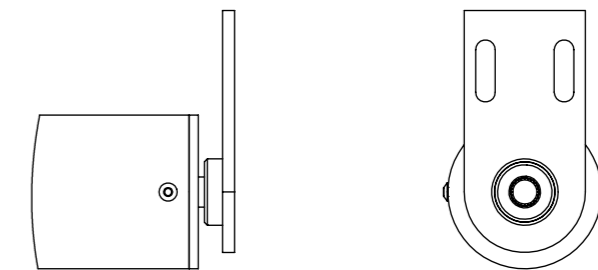


DIMENSIONS STATED IN IMAGES ABOVE ARE EQUIVELENT TO IMAGES BELOW

TOP FIX BRACKET
FOR HORIZONTAL TYPE SYSTEMS USE RELIEVING ROLLER WITHOUT PULLEY

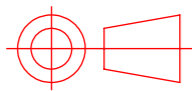


SIDE FIX BRACKET
FOR HORIZONTAL TYPE SYSTEMS
USE RELIEVING ROLLER WITHOUT PULLEY



RELIEVING ROLLERS TO BE USED WHEN SYSTEM IS 3M AND ABOVE RELIEVING ROLLER TO BE USED WITH CURVED/ NON LINEAR SYSTEMS.

EVENLY SPACE RELIEVING ROLLERS ALONG HORIZONTAL SYSTEMS.

| | | | | | | | | | | |
|--|--|----------------|-------|---------------------|--|---------------|--------------|------------|----------|-----|
| THIRD ANGLE PROJECTION  | This drawing is copyright and the exclusive property of GUTHRIE DOUGLAS GROUP LTD., and must not be copied, used or exhibited without prior written consent. | Customer | | | TESS SYSTEMS Ø50MM RELIEVING ROLLER INSTALLATION | Product Group | SOLAR | | Item No. | N/A |
| | | Material | Scale | Size | | Drawn | Date | Checked | Date | |
| REMOVE ALL SHARP EDGES | Guthrie Douglas 12 Heathcote Way, Heathcote Industrial Estate, Warwick CV34 6TE, UK Tel : (01926) 310850 Fax : (01926) 832914 | Surface Finish | 1:1 | A3 | eng.trainee | 29-07-2013 | Ashley.Smith | 27-05-2014 | | |
| IF IN DOUBT ASK | | Special | | DRG.NO: | | GDP24370 / 02 | | | | |
| DO NOT SCALE | | | | SHEET 1 OF 1 SHEETS | | | | | | |
| GENERAL TOLERANCES TO ISO2768-m | | | | | | | | | | |
| ALL DIMNS.IN mm | | | | | | | | | | |
| DRAWN TO BS308 | | | | | | | | | | |