

YOUR DETAILS				DELIVERY DETAILS (Standard lead time 4-6 weeks)			
Company		Contact		Required delivery date			
Email		Phone		Delivery address			
Address		Order no.		Delivery options			
		Quote no.			Customer to collect (ExWorks)	GD to deliver (DAP - surcharge)	
		Project					

SYSTEM DIMENSIONS (IN MM - MAX AREA 9m ²)						ROLLER FIXINGS			RELIEVING ROLLER TYPE					
POS	QTY	(max 4000 mm) WIDTH (SW)	(max 5000 mm) DRAW (SD)	(min 275 mm) HEM BAR (HW)	Triangle orientation A or B				(Flat glazing or SW <3m) ø50mm	(Curved glazing or SW >3m) ø70mm	Qty of relieving rollers per system	Fixing type TOP SIDE		
1														
2														
3														
4														
5														
6														
7														
8														
9														
10														
11														
12														
TOTAL														

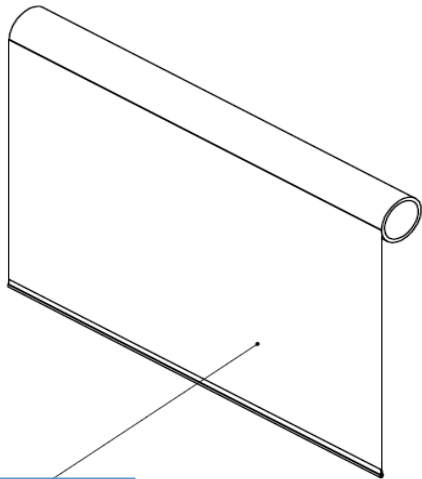
POWDER COATING OPTIONS					MOTOR CONTROL			RETURN PULLEY FIXING ANGLES						
REF					All radio transmitters below are battery powered			REF			REF			
	RAL 9016 30% (traffic white matt = standard)				Hard Wired		Radio	4159	L-shape angle (for double pulley), 102x50mm		4165	L-shape angle (for triple pulley), 102x50mm		
3075	Other RAL, specify below (surcharge)				REF	RADIO TRANSMITTERS		QTY						
3066	RAL		GLOSS LEVEL		7349	1 channel (hand held)								
		30% matt	70% satin	90% gloss	7350	4+1 channel (hand held)								
					7351	16 channel (hand held)								
					7352	1 channel (wall mounted)								

MOTOR VOLTAGE OPTIONS			ACCESSORIES			HEMBAR FINISHING STRIP								
REF			REF			REF			REF			REF		
	Standard motor voltage: 230V AC/50 Hz		3522	Hirschmann plug		7390	White		8289	Black			None	
	Special motor voltage: 110V AC/60 Hz													
3079	Special motor voltage: 24V DC (24V DC motors incur a surcharge)													

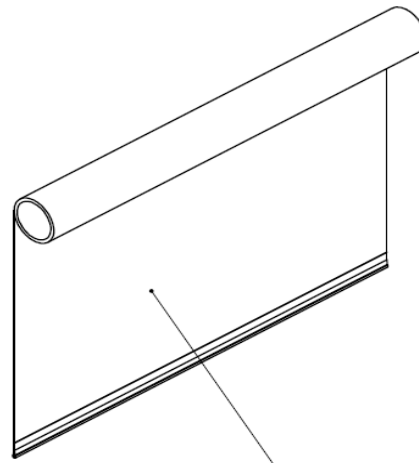
FORM COMPLETED BY
 PRINT NAME SIGNATURE REGISTERED INSTALLER DATE

TESS™ 401 FABRIC ORDER FORM

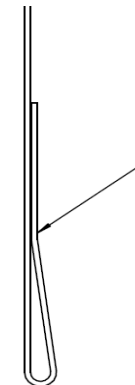
FABRIC SUPPLIED AND FITTED BY GUTHRIE DOUGLAS		OTHER FABRIC SUPPLY OPTIONS	
Fabric type		Supplied by customer, Guthrie Douglas to fit (surcharge)	
Colour code*		No fabric	
*Please refer to the Guthrie Douglas approved fabrics colour chart www.guthriedouglas.com/fabric-choices		Supply notes for all system fabrics <ul style="list-style-type: none"> • Depending on the system width mid welds may be present parallel to the fabric roller. • The position of the welds or their orientation cannot be guaranteed. 	



SIDE A	
Colour	



SIDE B	
Colour	



POCKET WELD TO BE ON	
	Side A
	Side B