

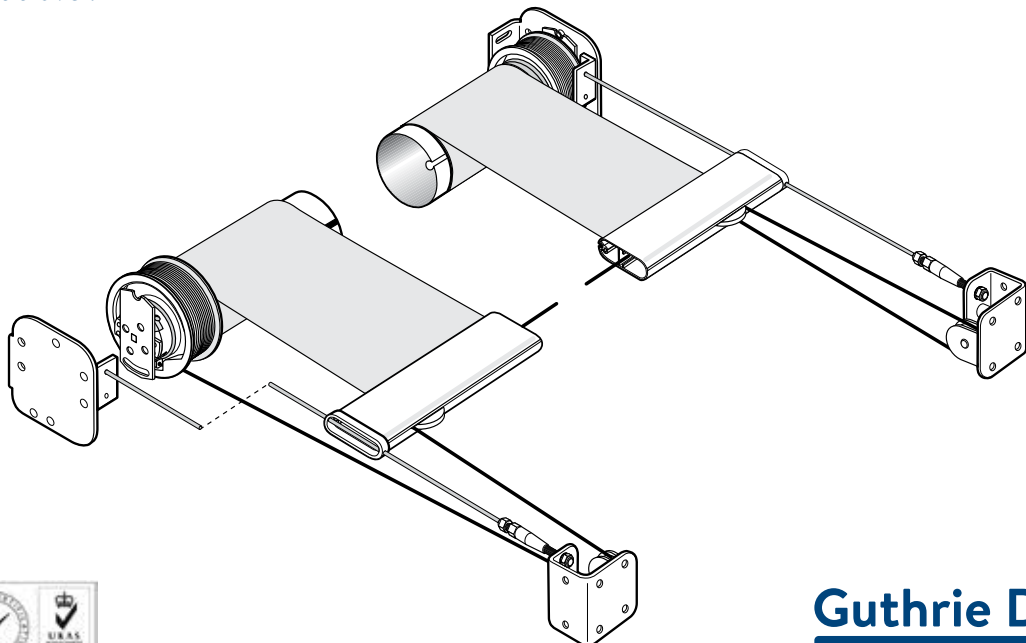
# TESS140 DATASHEET

## INTERNAL WIRE-GUIDED TENSION SYSTEM

Clean-cut styling to blend in with your building design.  
Any angle, any direction, anywhere.

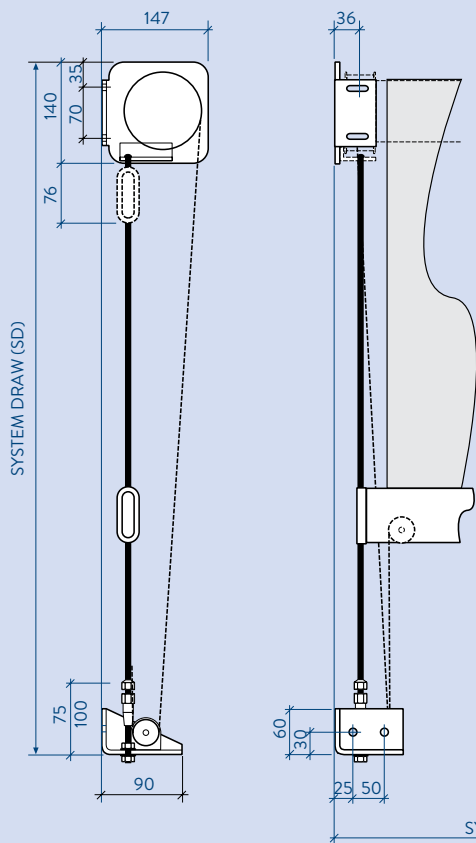
Sometimes great design is about what you can't see. The TESS 140 is designed to deliver reliability, discretely. Slim wire guides and flexible brackets make it easy to design into the glazing surround for near invisibility when retracted. Unlimited colour finishes and a wide range of fabrics make it suitable for any project. Our single barrel mechanism keeps the fabric constantly under tension and produces a smooth, quiet travel.

- Single barrel tension system
- Any angle, any direction
- Clean-cut design
- Discrete wire guides
- Reliable and robust

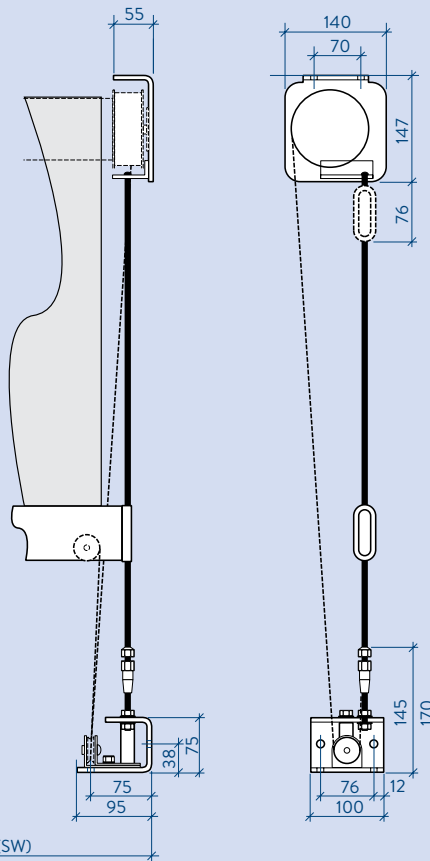


**Guthrie Douglas**

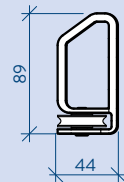
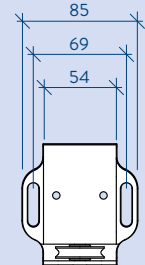
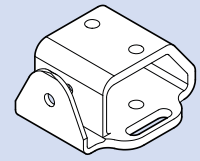
## TOP FIX



## BACK FIX



### LOW PROFILE PULLEY OPTION



## KEYFACTS

|                      |                           |
|----------------------|---------------------------|
| Typical use          | Atria, skylights, façades |
| Shape                | Rectangular               |
| Running direction    | Any                       |
| Guides               | ∅5 mm steel wire          |
| Width                | 870 mm - 4000 mm          |
| Draw                 | ≤6500 mm                  |
| Fabric area          | ≤18m <sup>2</sup>         |
| Brackets             | Aluminium                 |
| Finish               | RAL powder coat           |
| Installation options | Top, back, side           |

## TECHNICAL INFO

|                    |                            |
|--------------------|----------------------------|
| Fabric tension     | >100N                      |
| Weight exc. fabric | ~9.5 kg + 4.2 kg/m width   |
| Fixing load        | ≤100kg per bracket         |
| Operating temp.    | 0 to 55 °C                 |
| Motor              | 15 Nm, 17 rpm              |
| Electrical         | 230 V, 50 Hz, 140 W, 0.65A |
|                    | 120 V, 60 Hz, 130 W, 1.1A  |
| Max run time       | 4 min                      |
| Fabric speed       | ~5 m/min                   |
| Controls           | Radio, Wired               |

