



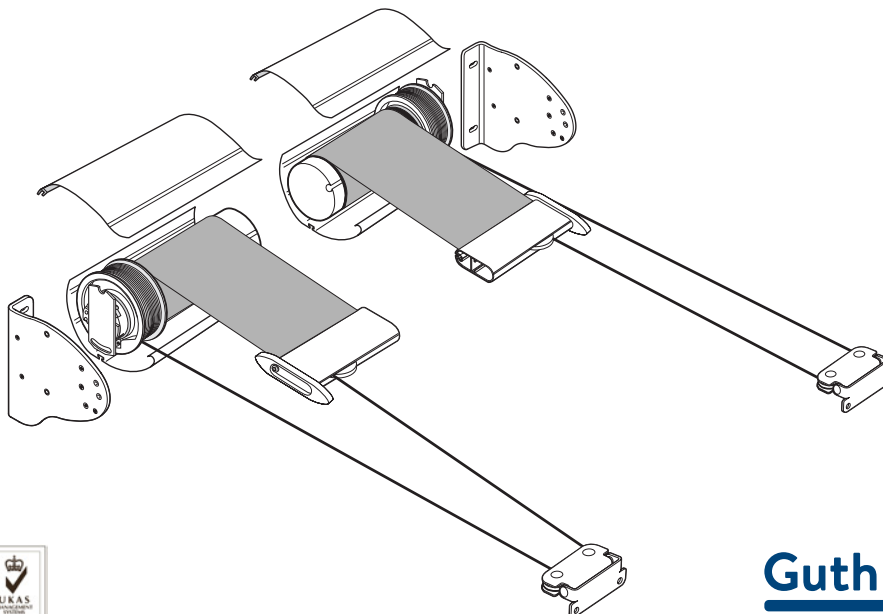
TESS400 DATASHEET

EXTERNAL UNGUIDED TENSION SYSTEM

Freedom to move around curves. Any angle, any direction, anywhere.

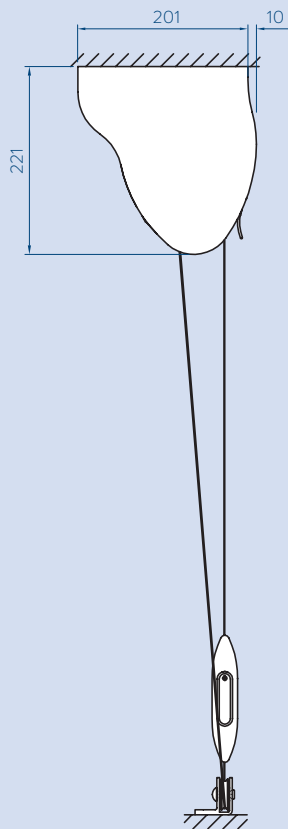
Curved glazing presents tough challenges for most blinds. The TESS 400 overcomes these challenges without compromising on style. Relieving rollers allow the blind to follow the direction of the curve whilst ultra-thin tension cables maintain fabric tension. Unlimited colour finishes and a wide range of fabrics make it suitable for any project. Our single barrel mechanism keeps the fabric constantly under tension and produces a smooth, quiet travel.

- Protective headbox
- Single barrel system
- Any angle, any direction
- Curves and angles
- Reliable and robust

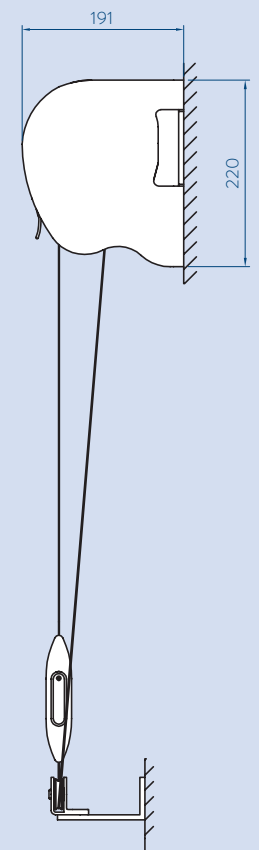
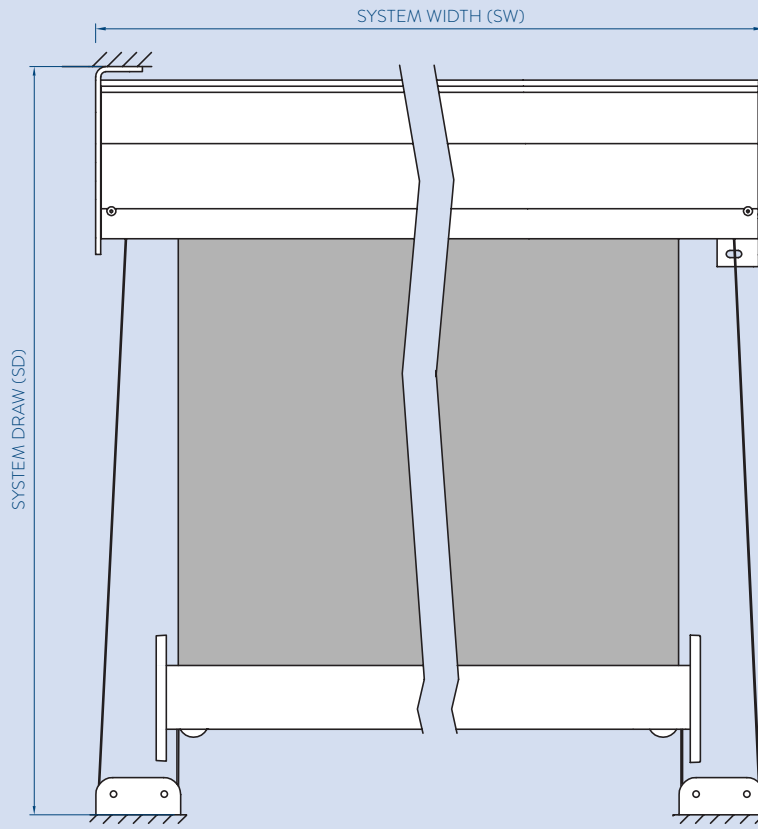


Guthrie Douglas

BACK FIX



BOTTOM FIX



KEYFACTS

Typical use	Curved or vaulted glazing
Shape	Rectangular
Running direction	Any
Guides	None
Width	870 mm - 4000 mm
Draw	≤6500 mm
Fabric area	≤16 m ²
Brackets	Aluminium
Relieving rollers	Aluminium
Finish	RAL Powder coat
Installation options	Bottom, back

TECHNICALINFO

Fabric tension	>100 N
Weight exc. fabric	~12.5 kg + 10.2 kg/m width
Fixing load	≤36kg per bracket
Operating temp.	0 to 55 °C
Motor	15 Nm, 17 rpm
Electrical	230 V, 50 Hz, 140 W, 0.65A
	120 V, 60 Hz, 130 W, 1.1A
Max run time	4 min
Fabric speed	~5 m/min
Controls	Radio, Wired

