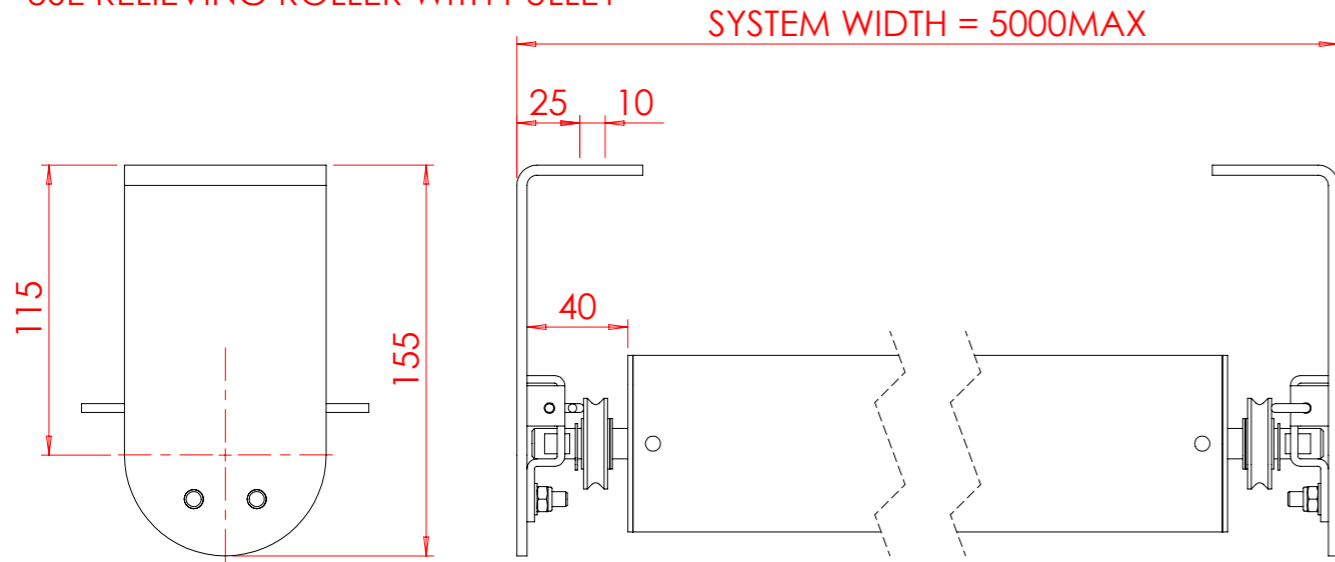
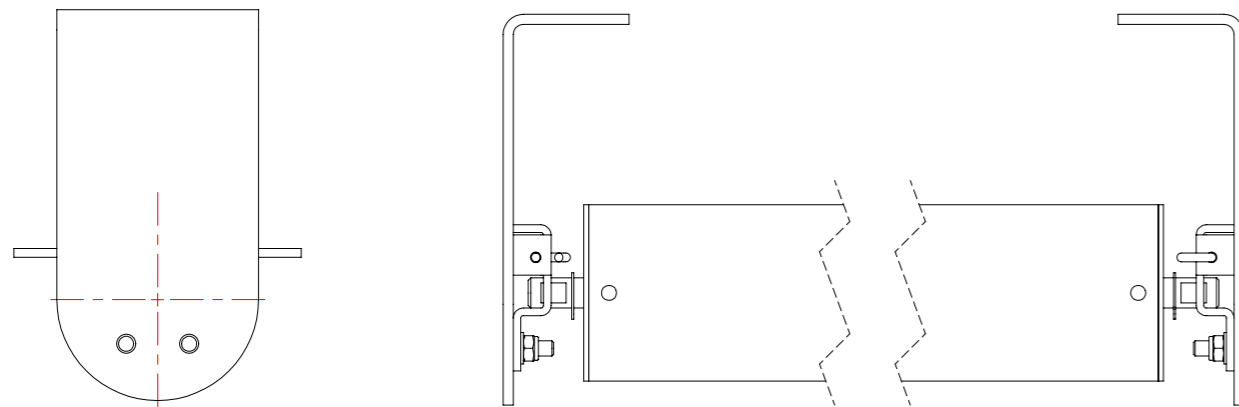


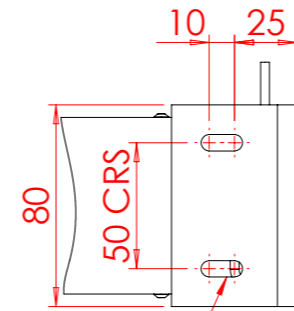
TOP FIX BRACKET  
FOR CURVED TYPE SYSTEMS,  
USE RELIEVING ROLLER WITH PULLEY



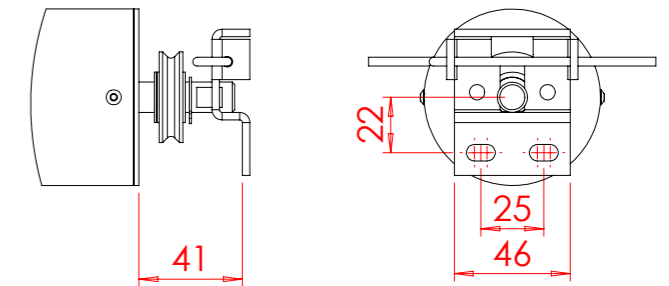
TOP FIX BRACKET  
FOR HORIZONTAL TYPE SYSTEMS,  
USE RELIEVING ROLLER WITHOUT PULLEY



TO SUIT M6  
FIXINGS  
(NOT SUPPLIED)



SIDE FIX BRACKET FOR PULLEY RELIEVING ROLLER



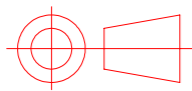
SIDE FIX BRACKET FOR NON PULLEY RELIEVING ROLLER



RELIEVING ROLLERS TO BE USED WHEN SYSTEM IS 3M AND ABOVE RELIEVING ROLLERS TO BE USED WITH CURVED / NON LINEAR SYSTEMS.

EVENLY SPACE RELIEVING ROLLERS ALONG HORIZONTAL SYSTEMS.

RELIEVING ROLLER BOBBIN SHAFT MUST BE SUPPORTED BY THE RELIEVING ROLLER BRACKET

THIRD ANGLE PROJECTION 	This drawing is copyright and the exclusive property of GUTHRIE DOUGLAS GROUP LTD., and must not be copied, used or exhibited without prior written consent.			Customer		Product Group		Item No. <b>N/A</b>			
	<b>Guthrie Douglas</b> 12 Heathcote Way, Heathcote Industrial Estate, Warwick CV34 6TE, UK Tel : (01926) 310850 Fax : (01926) 832914			Material	Scale <b>1:20</b>	Size <b>A3</b>	TESS SYSTEMS  Ø70MM RELIEVING ROLLER  INSTALLATION		Drawn Ashley.smith	Date 02-01-2014	Checked Ashley.Smith
REMOVE ALL SHARP EDGES	IF IN DOUBT ASK DO NOT SCALE GENERAL TOLERANCES TO ISO2768-m ALL DIMNS.IN mm DRAWN TO BS308			Surface Finish	Special	DRG.NO: <b>GDP11216 / 03</b>		SHEET 1 OF 1 SHEETS			

PRODUCTION	NO
PURCHASING	NO
SALES	NO
MARKETING	NO