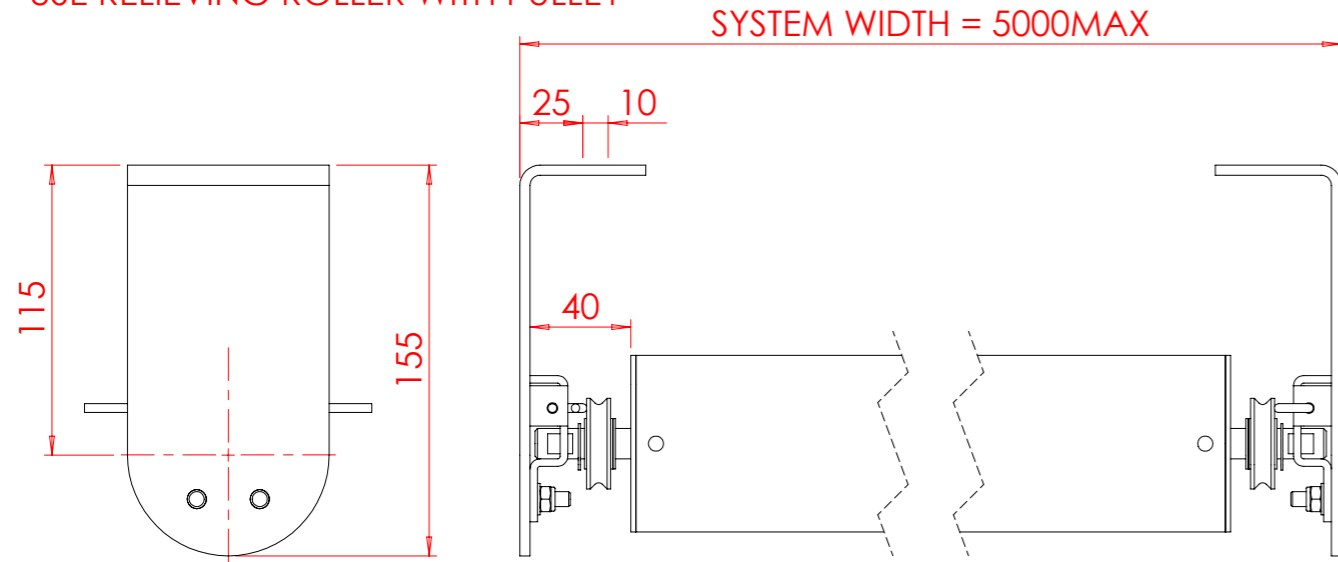
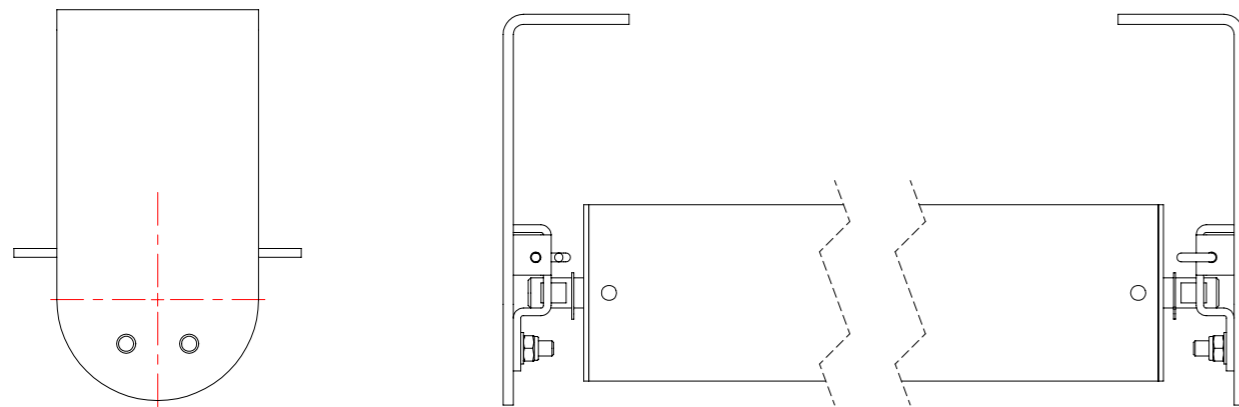


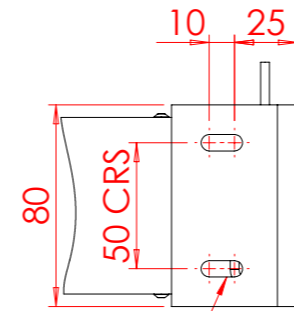
TOP FIX BRACKET
FOR CURVED TYPE SYSTEMS,
USE RELIEVING ROLLER WITH PULLEY



TOP FIX BRACKET
FOR HORIZONTAL TYPE SYSTEMS,
USE RELIEVING ROLLER WITHOUT PULLEY

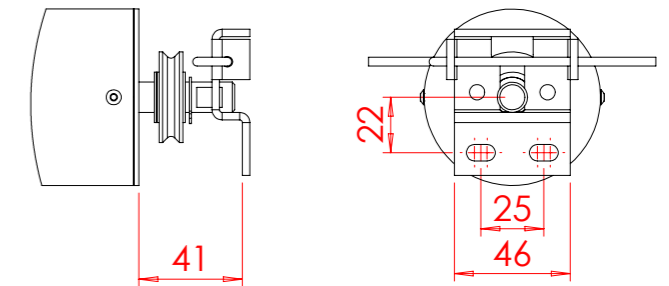


TO SUIT M6
FIXINGS
(NOT SUPPLIED)



PRODUCTION	NO
PURCHASING	NO
SALES	NO
MARKETING	NO

SIDE FIX BRACKET FOR PULLEY RELIEVING ROLLER



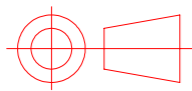
SIDE FIX BRACKET FOR NON PULLEY RELIEVING ROLLER



RELIEVING ROLLER BOBBIN SHAFT MUST BE SUPPORTED BY THE RELIEVING ROLLER BRACKET

RELIEVING ROLLERS TO BE USED WHEN SYSTEM IS 3M AND ABOVE RELIEVING ROLLERS TO BE USED WITH CURVED / NON LINEAR SYSTEMS.

EVENLY SPACE RELIEVING ROLLERS ALONG HORIZONTAL SYSTEMS.

THIRD ANGLE PROJECTION 	This drawing is copyright and the exclusive property of GUTHRIE DOUGLAS GROUP LTD., and must not be copied, used or exhibited without prior written consent.	Customer			TESS SYSTEMS Ø70MM RELIEVING ROLLER INSTALLATION	Product Group		Item No.
		Material Surface Finish				Scale 1:20	Size A3	Drawn Ashley.smith
REMOVE ALL SHARP EDGES		Guthrie Douglas 12 Heathcote Way, Heathcote Industrial Estate, Warwick CV34 6TE, UK Tel : (01926) 310850 Fax : (01926) 832914			Checked Ashley.Smith		Date 27-05-2014	N/A
IF IN DOUBT ASK	DO NOT SCALE				DRG.NO: GDP11216 / 03		SHEET 1 OF 1 SHEETS	
GENERAL TOLERANCES TO ISO2768-m								
ALL DIMNS.IN mm DRAWN TO BS308								