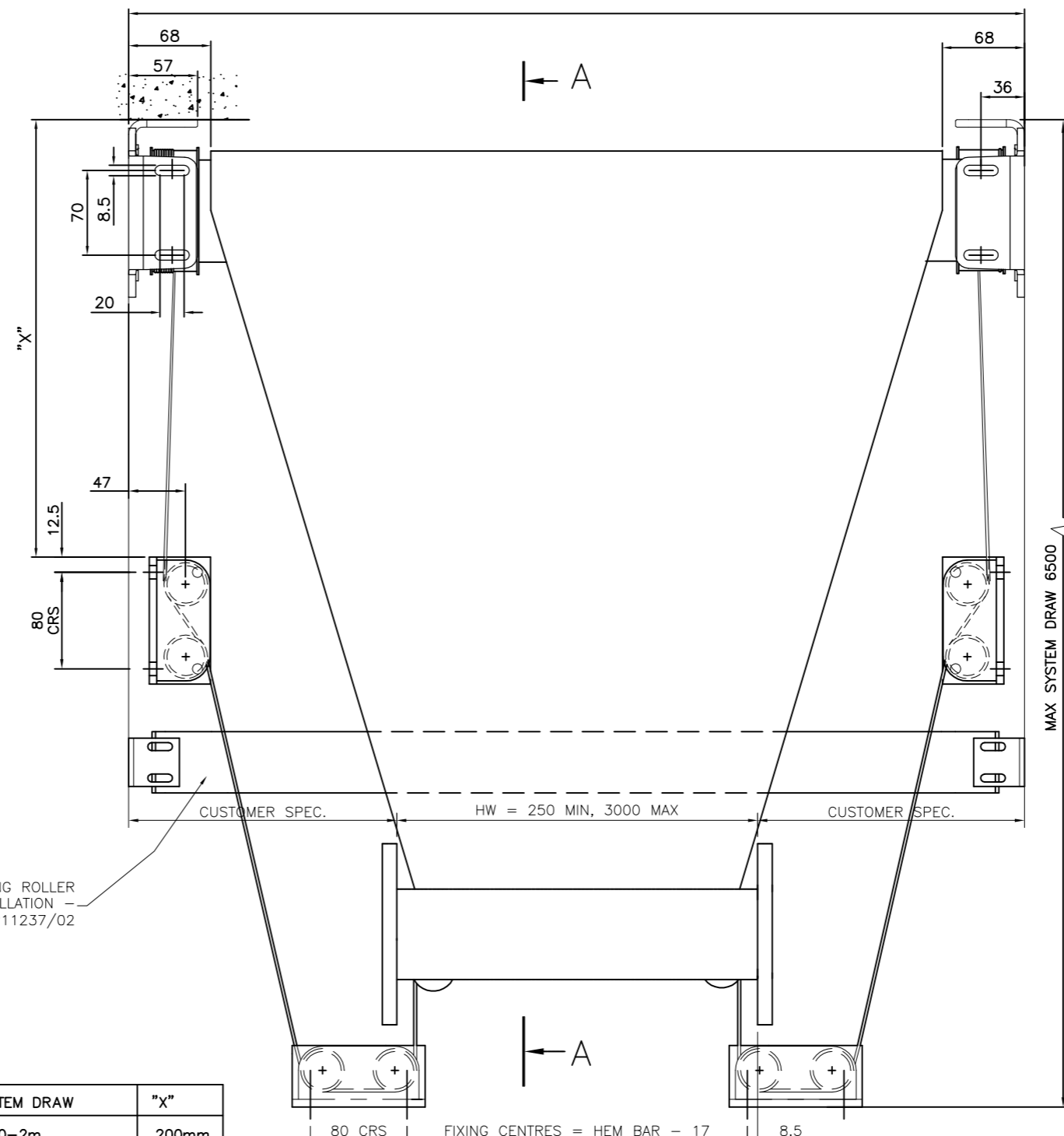
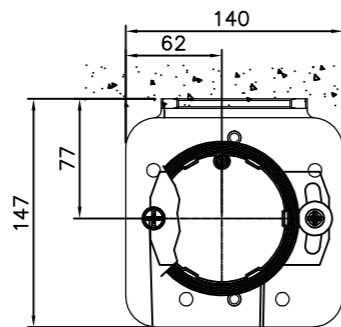
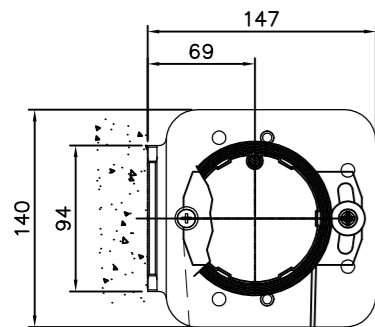


PRODUCTION	APPROVED FOR PRODUCTION
PURCHASING	APPROVED FOR PURCHASING
SALES	No
TECH SERVICES	No

'W'±2 (1080 MIN. - STANDARD SPRING CASSETTE)
(870 MIN. - SHORT SPRING CASSETTE)
MAX SYSTEM WIDTH = 4000

TOP FIXING

FACE FIXING



NOTE:

WHEN D IS OVER 3000 A RELIEVING ROLLER IS TO BE INSTALLED AT MID DISTANCE AS SHOWN ON GDP11078

HW = HEM BAR WIDTH

IMPORTANT!
WHEN SYSTEM INSTALLATION IS ON A CURVED OR PITCHED PROFILE, CABLE GUIDE KIT GDP23018 MUST BE FITTED.

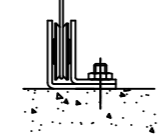
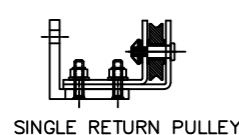
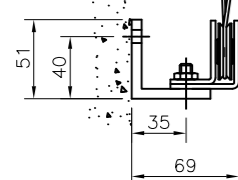
ALTERNATIVE HEM BAR ENDCAP GDP11305 WHEN RELIEVING ROLLERS ARE NOT REQ'D

HOLES TO SUIT M6 FIXINGS

RELIEVING ROLLER INSTALLATION - GDP11237/02

FIXING POSITION = HEMBAR - 110

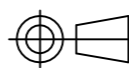
SINGLE RETURN PULLEY - OPTIONAL
(NOT TO BE USED WITH RECTANGULAR SYSTEMS OR THE STRAIGHT EDGE OF A RIGHT ANGLE TRIANGULAR SYSTEM)



VIEW A-A

VIEW A-A

SYSTEM DRAW	"X"
1.0-2m	200mm
2.1-3m	250mm
3.1-4m	300mm
4.1-5m	350mm
5.1-6.5m	400mm

THIRD ANGLE PROJECTION 
REMOVE ALL SHARP EDGES
IF IN DOUBT ASK DO NOT SCALE
GENERAL TOLERANCES TO ISO2768-m

This drawing is copyright and the exclusive property of GUTHRIE DOUGLAS LTD. and must not be copied, used or exhibited without prior written consent.
Guthrie Douglas
12 Heathcote Way, Heathcote Ind. Est;
Warwick, CV34 6TE, England.

Customer: STANDARD
Material: NTS
Scale: NTS
Size: A2
Surface Finish: Special

TESS 102 INSTALLATION
(NO SIDE GUIDES)

Product Group: SOLAR
Item No.:
Drawn: jenniferp
Date: 2003/12/05
Checked: I HILL
Date: 27/01/15
DRG.NO.: GDP21530 / 05
1 1