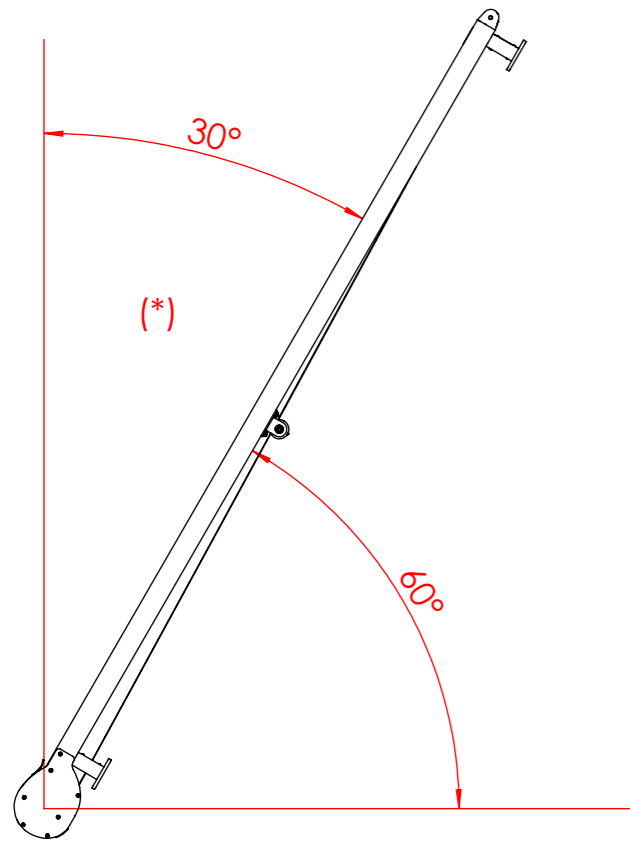


ADDITIONAL DRAINAGE HOLES REQUEST
 IF SYSTEM IS BOTTOM UP AND
 >60° FROM HORIZONTAL
 DRAINAGE HOLES (*)
 REQUIRED TO PREVENT
 WATER BUILD UP IN HEADBOX

-SEE ORDER SHEET



NOTE

MOUNTING FOOT KIT NOT FITTED FOR DISPATCH.

1 OFF 3MM & 4MM HEX KEYS SUPPLIED IN INSTALLATION KIT.

QUANTITY OF MOUNTING FOOT ASSEMBLIES REQUIRED.

FOR SYSTEMS >3000 RELIEVING ROLLER SHOULD BE FITTED TO SYSTEM.

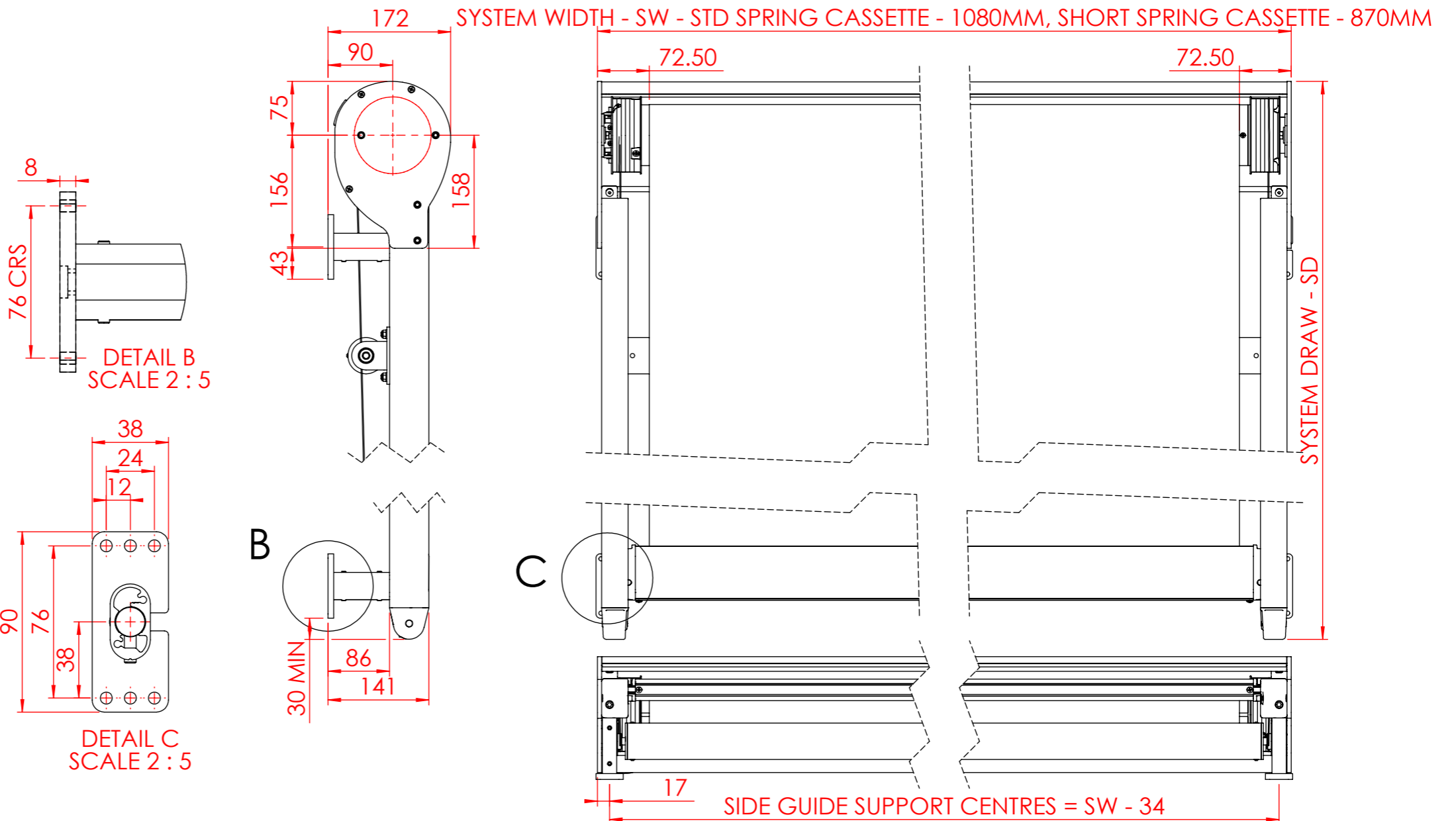
RELIEVING ROLLERS TO BE FITTED AT EQUAL DISTANCES.

CUSTOMER TO SPECIFY RELIEVING ROLLER QTY.

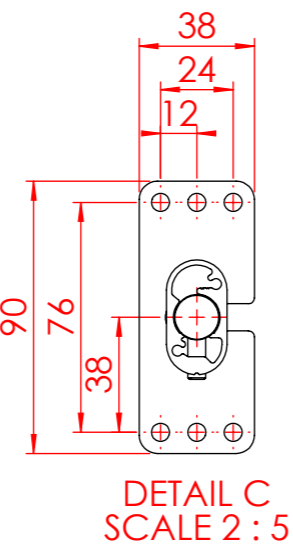
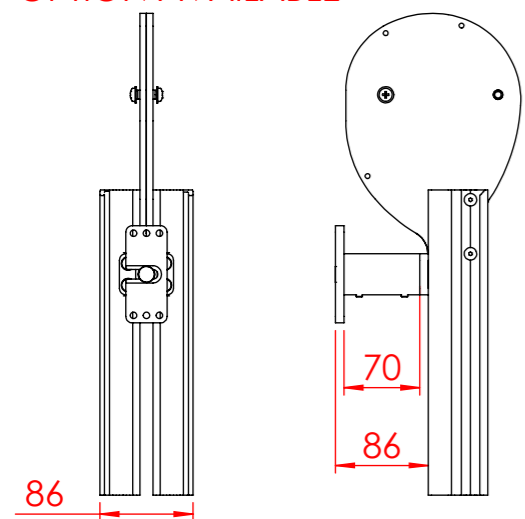
PRODUCTION	APPROVED FOR PRODUCTION
PURCHASING	APPROVED FOR PURCHASING
SALES	FOR INFORMATION ONLY
MARKETING	FOR INFORMATION ONLY

RECOMMENDED QTY OF MOUNTING FOOT

DRAW	QTY
< 2000	4
2000 - 3500	6
3500 - 5000	8
5000 +	10



**BACK TO BACK SYSTEM
 OPTION AVAILABLE**



THIRD ANGLE PROJECTION	
REMOVE ALL SHARP EDGES	
IF IN DOUBT ASK	DO NOT SCALE
GENERAL TOLERANCES TO ISO2768-m	
ALL DIMNS.IN mm	DRAWN TO BS308

This drawing is copyright and the exclusive property of GUTHRIE DOUGLAS GROUP LTD., and must not be copied, used or exhibited without prior written consent.

Guthrie Douglas

12 Heathcote Way, Heathcote Industrial Estate,
 Warwick CV34 6TE, UK
 Tel : (01926) 310850 Fax : (01926) 832914

Customer			
Material	Scale	Size	
	1:7	A3	
Surface Finish	Special		

T420

INSTALLATION DRAWING

Product Group	SOLAR		Item No.	N/A
Drawn	Date	Checked	Date	
ashley.smith	04-03-2015	ashley.smith	05-02-2016	
DRG.NO:	GDP22939 / 05			
SHEET 1 OF 1 SHEETS				