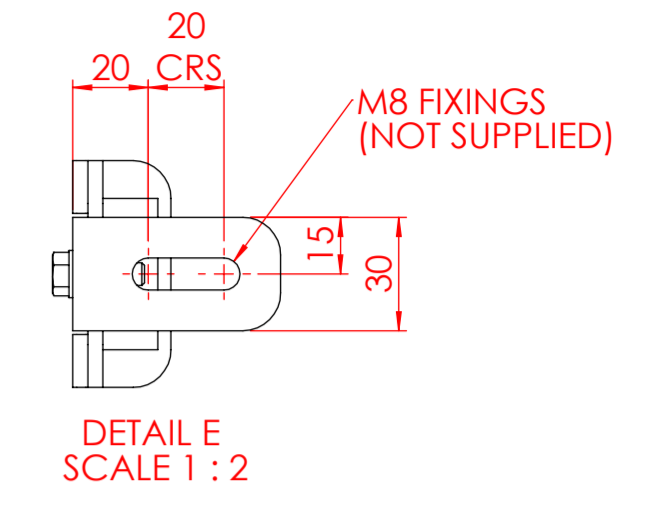
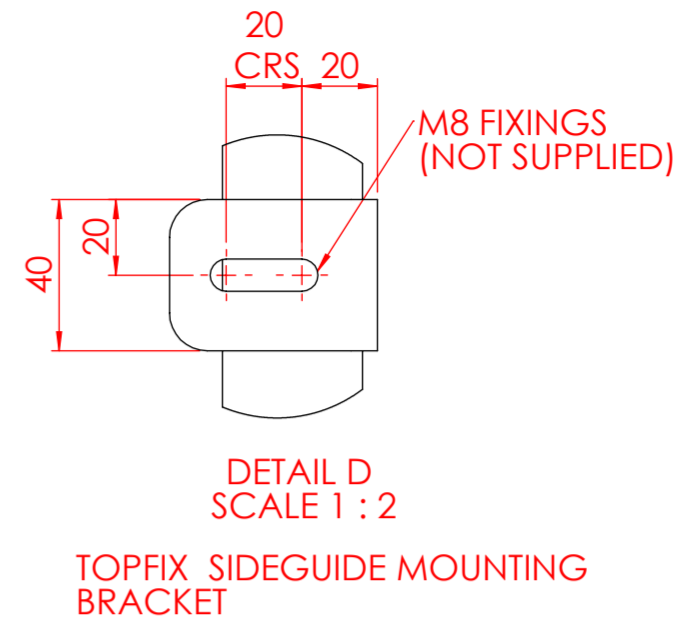
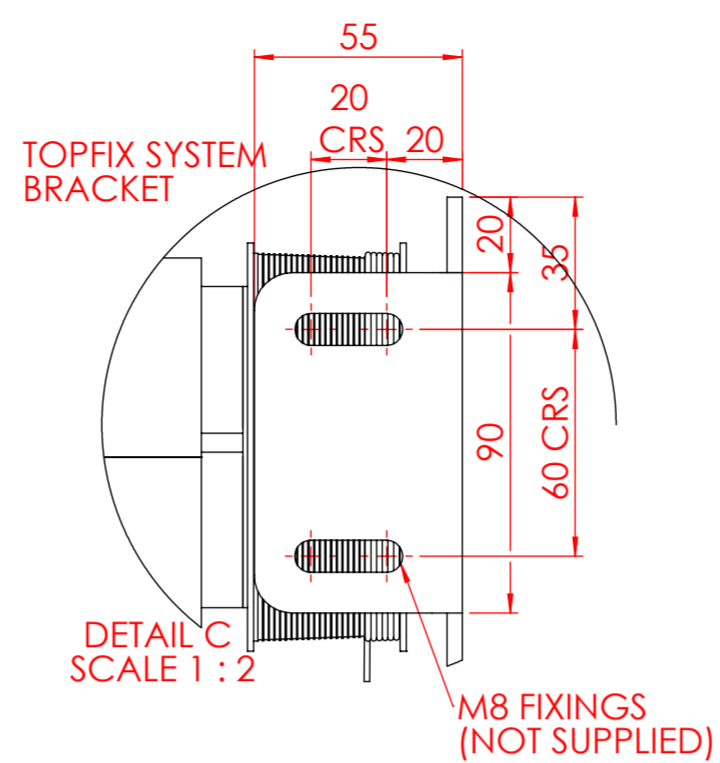
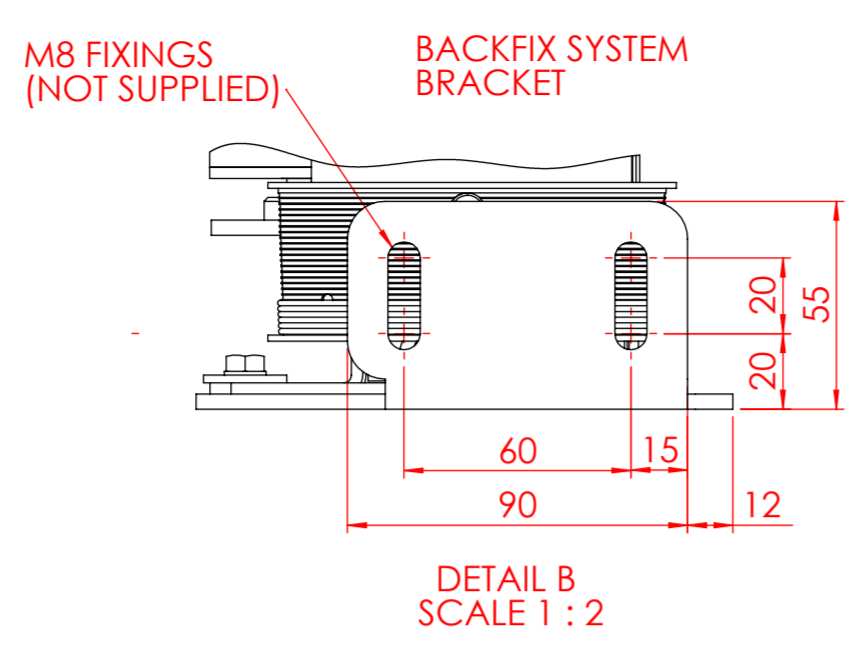
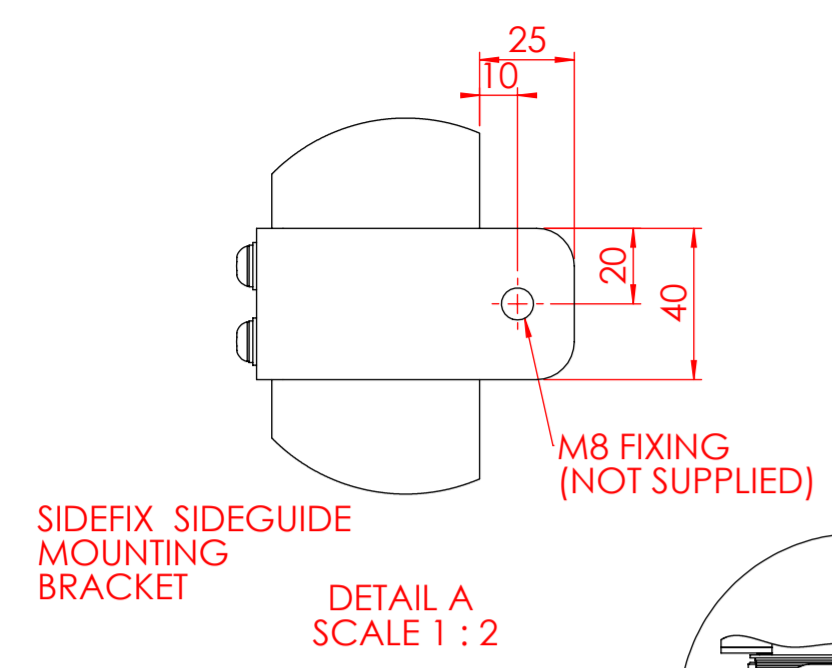
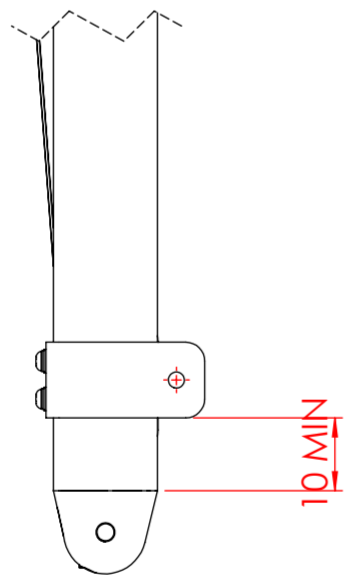
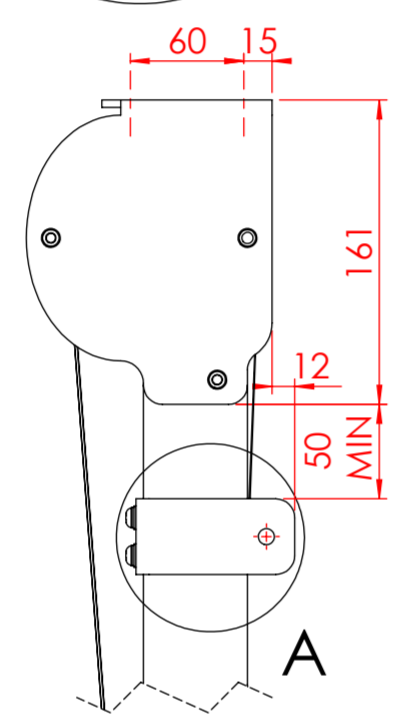


PRODUCTION	APPROVED FOR PRODUCTION
PURCHASING	APPROVED FOR PURCHASING
SALES	NO
MARKETING	NO

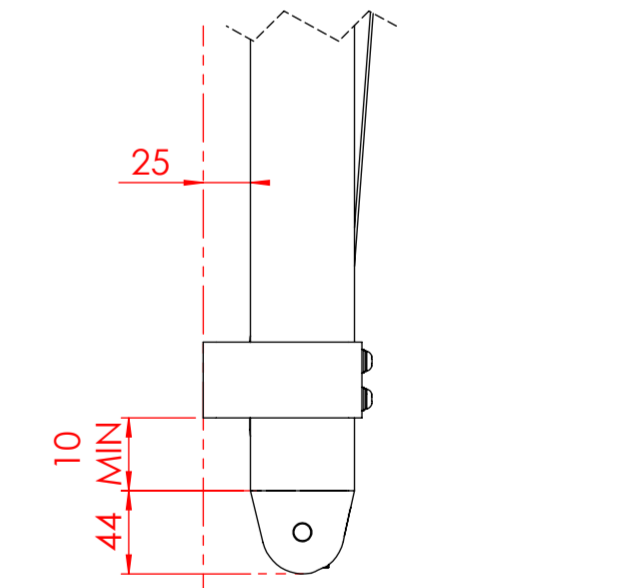
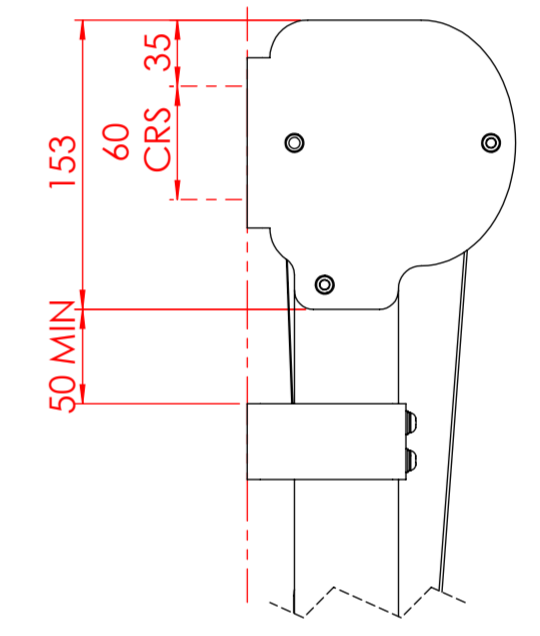
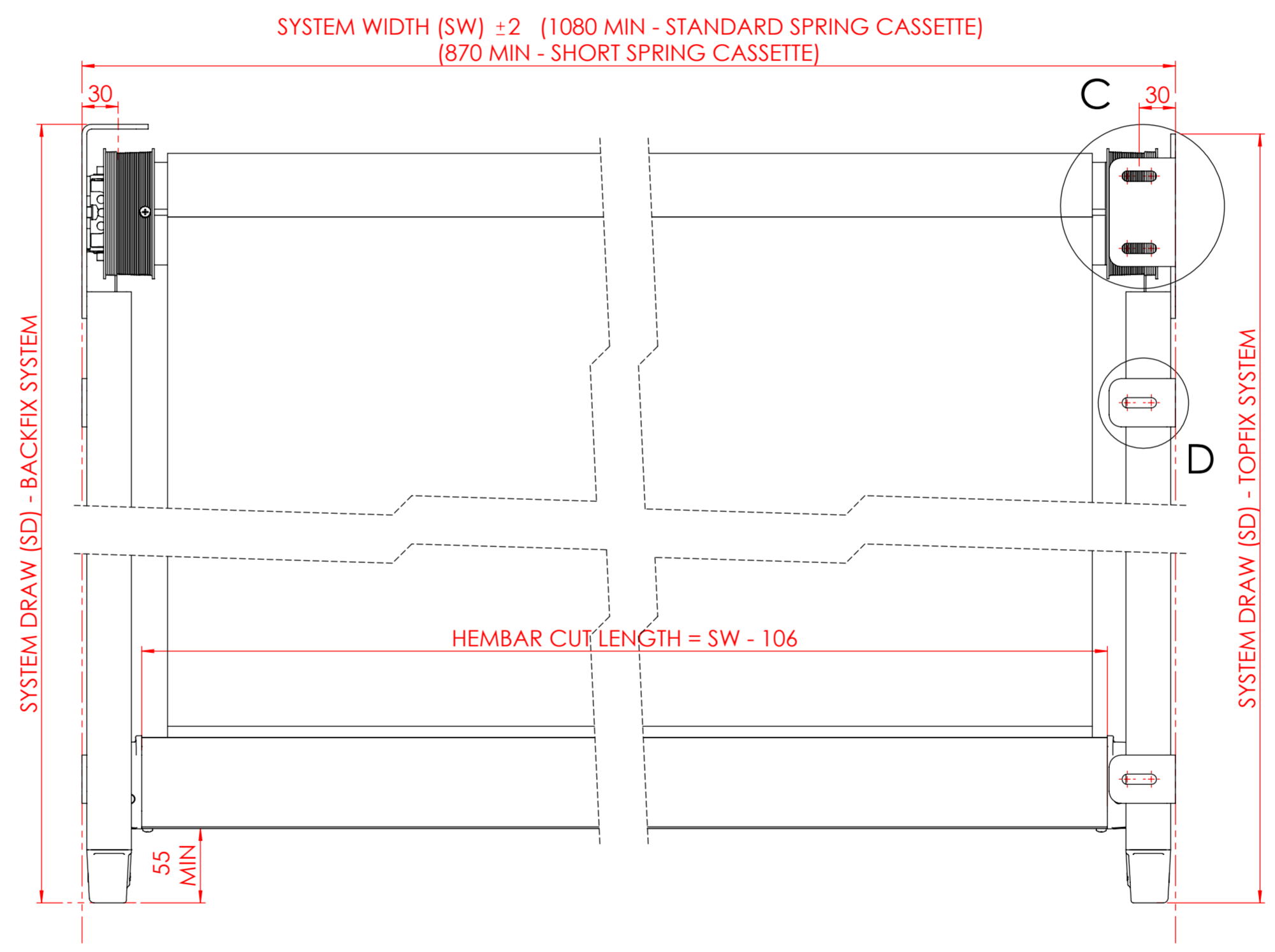
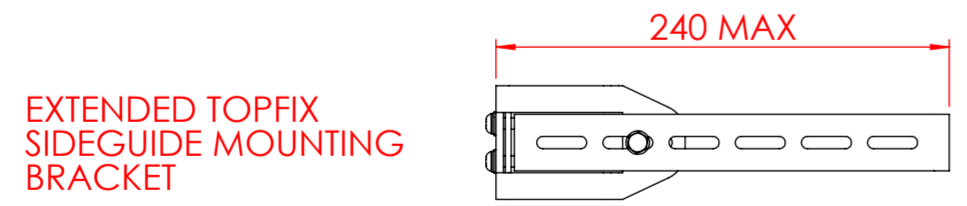


NOTES

1. WHEN SW > 4000, HEAVY DUTY HEMBAR TO BE INSTALLED.
2. WHEN SD > 3000, RELIEVING ROLLER TO BE INSTALLED AT MID-DRAW. SEE GDP23041.
3. TWO TYPES OF SYSTEM FIXING ARE AVAILABLE - TOP FIX OR BACK FIX.
4. TWO TYPES OF SIDEGUIDE MOUNTING BRACKET ARE AVAILABLE - TOP FIX OR SIDE FIX. AN EXTENDED TOP FIX BRACKET IS ALSO AVAILABLE.
5. FOR BACK TO BACK INSTALLATION SEE GDP23042
6. MOUNTING TYPES MAY BE COMBINED LENGTHWISE WITHIN A SYSTEM E.G. BACK FIX SYSTEM WITH TOP FIX SIDEGUIDE MOUNTING BRACKETS



BACK FIX SYSTEM WITH SIDE FIX SIDEGUIDE MOUNTING BRACKETS. BRACKETS TO BE EVENLY SPACED ALONG SIDEGUIDE



TOP FIX SYSTEM WITH TOP FIX SIDEGUIDE MOUNTING BRACKETS. BRACKETS TO BE EVENLY SPACED ALONG SIDEGUIDE

SIDEGUIDE MOUNTING BRACKET ASSEMBLIES REQUIRED PER SYSTEM

DRAW	QTY
< 2000	2 (FITTED AT RETURN PULLEY END OF SIDEGUIDE)
2000 - 3500	4
3500 - 5000	6
> 5000	8

THIRD ANGLE PROJECTION	
REMOVE ALL SHARP EDGES	
IF IN DOUBT ASK	DO NOT SCALE
GENERAL TOLERANCES TO ISO2768-m	
ALL DIMS. IN mm	DRAWN TO BS308

This drawing is copyright and the exclusive property of GUTHRIE DOUGLAS LTD. and must not be copied, used or exhibited without prior written consent.

Guthrie Douglas

12 Heathcote Way, Heathcote Ind. Est., Warwick, CV34 6TE, England
Tel : (01926) 452452 Fax : (01926) 336417

Customer	STANDARD		
Material	Scale	Size	
	1:4	A2	
Surface Finish	Special		

NEW TESS 120

INSTALLATION

Product Group	SOLAR			
Drawn	Date	Checked	Date	
Geoff.Smith	18-08-2009	Geoff.Smith	09-03-2010	
DRG.NO:	GDP23040 / 01			
SHEET 1 OF 1 SHEETS				