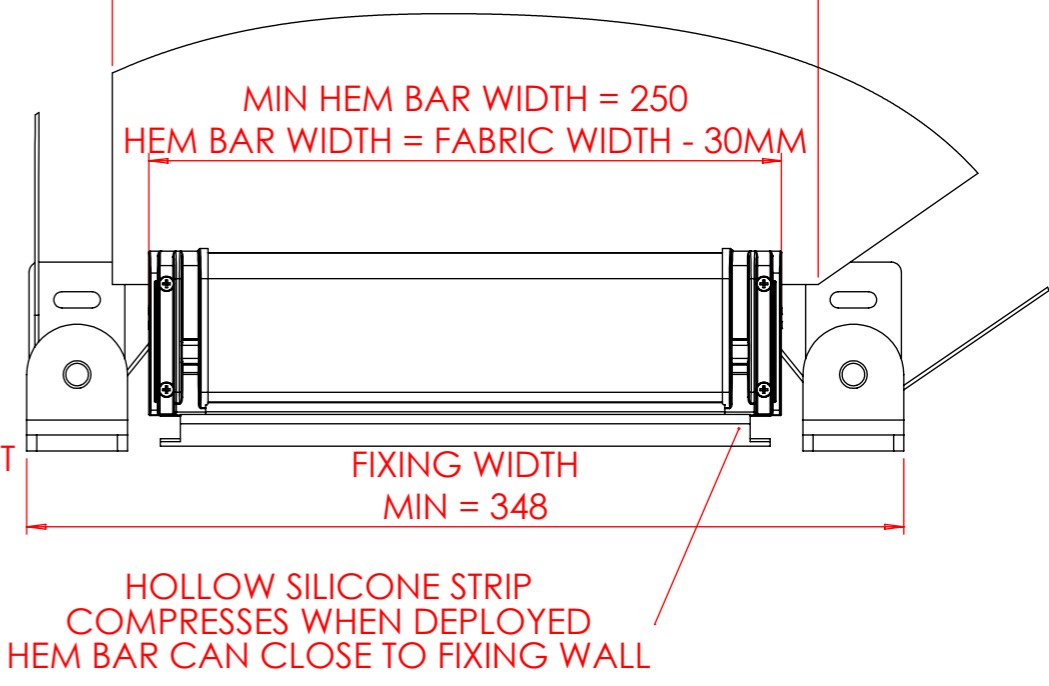
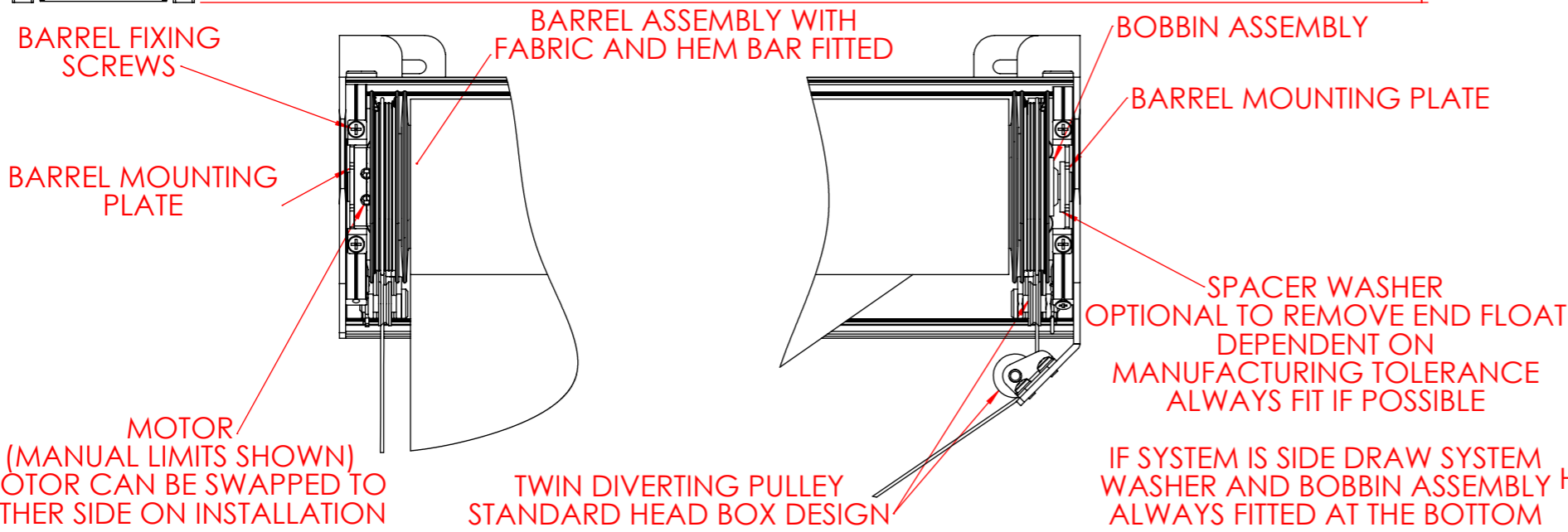
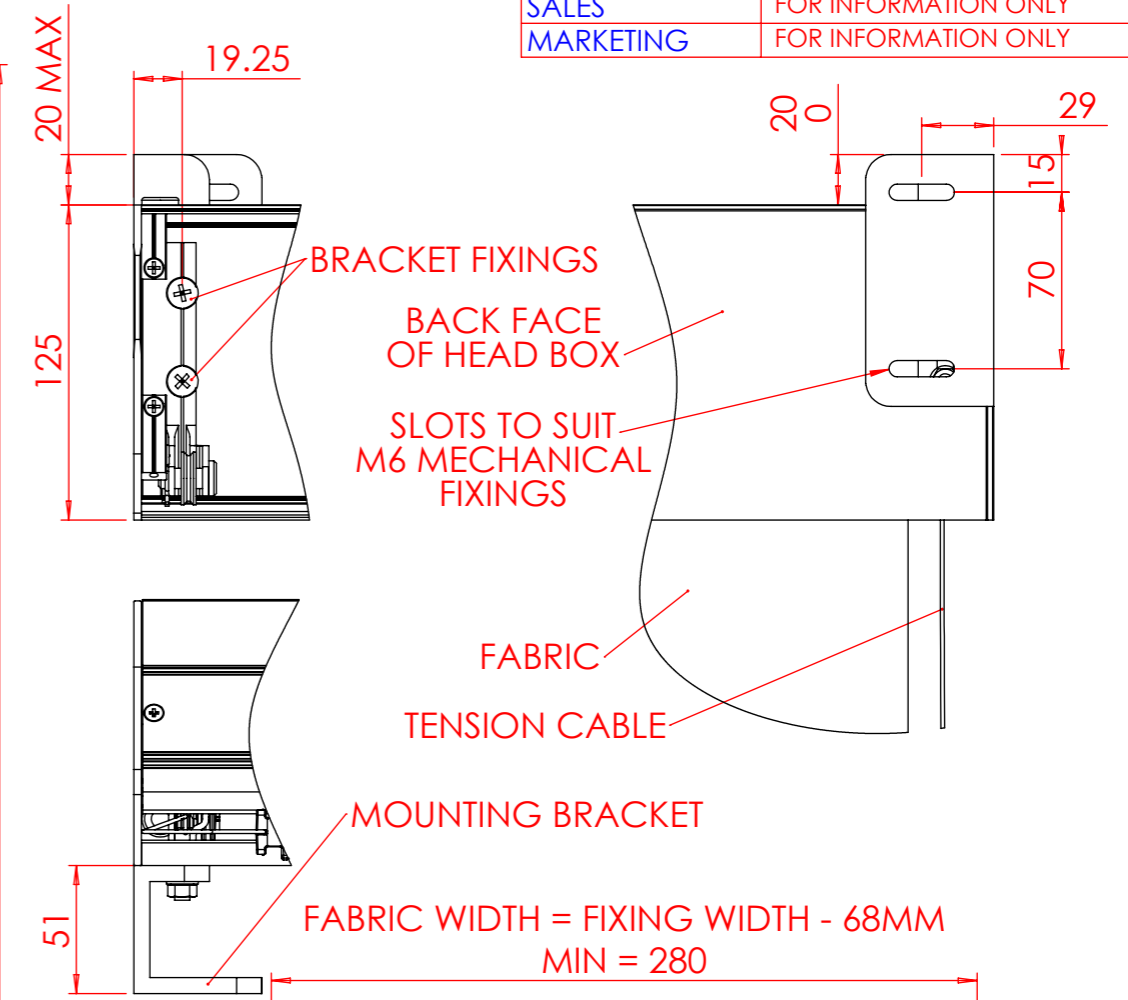
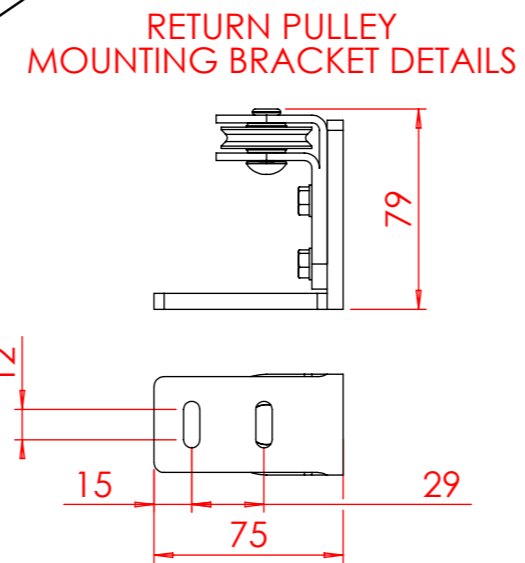
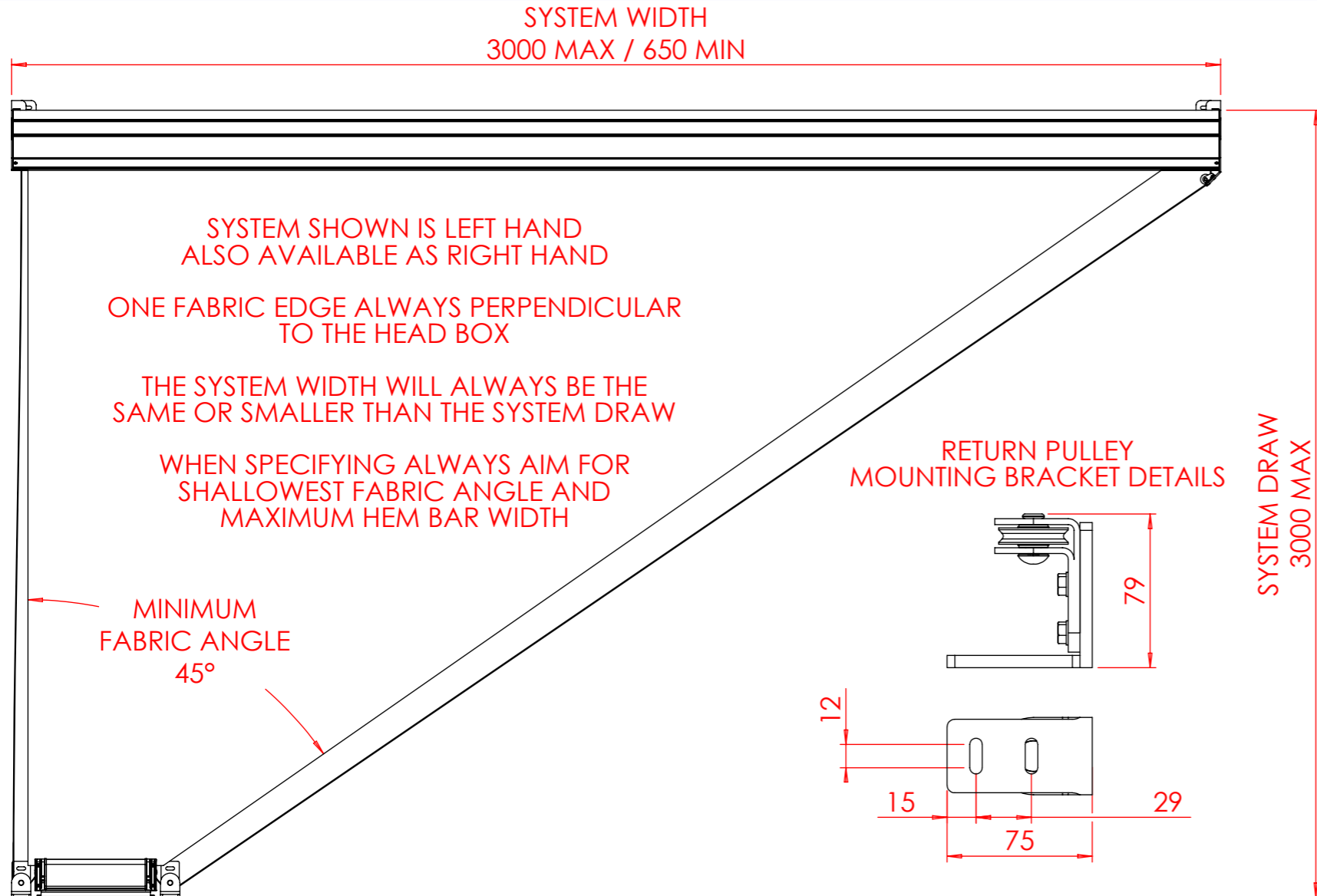


PRODUCTION	APPROVED FOR PRODUCTION
PURCHASING	APPROVED FOR PURCHASING
SALES	FOR INFORMATION ONLY
MARKETING	FOR INFORMATION ONLY



FABRIC WIDTH = FIXING WIDTH - 68MM  
MIN = 280

FIXING WIDTH  
MIN = 348

THIRD ANGLE PROJECTION

REMOVE ALL SHARP EDGES

IF IN DOUBT ASK	DO NOT SCALE
GENERAL TOLERANCES TO ISO2768-m	
ALL DIMNS.IN mm	DRAWN TO BS308

This drawing is copyright and the exclusive property of GUTHRIE DOUGLAS GROUP LTD., and must not be copied, used or exhibited without prior written consent.

**Guthrie Douglas**

12 Heathcote Way, Heathcote Industrial Estate,  
Warwick CV34 6TE, UK  
Tel : (01926) 310850 Fax : (01926) 832914

Customer			
Material	Scale	Size	
	1:12	A3	
Surface Finish	Special		

TESS 601

BACK FIXING

INSTALLATION DRAWING

Product Group		Item No.	
SOLAR		N/A	
Drawn	Date	Checked	Date
Julian.Harding	14-02-2013	Ashley.Smith	04-08-2014
DRG.NO:			
GDP24227		/ 01	
SHEET 1 OF 1 SHEETS			