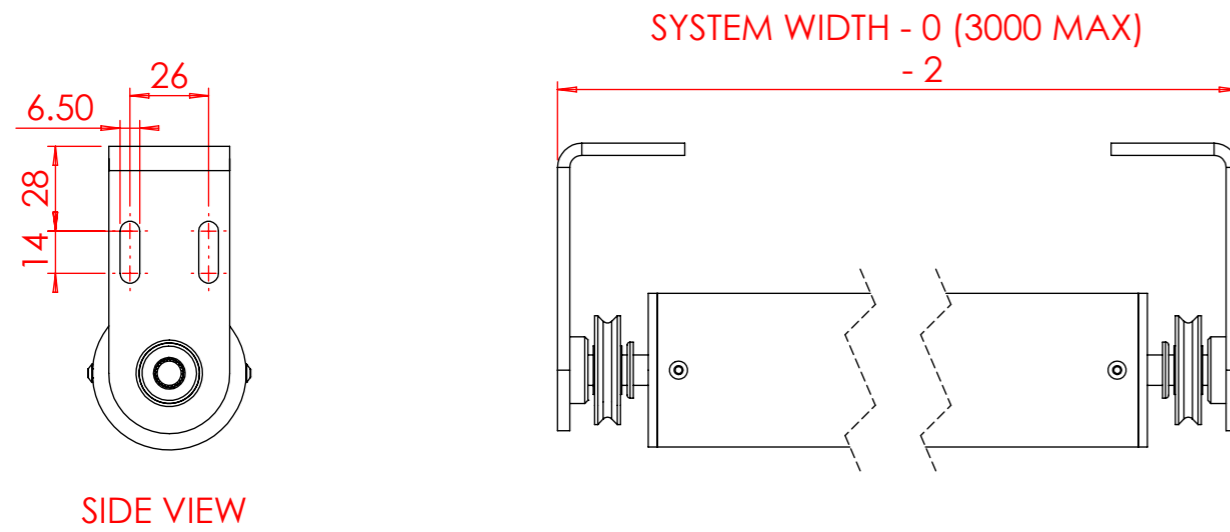
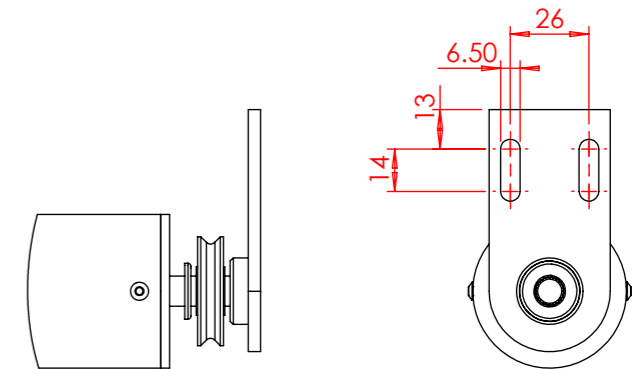


PRODUCTION	APPROVED FOR PRODUCTION
PURCHASING	APPROVED FOR PURCHASING
SALES	NO
MARKETING	NO

TOP FIX BRACKET
FOR CURVED TYPE SYSTEMS USE RELIEVING ROLLER WITH PULLEY.

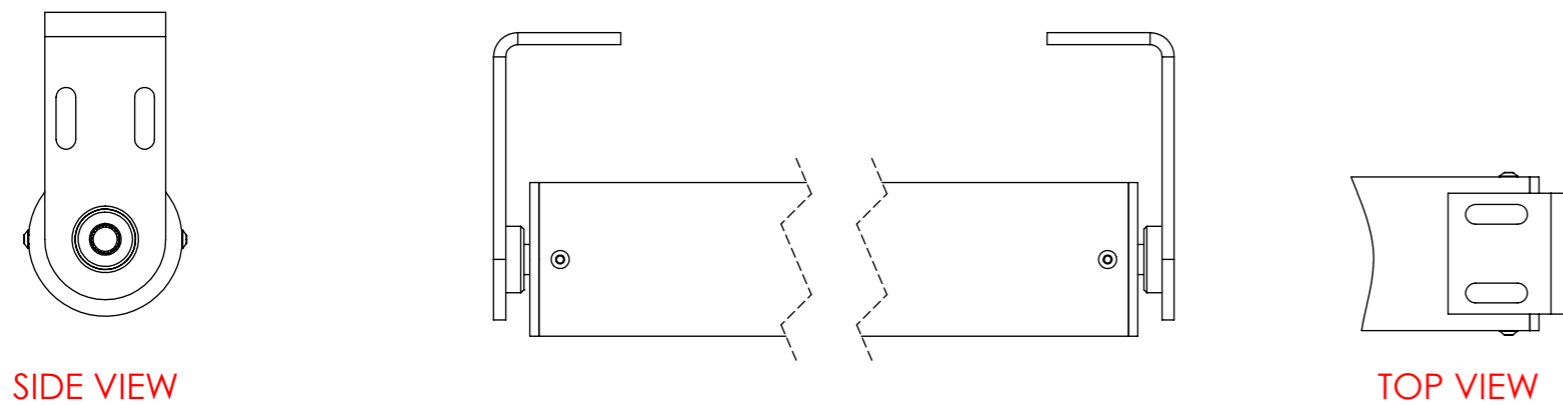


SIDE FIX BRACKET
FOR CURVED TYPE SYSTEMS
USE RELIEVING ROLLER WITH PULLEY

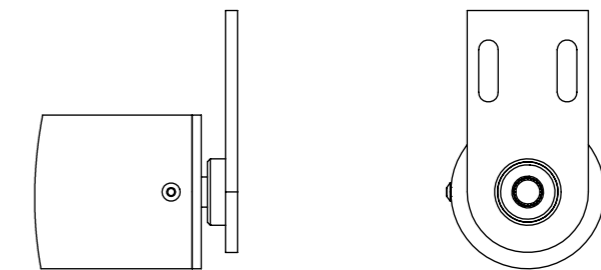


DIMENSIONS STATED IN IMAGES ABOVE ARE EQUIVELENT TO IMAGES BELOW

TOP FIX BRACKET
FOR HORIZONTAL TYPE SYSTEMS USE RELIEVING ROLLER WITHOUT PULLEY

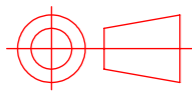


SIDE FIX BRACKET
FOR HORIZONTAL TYPE SYSTEMS
USE RELIEVING ROLLER WITHOUT PULLEY



RELIEVING ROLLERS TO BE USED WHEN SYSTEM IS 3M AND ABOVE RELIEVING ROLLER TO BE USED WITH CURVED/ NON LINEAR SYSTEMS.

EVENLY SPACE RELIEVING ROLLERS ALONG HORIZONTAL SYSTEMS.

THIRD ANGLE PROJECTION 	This drawing is copyright and the exclusive property of GUTHRIE DOUGLAS GROUP LTD., and must not be copied, used or exhibited without prior written consent.	Customer			TESS SYSTEMS Ø50MM RELIEVING ROLLER INSTALLATION	Product Group		Item No.	
		Material Surface Finish				Scale 1:1	Size A3	SOLAR	
REMOVE ALL SHARP EDGES		Guthrie Douglas 12 Heathcote Way, Heathcote Industrial Estate, Warwick CV34 6TE, UK Tel : (01926) 310850 Fax : (01926) 832914			Drawn eng.trainee		Date 29-07-2013	Checked Ashley.Smith	Date 27-05-2014
IF IN DOUBT ASK GENERAL TOLERANCES TO ISO2768-m ALL DIMNS.IN mm DRAWN TO BS308					DRG.NO: GDP24370 / 02		SHEET 1 OF 1 SHEETS		