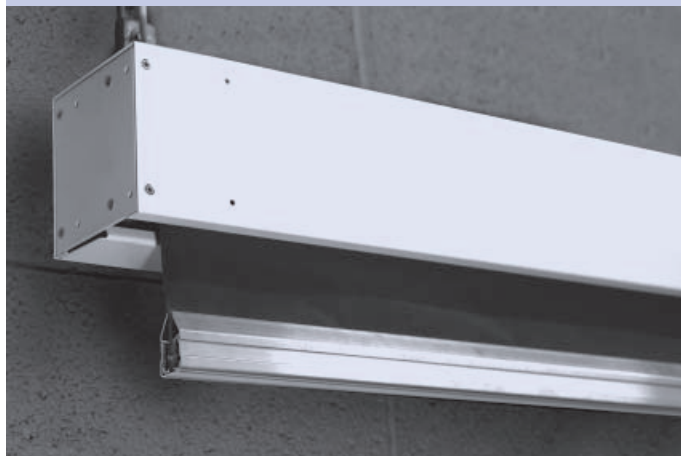


SAC 100 Data

Introduction

The SAC 100 smoke curtain system meets the rigorous requirements of both the Loss prevention Standard LPS 1182 for grade A curtains and the British standard BS 7346 part 3. Through the simplicity of its design, the SAC 100 ensures high reliability whilst keeping installation and future maintenance cost to a minimum.



Technical specification

Zone panel supply	230VAC 50Hz 5AMP
Fire alarm input	Normally closed Volt free contact.
	Open in alarm
Motor supply (V DC)	24
Motor current (A)	2.5
Motor cable length (m)	2.3
Curtain Speed (m.sec-1)	0.10± 0.03
Maximum weights* (kg)	
6m single box inc. roller	74
12m double box inc. 2 rollers	123
18m double box inc. 3 rollers	185
24m double box inc. 4 rollers	250
*excl. fabric	

Materials

Fabric roller – galvanised steel

Boxing, cheek plates, closer plates and box connectors – 18 swg galvanised steel

Screen material –
LFB60 Micronised aluminium polymer coated glass fibre fabric 0.47kg/m².

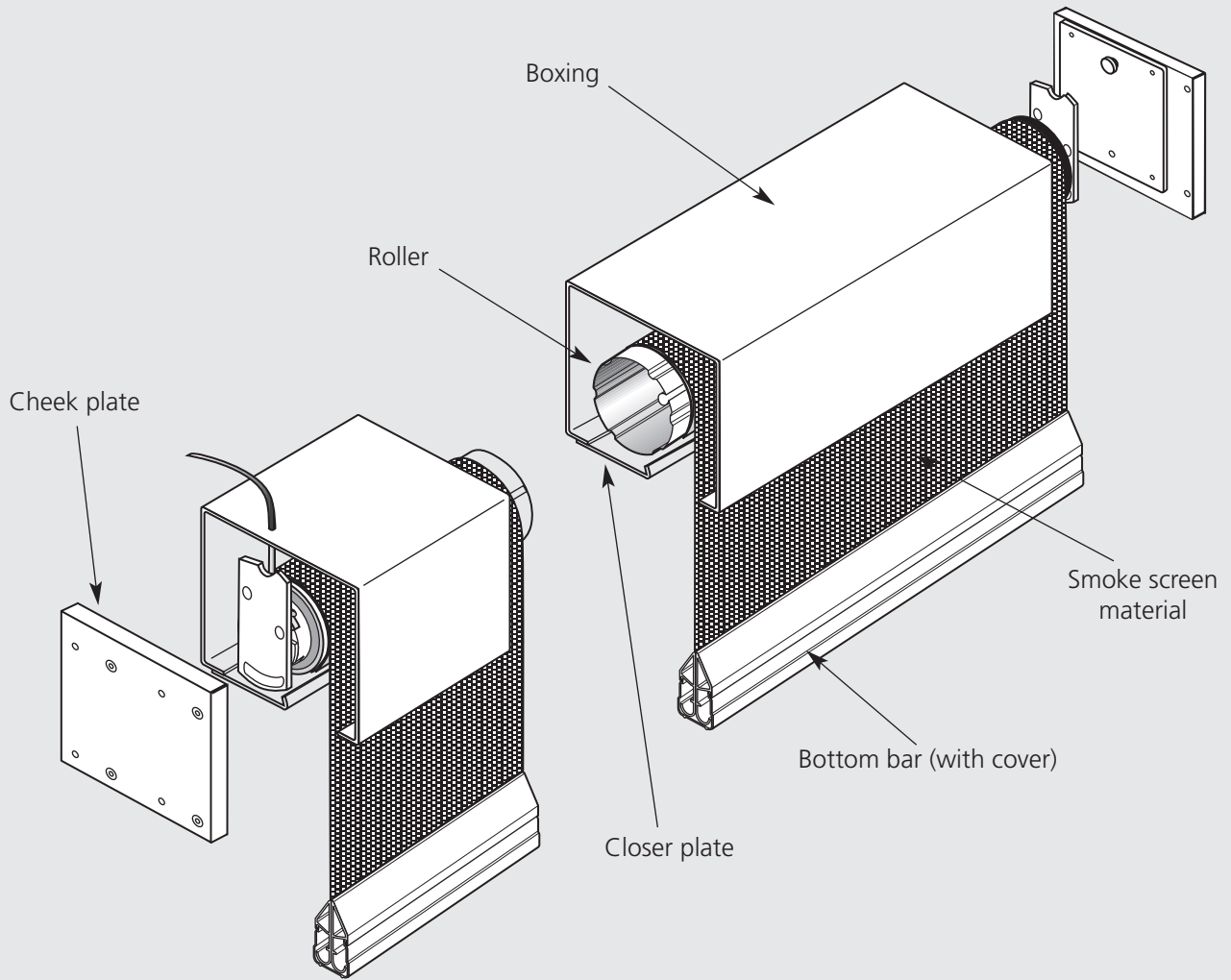
Bottom bar angle and cover strip –
Extruded aluminium.



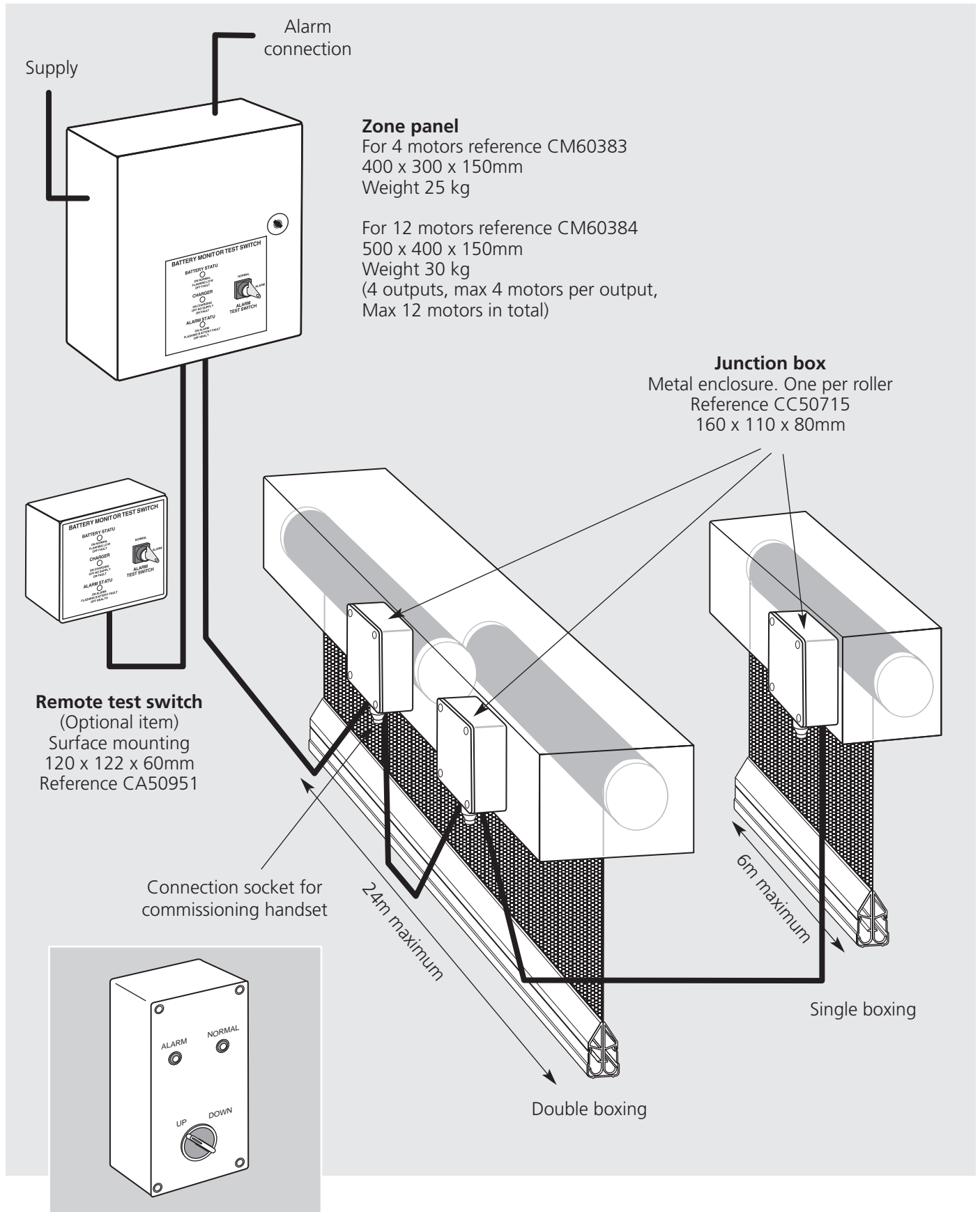
Assessed to ISO 9001: 2000
Certificate No 193

Guthrie Douglas

Details



Example layout



Alarm connection

Supply

Zone panel

For 4 motors reference CM60383
400 x 300 x 150mm
Weight 25 kg

For 12 motors reference CM60384
500 x 400 x 150mm
Weight 30 kg
(4 outputs, max 4 motors per output,
Max 12 motors in total)

Junction box

Metal enclosure. One per roller
Reference CC50715
160 x 110 x 80mm

Remote test switch

(Optional item)
Surface mounting
120 x 122 x 60mm
Reference CA50951

Connection socket for commissioning handset

24m maximum

6m maximum

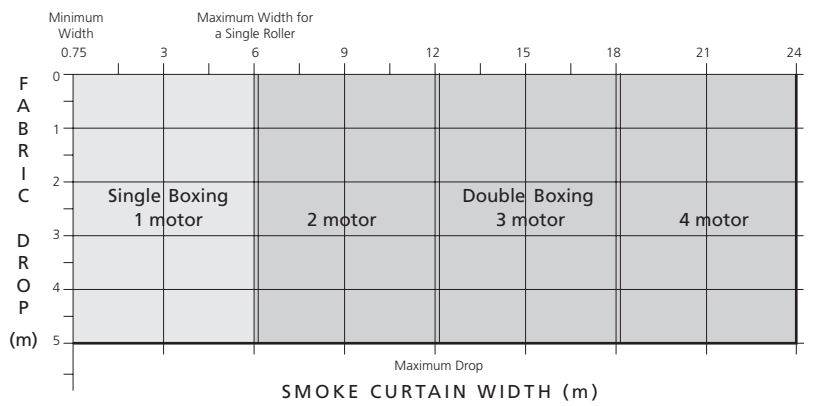
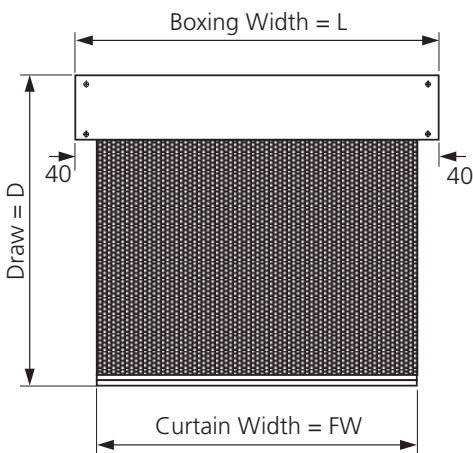
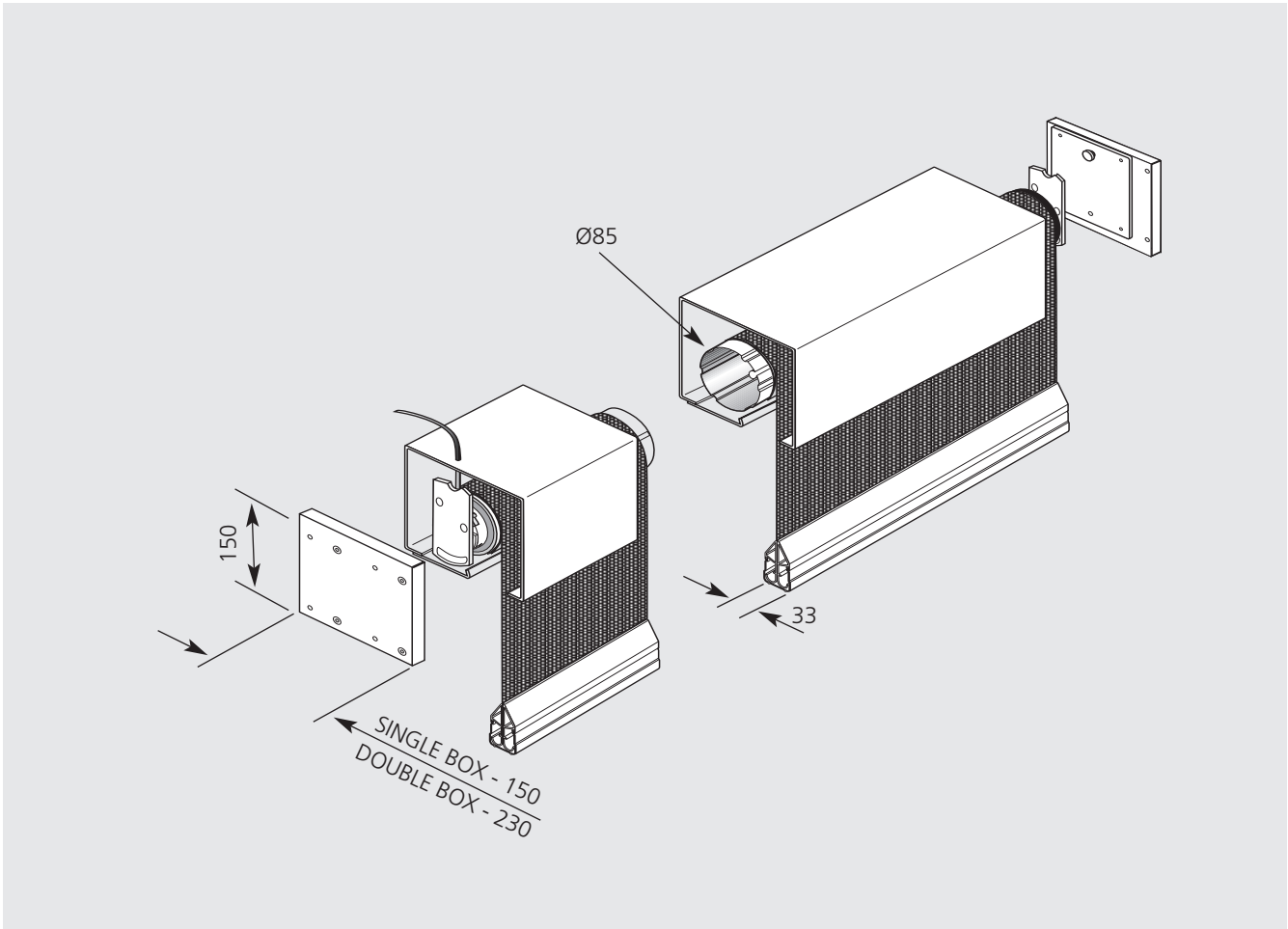
Single boxing

Double boxing

Commissioning handset

(One per project)
160 x 80 x 85mm
Reference CC50716

Dimensions



Guthrie Douglas

Guthrie Douglas Limited
 12 Heathcote Way, Heathcote Industrial Estate
 GB - Warwick CV34 6TE
 Telephone: (+44) 1 926 452452 Fax: (+44) 1 926 832914
 E-mail: sales@guthriedouglas.com Web Site: www.gds smokecontrol.com