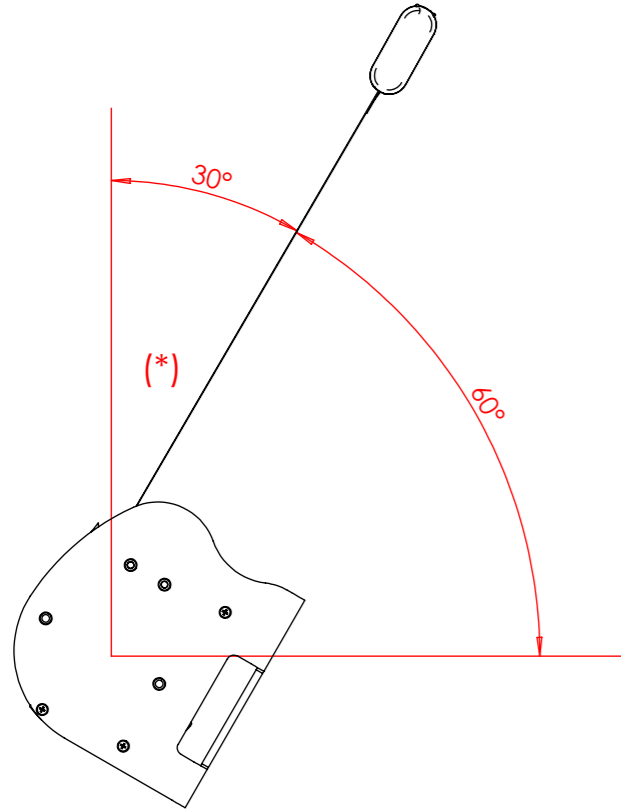
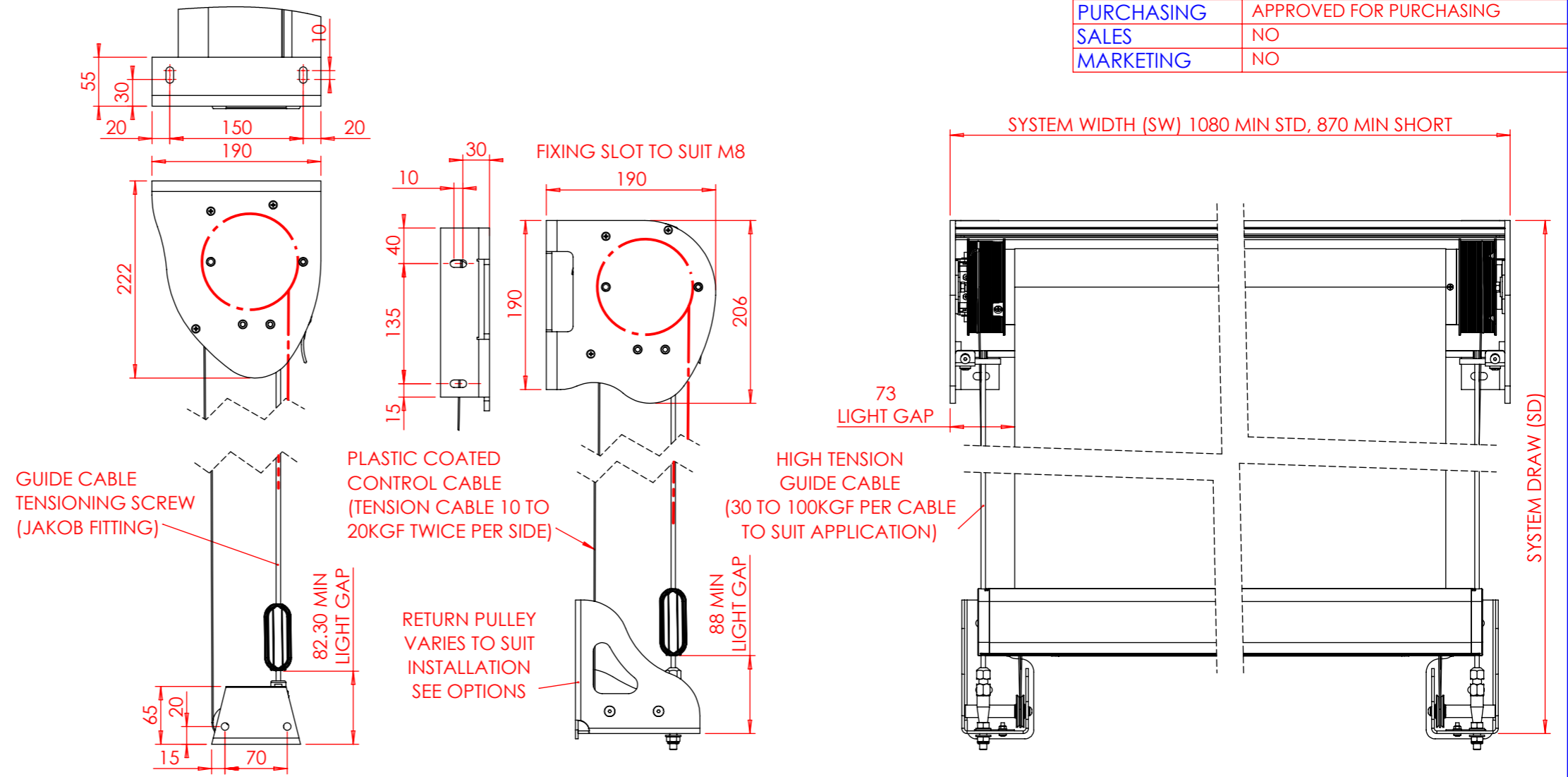


ADDITIONAL DRAINAGE HOLES REQUEST
 IF SYSTEM IS BOTTOM UP AND
 >60° FROM HORIZONTAL
 DRAINAGE HOLES (*)
 REQUIRED TO PREVENT
 WATER BUILD UP IN HEADBOX

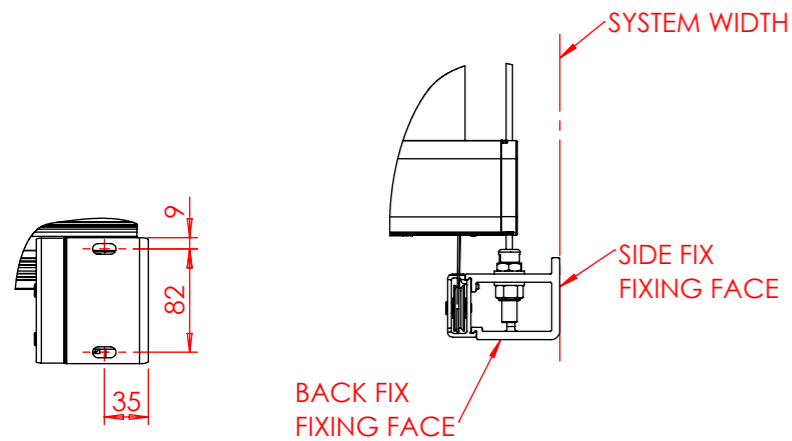
-SEE ORDER SHEET



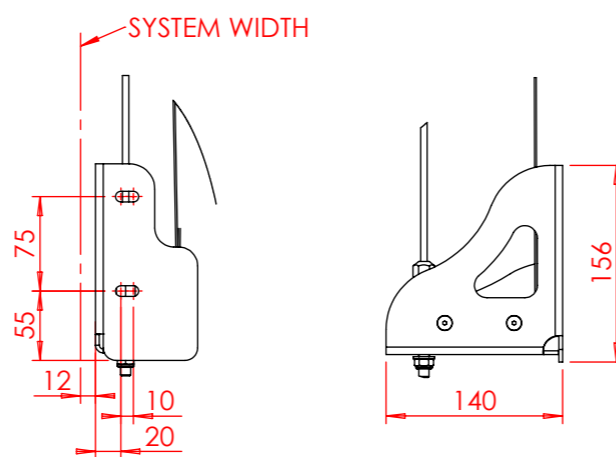
PRODUCTION	APPROVED FOR PRODUCTION
PURCHASING	APPROVED FOR PURCHASING
SALES	NO
MARKETING	NO



BACK OR SIDE FIX RETURN PULLEY



BOTTOM FIX RETURN PULLEY



HEAD BOX ASSEMBLY AND RETURN PULLEY STYLES CAN BE MIXED TO SUIT THE APPLICATION

THE SYSTEMS MUST BE SET OUT SQUARE AND PARALLEL

FINE TRACKING ADJUSTMENT CAN BE CARRIED OUT AFTER INSTALLATION IS COMPLETED

ALL FIXING POSITIONS ARE TO SUIT M8 FASTENERS

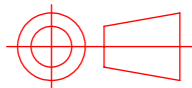
ALL FIXING SCREWS ARE SUPPLIED BY THE INSTALLER THEY MUST BE SUITABLE FOR THE INSTALLATION AND CAPABLE OF WITHSTANDING PULL-OUT LOADS

THE SYSTEM IS SUPPLIED AS A BARREL ASSEMBLY, HEADBOX ASSEMBLY, CABLE KIT, AND RETURN PULLEY KIT

THE SYSTEM WILL BE SUPPLIED WITH A FIXING KIT, THE KIT WILL INCLUDE BARREL FIXING SCREWS, TENSIONING TOOL AND INSTALLATION MANUAL

THE SYSTEM MUST BE INSTALLED BY A COMPETENT INSTALLER FOLLOWING THE INSTALLATION MANUAL

THIRD ANGLE PROJECTION



This drawing is copyright and the exclusive property of GUTHRIE DOUGLAS GROUP LTD., and must not be copied, used or exhibited without prior written consent.

Guthrie Douglas

12 Heathcote Way, Heathcote Industrial Estate,
 Warwick CV34 6TE, UK
 Tel : (01926) 310850 Fax : (01926) 832914

Customer

Material

Surface Finish

Scale

1:6

Size

A3

Special

TESS SYSTEMS

TESS 440

INSTALLATION DRAWING

Product Group

SOLAR

Item No.

N/A

Drawn

ashley.smith

Date

10-08-2017

Checked

Ashley.smith

Date

23-10-2017

DRG.NO:

GDP25284

/ 01

SHEET 1 OF 1 SHEETS

REMOVE ALL SHARP EDGES

IF IN DOUBT ASK

DO NOT SCALE

GENERAL TOLERANCES TO ISO2768-m

ALL DIMNS.IN mm

DRAWN TO BS308