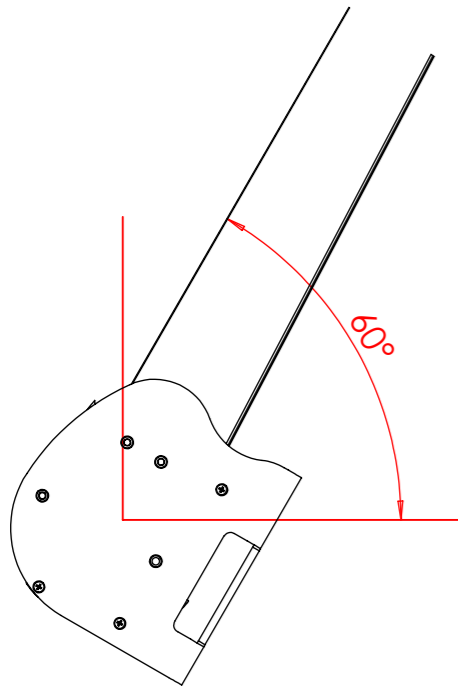


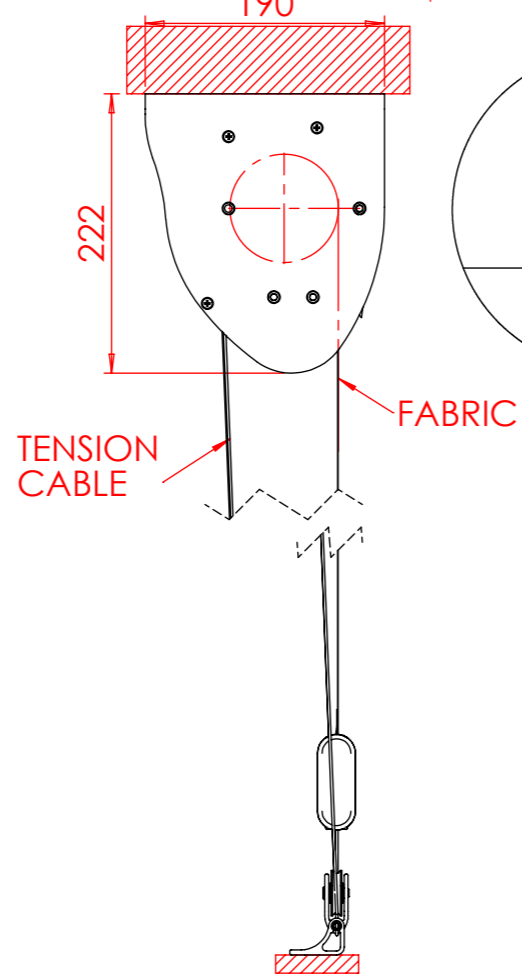
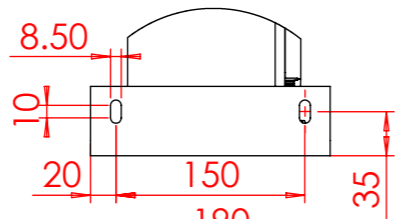
ADDITIONAL DRAINAGE HOLES

IF SYSTEM IS INSTALLED AS PER DIAGRAM >60° FROM HORIZONTAL DRAINAGE HOLES ARE REQUIRED

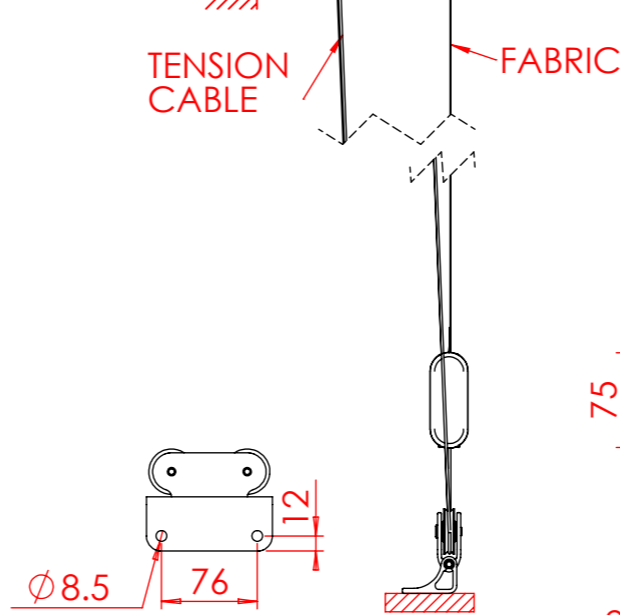
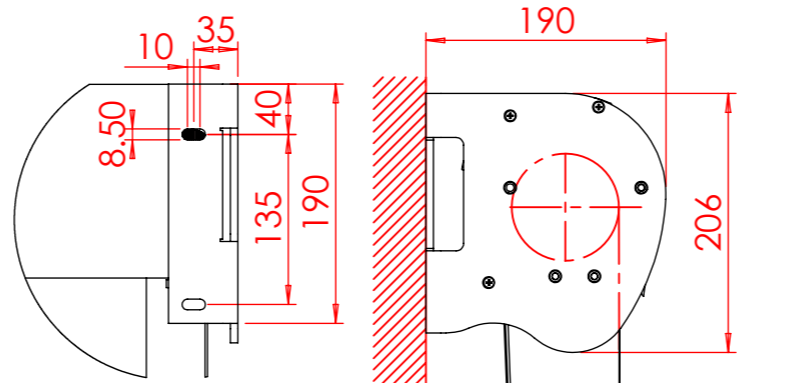
SEE ORDER SHEET



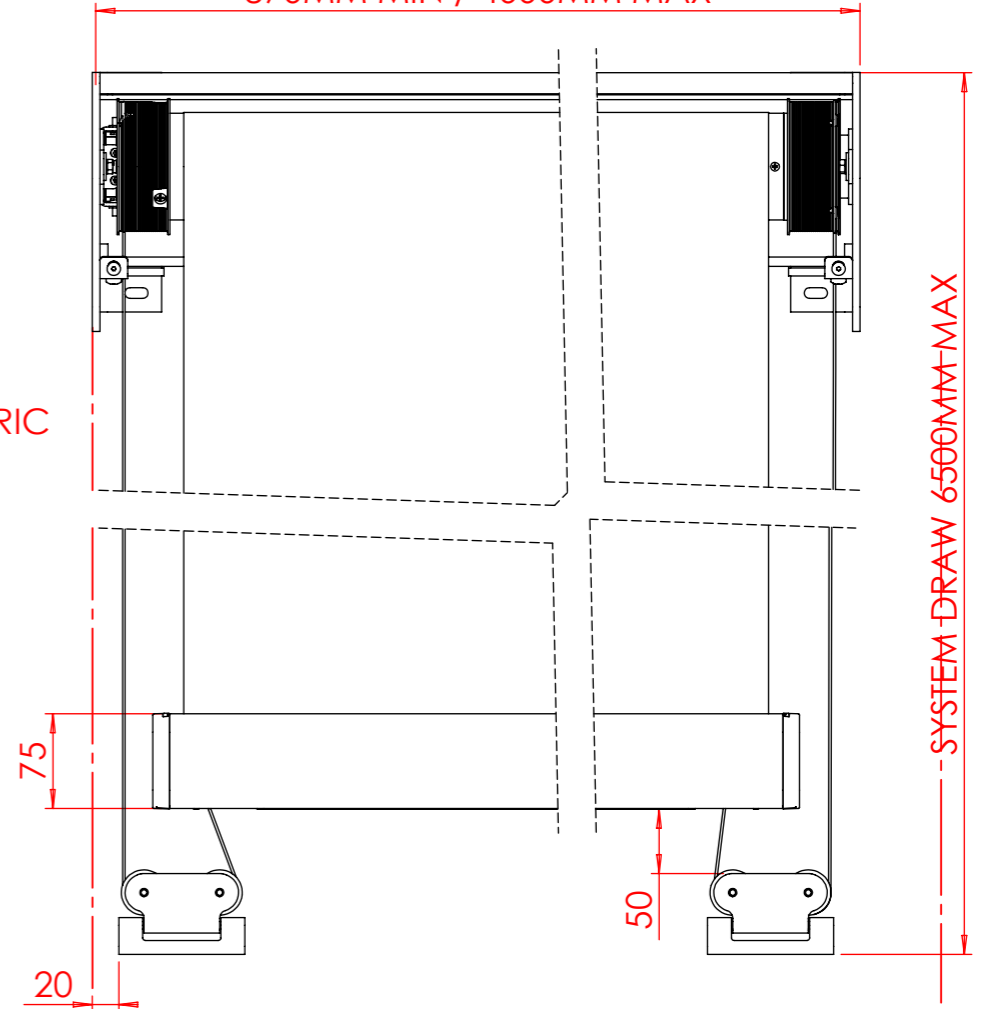
FACE FIX HEAD BOX



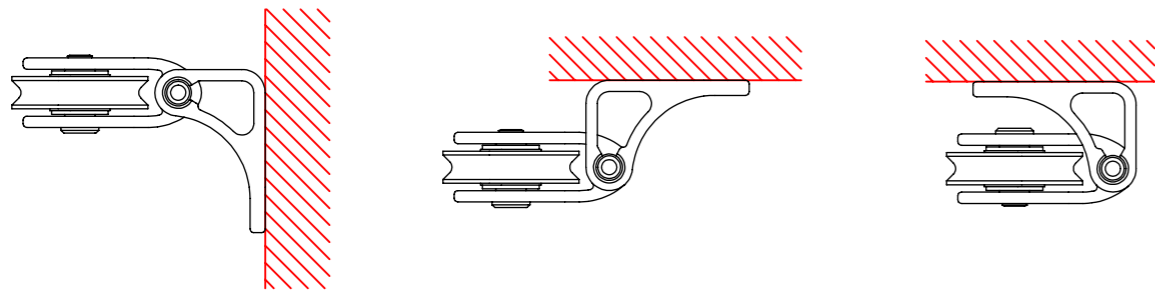
BOTTOM FIX HEAD BOX



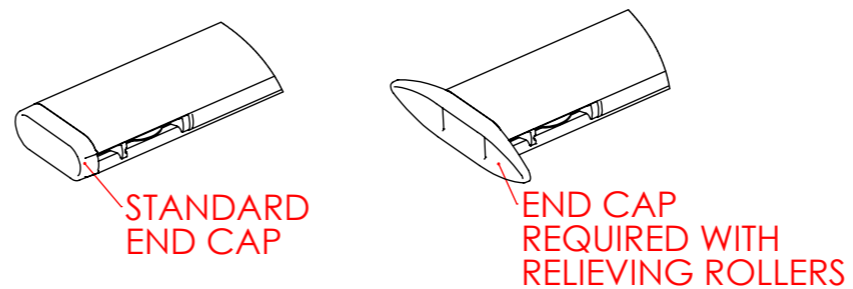
SYSTEM WIDTH
870MM MIN / 4000MM MAX



**PIVOTING RETURN PULLEY
POSSIBLE FIXING OPTIONS**



HEMBAR END CAP



FIXINGS NOT SUPPLIED
(ALL FIXING HOLES TO SUIT M8 FASTENERS)

NOTE:
WHEN SYSTEM DRAW EXCEEDS 3 METRES
RELIEVING ROLLERS ARE REQUIRED.
Ø 50MM STANDARD
Ø 70MM ROLLERS USED FOR CURVED /
PITCHED PROFILES AND SYSTEMS >3M WIDE



THIRD ANGLE PROJECTION

This drawing is copyright and the exclusive property of GUTHRIE DOUGLAS GROUP LTD., and must not be copied, used or exhibited without prior written consent.

Guthrie Douglas

12 Heathcote Way, Heathcote Industrial Estate,
Warwick CV34 6TE, UK
Tel : (01926) 310850 Fax : (01926) 832914

Customer

Material

Surface Finish

Scale

1:6

Size

A3

Special

TESS SYSTEMS

TESS 400

INSTALLATION DRAWING

Product Group

SOLAR

Item No.

N/A

Drawn

ashley.smith

Date

10-08-2017

Checked

ashley.smith

Date

17-08-2017

DRG.NO:

GDP25286

/ 01

SHEET 1 OF 1 SHEETS

REMOVE ALL SHARP EDGES

IF IN DOUBT ASK

DO NOT SCALE

GENERAL TOLERANCES TO ISO2768-m

ALL DIMNS.IN mm

DRAWN TO BS308