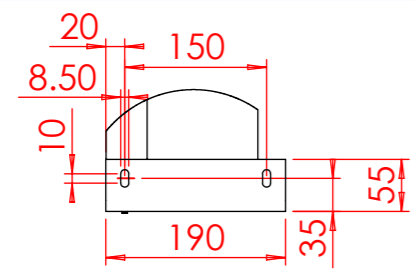


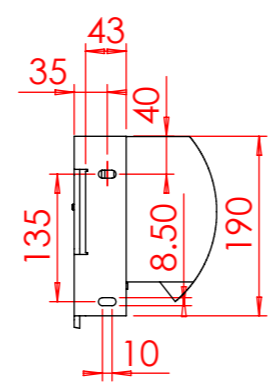
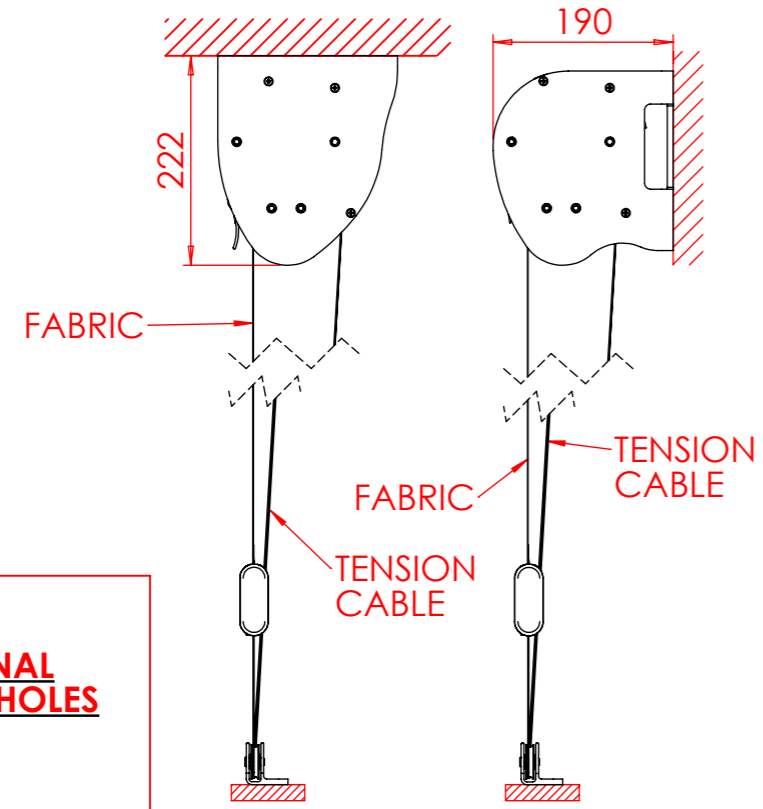
PRODUCTION	APPROVED FOR PRODUCTION
PURCHASING	APPROVED FOR PURCHASING
SALES	NO
MARKETING	NO



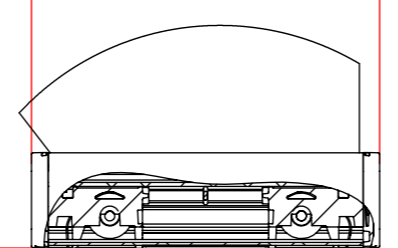
SYSTEM WIDTH ±2  
 (1080MM STANDARD SPRING CASSETTE)  
 (870MM SHORT SPRING CASSETTE)  
 MAX WIDTH 4000MM

**FACE FIX HEAD BOX**

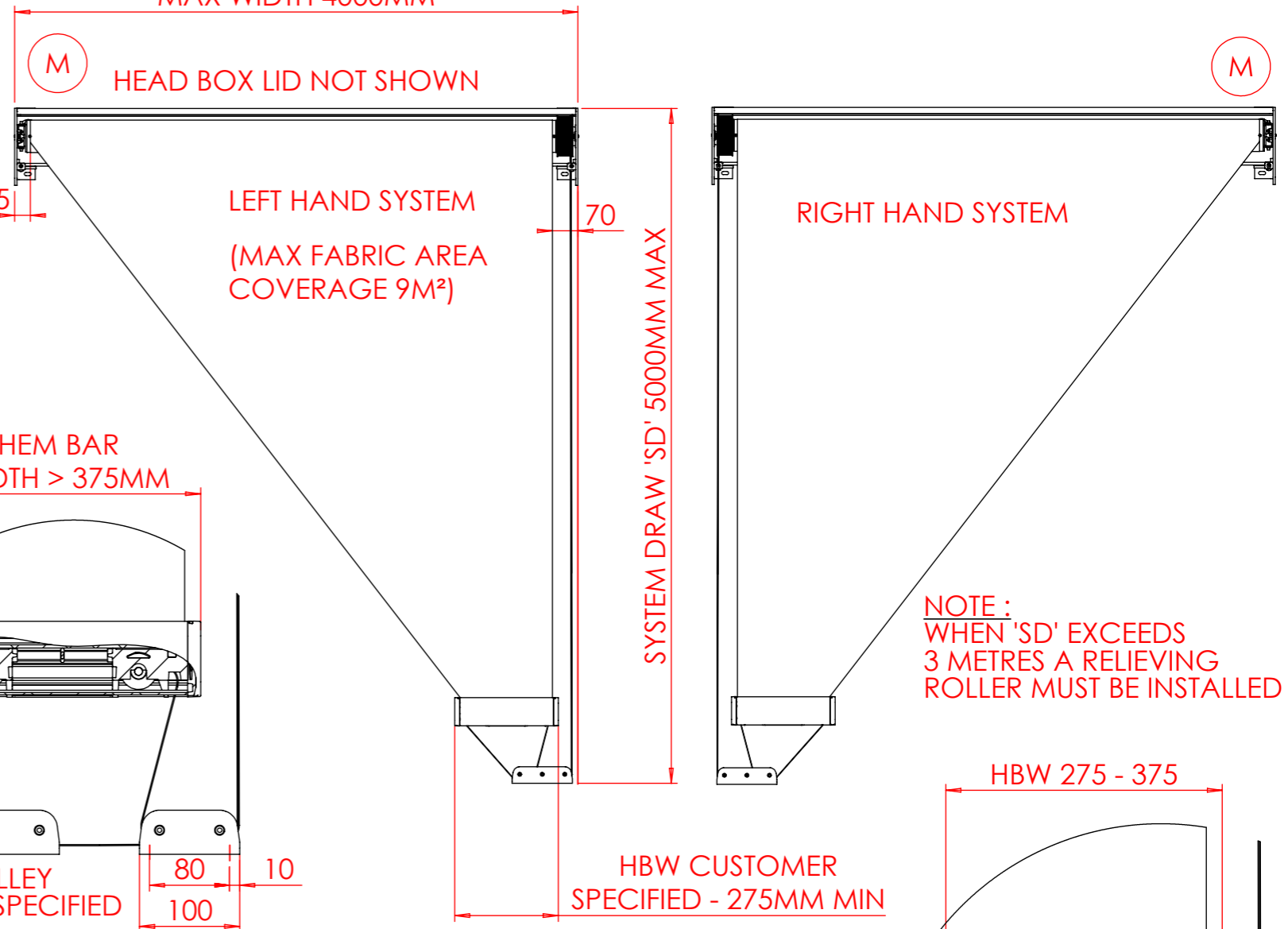
**BOTTOM FIX HEAD BOX**



HEM BAR  
 WIDTH > 375MM



DOUBLE PULLEY  
 ARRANGEMENT SPECIFIED



HEAD BOX LID NOT SHOWN

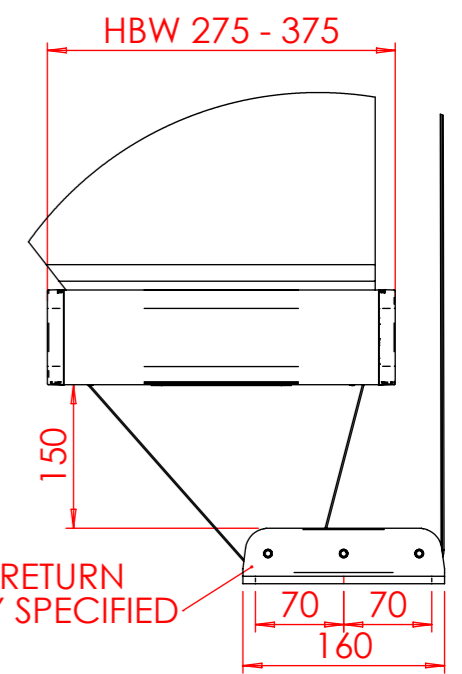
LEFT HAND SYSTEM  
 (MAX FABRIC AREA  
 COVERAGE 9M<sup>2</sup>)

RIGHT HAND SYSTEM

SYSTEM DRAW 'SD' 5000MM MAX

NOTE :  
 WHEN 'SD' EXCEEDS  
 3 METRES A RELIEVING  
 ROLLER MUST BE INSTALLED

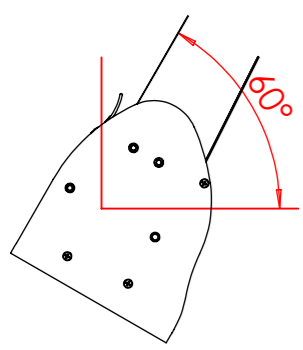
HBW CUSTOMER  
 SPECIFIED - 275MM MIN



BARREL END PLATES AND RETURN PULLEYS  
 REQUIRE M8 FIXINGS TO SECURE IN PLACE.  
 FIXINGS NOT SUPPLIED BY GD.

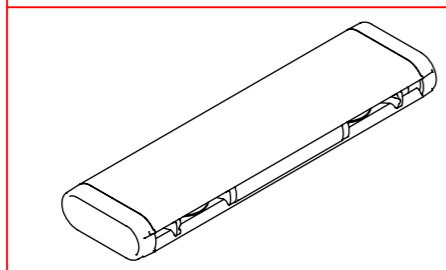
TRIPLE RETURN  
 PULLEY SPECIFIED

**ADDITIONAL  
 DRAINAGE HOLES**

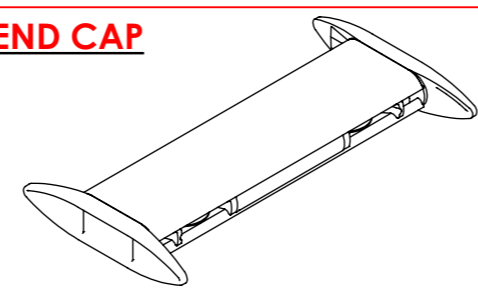


IF SYSTEM IS INSTALLED  
 AS PER DIAGRAM >60°  
 FROM HORIZONTAL  
 DRAINAGE HOLES  
 ARE REQUIRED.

SEE ORDER SHEET



STANDARD HEM BAR  
 WITH STANDARD HORIZONTAL  
 AND VERTICAL SYSTEMS WITH A  
 DRAW <3M



BOAT STYLE HEM BAR  
 FOR SYSTEMS  
 WITH RELIEVING ROLLERS  
 AND A DRAW >3M

THIRD ANGLE PROJECTION	
REMOVE ALL SHARP EDGES	
IF IN DOUBT ASK	DO NOT SCALE
GENERAL TOLERANCES TO ISO2768-m	
ALL DIMNS.IN mm	DRAWN TO BS308

This drawing is copyright and the exclusive property of GUTHRIE DOUGLAS GROUP LTD., and must not be copied, used or exhibited without prior written consent.

**Guthrie Douglas**

12 Heathcote Way, Heathcote Industrial Estate,  
 Warwick CV34 6TE, UK  
 Tel : (01926) 310850 Fax : (01926) 832914

Customer			
Material	Scale	Size	
	1:20	A3	
Surface Finish	Special		

TESS SYSTEMS

TESS 401

INSTALLATION DRAWING

Product Group			Item No.
SOLAR			N/A
Drawn	Date	Checked	Date
ashley.smith	10-08-2017	ashley.smith	17-08-2017
DRG.NO:			
GDP25287		/ 01	
SHEET 1 OF 1 SHEETS			