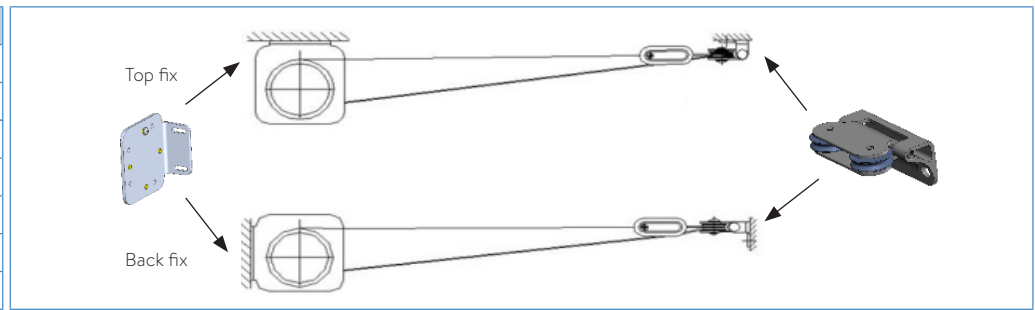


# TESS™ 100 ORDER FORM

YOUR DETAILS				DELIVERY DETAILS (Standard lead time 4-6 weeks)			
Company		Contact		Required delivery date			
Email		Phone		Delivery address			
Address		Order no.		Delivery options			Customer to collect (ExWorks) <input type="checkbox"/> GD to deliver (DAP - surcharge) <input type="checkbox"/>
		Quote no.					
		Project					

SYSTEM DIMENSIONS (IN MM – MAX AREA 16m²)				ROLLER FIXING			RETURN PULLEY	RELIEVING ROLLER TYPE				MOTOR SIDE			
POS	QTY	WIDTH (SW) (max 4000 mm)	DRAW (SD) (max 6500 mm)	UNIVERSAL BRACKET				(Flat glazing or SW <3m) ø50mm	(Curved glazing or SW >3m) ø70mm	Qty of relieving rollers per system	Fixing type		STD		OPH
				TOP	BACK	SIDE FIX			TOP	SIDE					
1							Double Pivoting Return Pulley								
2															
3															
4															
5															
6															
7															
8															
9															
10															
11															
12															
TOTAL															

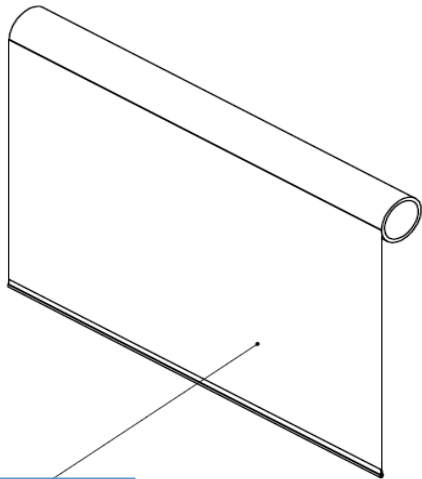
POWDER COATING OPTIONS					MOTOR CONTROL		
REF	RAL 9016 30% (traffic white matt = standard)				All radio transmitters below are battery powered		
3075	Other RAL, specify below (surcharge)				Hard Wired	Radio	
3066	RAL	GLOSS LEVEL			REF	RADIO TRANSMITTERS	QTY
		30% matt	70% satin	90% gloss	7349	1 channel (hand held)	
					7350	4+1 channel (hand held)	
					7351	16 channel (hand held)	
				7352	1 channel (wall mounted)		



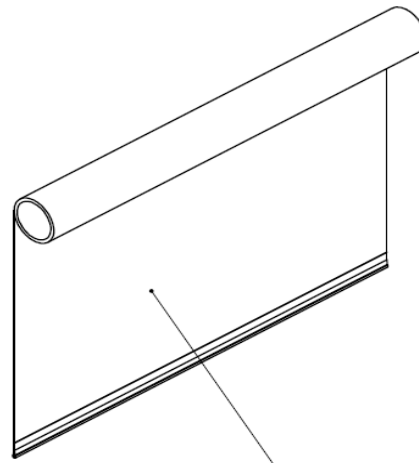
MOTOR VOLTAGE OPTIONS			ACCESSORIES			HEMBAR FINISHING STRIP						
REF	Standard motor voltage: 230V AC/50 Hz		REF	Hirschmann plug		REF	White		REF	Black		None
	Special motor voltage: 110V AC/60 Hz											
3079	Special motor voltage: 24V DC (24V DC motors incur a surcharge)		FORM COMPLETED BY: .....									
			PRINT NAME			SIGNATURE			REGISTERED INSTALLER			DATE

# TESS™ 100 FABRIC ORDER FORM

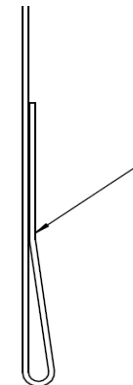
FABRIC SUPPLIED AND FITTED BY GUTHRIE DOUGLAS		OTHER FABRIC SUPPLY OPTIONS	
Fabric type			Supplied by customer, Guthrie Douglas to fit (surcharge)
Colour code*			No fabric
*Please refer to the Guthrie Douglas approved fabrics colour chart <a href="http://www.guthriedouglas.com/fabric-choices">www.guthriedouglas.com/fabric-choices</a>		<b>Supply notes for all system fabrics</b> <ul style="list-style-type: none"> <li>Depending on the system width mid welds may be present parallel to the fabric roller.</li> <li>The position of the welds or their orientation cannot be guaranteed.</li> </ul>	



SIDE A	
Colour	



SIDE B	
Colour	



POCKET WELD TO BE ON	
	Side A
	Side B