

YOUR DETAILS				DELIVERY DETAILS (Standard lead time 4-6 weeks)			
Company		Contact		Required delivery date			
Email		Phone		Delivery address			
Address		Order no.		Delivery options			
		Quote no.			Customer to collect (ExWorks)	GD to deliver (DAP - surcharge)	
		Project					

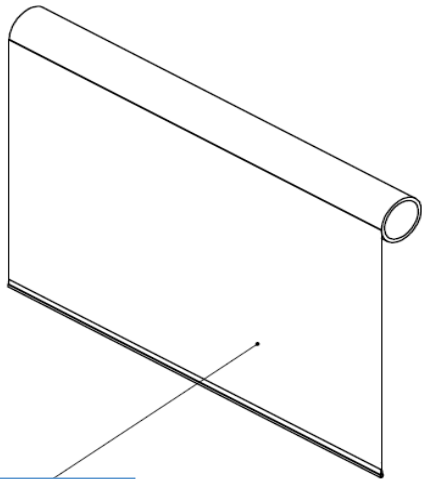
SYSTEM DIMENSIONS (IN MM - MAX AREA 9m ²)						RELIEVING ROLLER TYPE		System width (SW) System draw (SD) Curved glazing (example)					
POS	QTY	(max 4000 mm) WIDTH (SW)	5000mm DRAW (SD)	(min 275 mm) HEM BAR (HW)	Triangle orientation A or B	ROLLER FIXING	RETURN PULLEY		(Flat glazing or SW <3m) ø50mm	(Curved glazing or SW >3m) ø70mm	Qty of relieving rollers per system	Fixing type TOP SIDE	
1						Universal bracket for top and back fix	Double or triple Pivoting Return Pulley depending on hem bar width Order L-shape angle to allow top fix						
2													
3													
4													
5													
6													
7													
8													
9													
10													
11													
12													
TOTAL													

POWDER COATING OPTIONS					MOTOR CONTROL			TOP FIX RETURN PULLEY FIXING ANGLES					
REF	RAL 9016 30% (traffic white matt = standard)				All radio transmitters below are battery powered			REF	4159 L-shape angle (for double pulley), 102x50mm		REF	4165 L-shape angle (for triple pulley), 102x50mm	
3075	Other RAL, specify below (surcharge)				REF	RADIO TRANSMITTERS		QTY	Triple return pulley (for HW=275mm only)				
3066	RAL		GLOSS LEVEL		7349	1 channel (hand held)			Double return pulley (for HW>275mm)				
		30% matt	70% satin	90% gloss	7350	4+1 channel (hand held)							
					7351	16 channel (hand held)							
					7352	1 channel (wall mounted)							

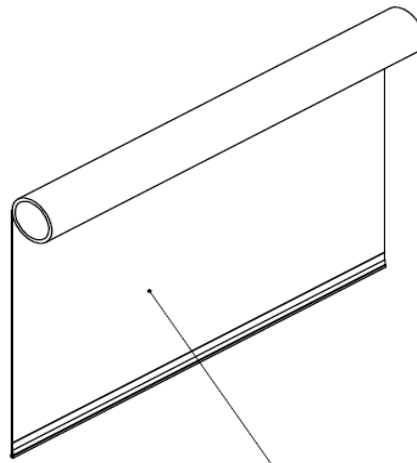
MOTOR VOLTAGE OPTIONS			ACCESSORIES			HEM BAR FINISHING STRIP						
REF	Standard motor voltage: 230V AC/50 Hz		REF	3522 Hirschmann plug		REF	7390 White		REF	8289 Black		None
	Special motor voltage: 110V AC/60 Hz		FORM COMPLETED BY			REGISTERED INSTALLER			DATE			
3079	Special motor voltage: 24V DC (24V DC motors incur a surcharge)											PRINT NAME

TESS™ 101 FABRIC ORDER FORM

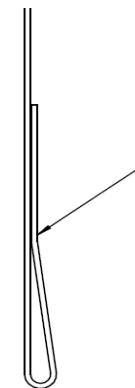
FABRIC SUPPLIED AND FITTED BY GUTHRIE DOUGLAS		OTHER FABRIC SUPPLY OPTIONS	
Fabric type		Supplied by customer, Guthrie Douglas to fit (surcharge)	
Colour code*		No fabric	
*Please refer to the Guthrie Douglas approved fabrics colour chart www.guthriedouglas.com/fabric-choices		Supply notes for all system fabrics <ul style="list-style-type: none"> Depending on the system width mid welds may be present parallel to the fabric roller. The position of the welds or their orientation cannot be guaranteed. 	Additional notes for supply of non-rectangular system fabric <ul style="list-style-type: none"> Approved fabrics for Non-Rectangular Systems vertical barrel installation: Soltis 86 and 92 only. Stiffening battens to be fitted parallel to the fabric roller approx. every 1m of draw.



SIDE A	
Colour	



SIDE B	
Colour	



POCKET WELD TO BE ON	
	Side A
	Side B