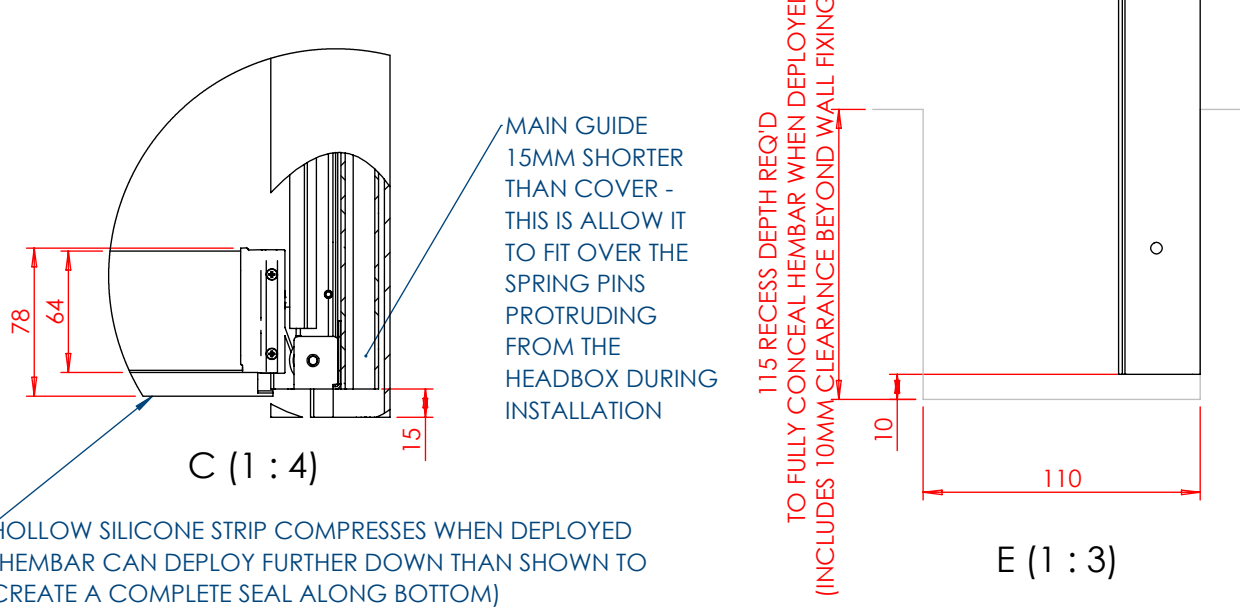
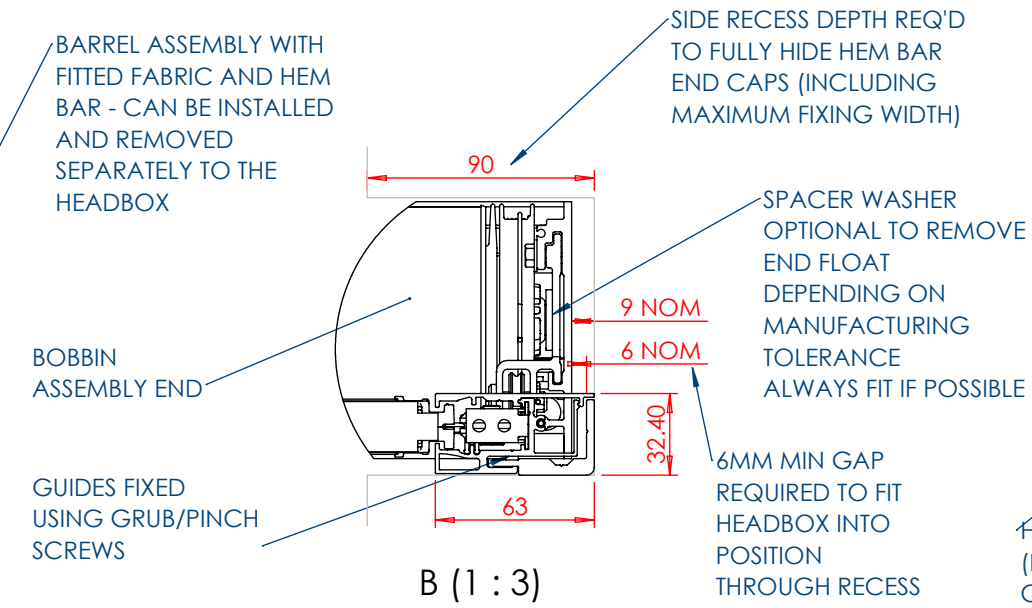
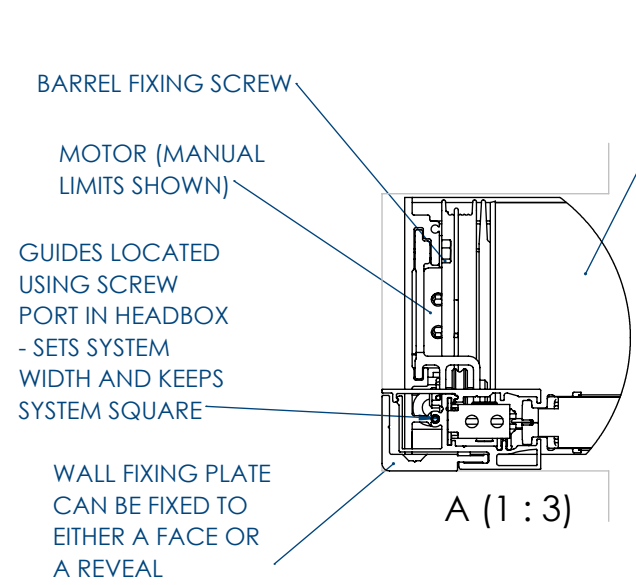
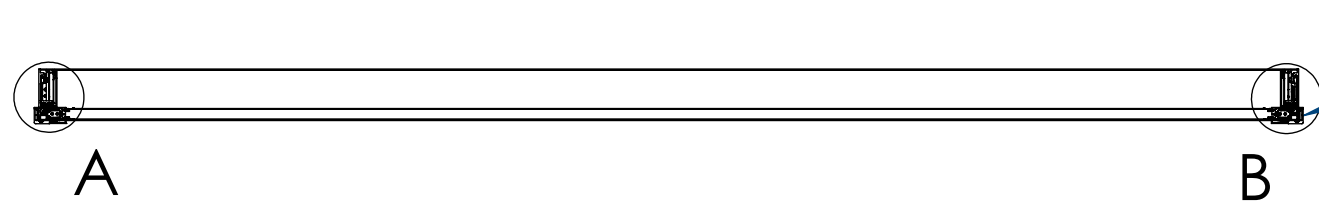
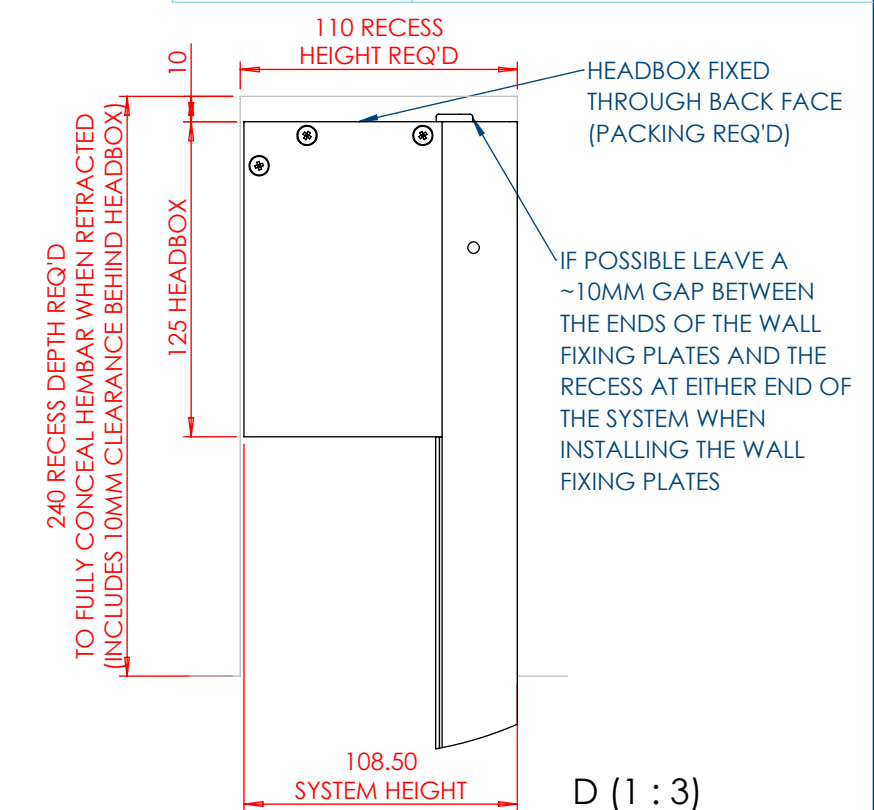
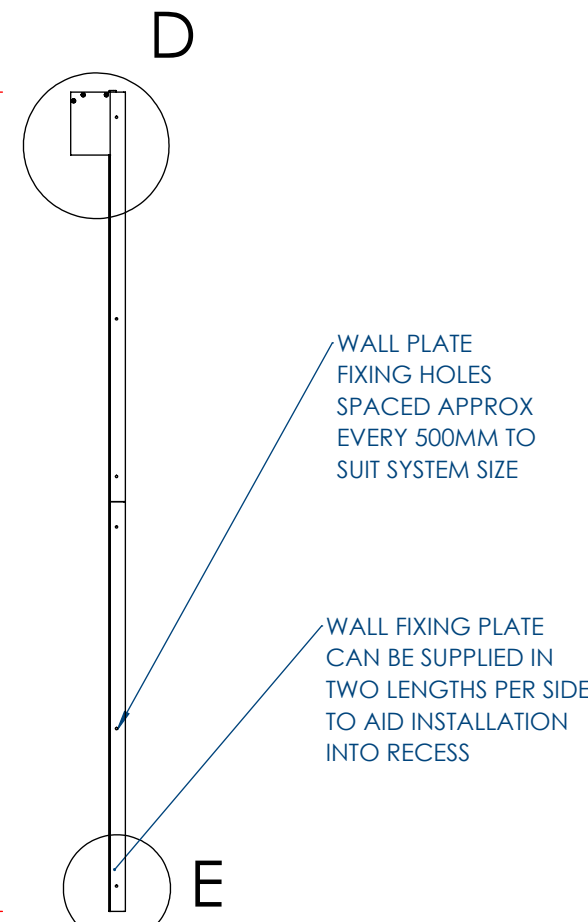
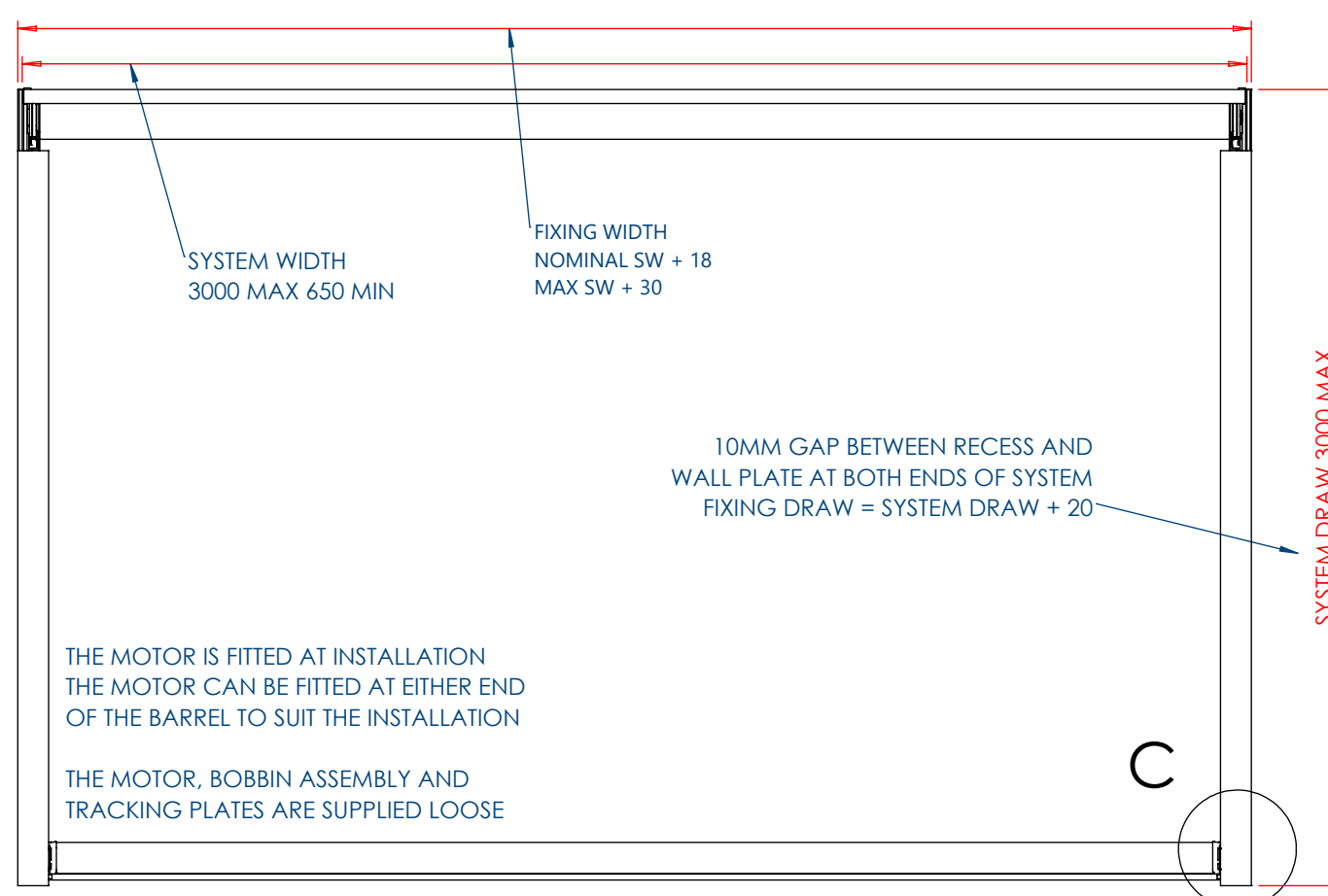


PRODUCTION	APPROVED FOR PRODUCTION
PURCHASING	APPROVED FOR PURCHASING
SALES	FOR INFORMATION ONLY
MARKETING	FOR INFORMATION ONLY



THIRD ANGLE PROJECTION	
REMOVE ALL SHARP EDGES	
IF IN DOUBT ASK	DO NOT SCALE
GENERAL TOLERANCES TO ISO2768-m	
ALL DIMNS.IN mm	DRAWN TO BS308

This drawing is copyright and the exclusive property of GUTHRIE DOUGLAS GROUP LTD and must not be copied, used or exhibited without prior written consent.

Guthrie Douglas

12 Heathcote Way, Heathcote Industrial Estate,
Warwick CV34 6TE, UK
Tel : (01926) 310850 Fax : (01926) 832914

Customer		
Material	Scale	Size
Surface Finish	1:15	A3
	Special	

TESS 660

INSTALLATION DRAWING

RECESS FIXING SINGLE SYSTEM

Product Group		Item No.	
SOLAR		N/A	
Drawn	Date	Checked	Date
hannah.southan	05-11-2018	Hannah.Southan	13-05-2019
DRG.NO:			
GDP25432		/ 02	
SHEET 1 OF 1 SHEETS			