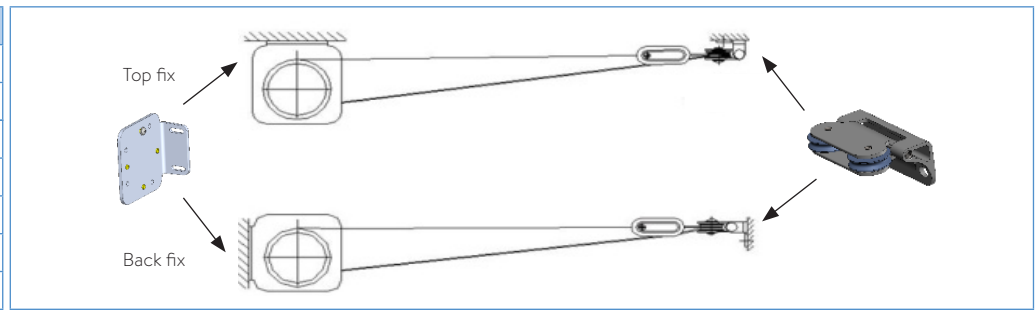


TESS™ 100 ORDER FORM

YOUR DETAILS				DELIVERY DETAILS (Standard lead time 4-6 weeks)			
Company		Contact		Required delivery date			
Email		Phone		Delivery address			
Address		Order no.		Delivery options			
		Quote no.			Customer to collect (ExWorks)	GD to deliver (DAP - surcharge)	
		Project					

SYSTEM DIMENSIONS (IN MM - MAX AREA 16m²)				ROLLER FIXING			RETURN PULLEY	RELIEVING ROLLER TYPE				MOTOR SIDE		System width (SW) System draw (SD) Curved glazing (example)	
POS	QTY	(max 4000 mm)	(max 6500 mm)	UNIVERSAL BRACKET				Fixing type	TOP		SIDE		STD		OPH
		WIDTH (SW)	DRAW (SD)	TOP	BACK	SIDE FIX			TOP	SIDE					
1							Double Pivoting Return Pulley								
2															
3															
4															
5															
6															
7															
8															
9															
10															
11															
12															
TOTAL															

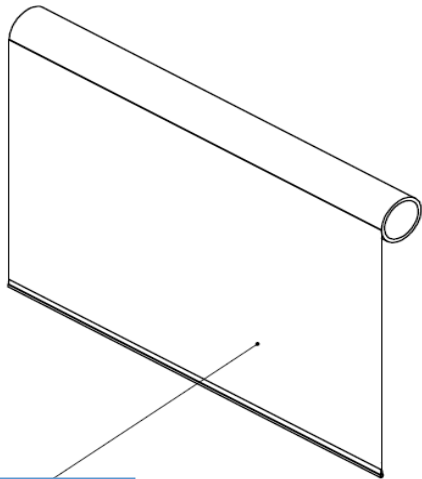
POWDER COATING OPTIONS					MOTOR CONTROL		
REF					All radio transmitters below are battery powered		
	RAL 9016 30% (traffic white matt = standard)				Hard Wired	Radio	
3075	Other RAL, specify below (surcharge)				REF	RADIO TRANSMITTERS	QTY
3066	RAL	GLOSS LEVEL			7349	1 channel (hand held)	
		30% matt	70% satin	90% gloss	7350	4+1 channel (hand held)	
					7351	16 channel (hand held)	
					7352	1 channel (wall mounted)	



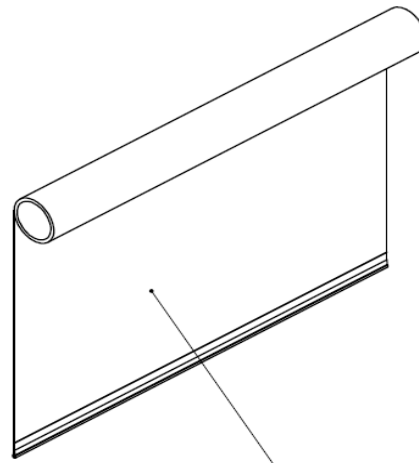
MOTOR VOLTAGE OPTIONS			ACCESSORIES		HEM BAR FINISHING STRIP			HEM BAR END CAP	
REF			REF						
	Standard motor voltage: 230V AC/50 Hz		3522	Hirschmann plug	White	Black	None	White	Black
	Special motor voltage: 110V AC/60 Hz		FORM COMPLETED BY:						
3079	Special motor voltage: 24V DC (24V DC motors incur a surcharge)								
			PRINT NAME		SIGNATURE		REGISTERED INSTALLER		DATE

TESS™ 100 FABRIC ORDER FORM

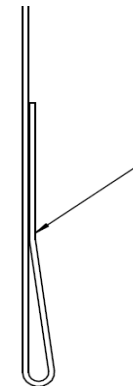
FABRIC SUPPLIED AND FITTED BY GUTHRIE DOUGLAS		OTHER FABRIC SUPPLY OPTIONS	
Fabric type		Supplied by customer, Guthrie Douglas to fit (surcharge)	
Colour code*		No fabric	
*Please refer to the Guthrie Douglas approved fabrics colour chart www.guthriedouglas.com/fabric-choices		Supply notes for all system fabrics <ul style="list-style-type: none"> Depending on the system width mid welds may be present parallel to the fabric roller. The position of the welds or their orientation cannot be guaranteed. 	



SIDE A	
Colour	



SIDE B	
Colour	



POCKET WELD TO BE ON	
	Side A
	Side B

