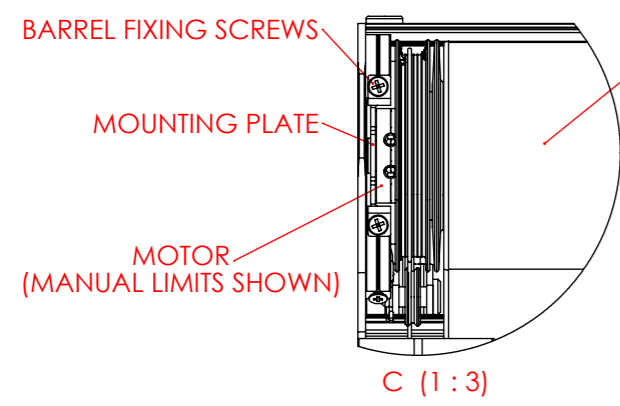
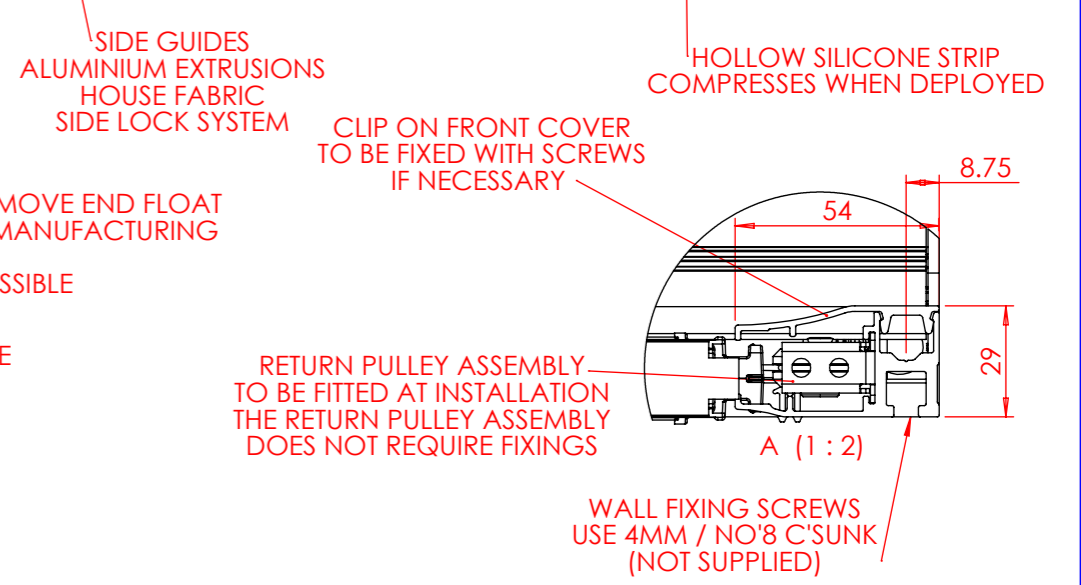
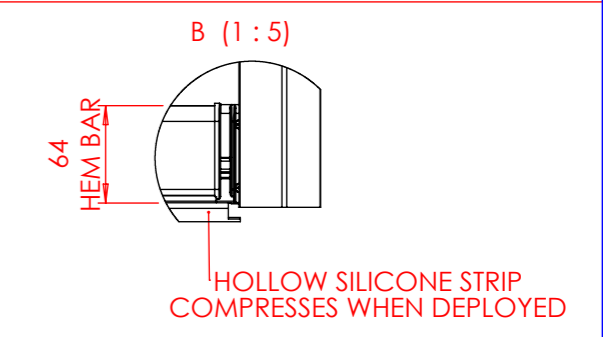
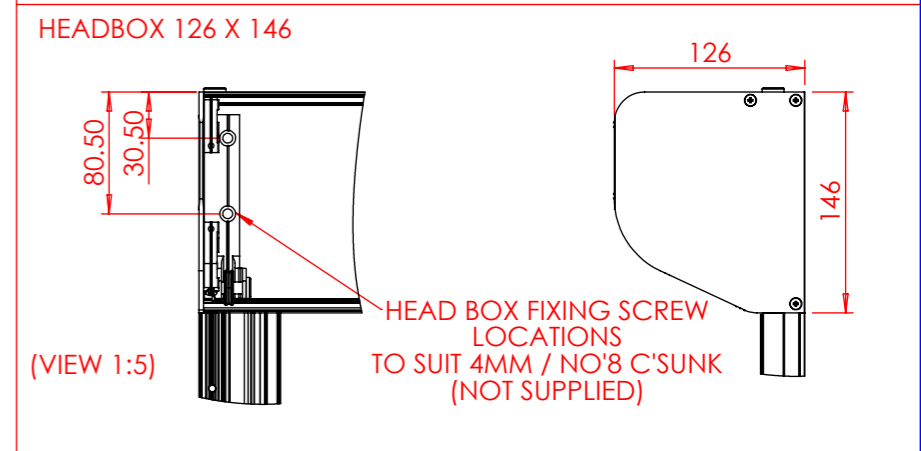
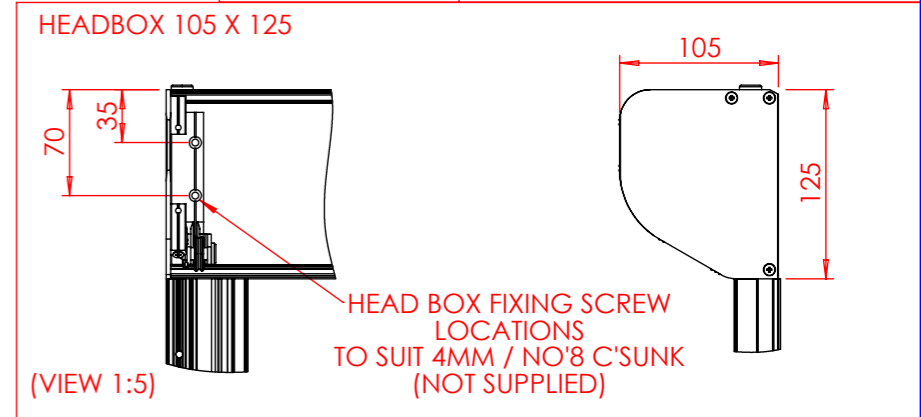
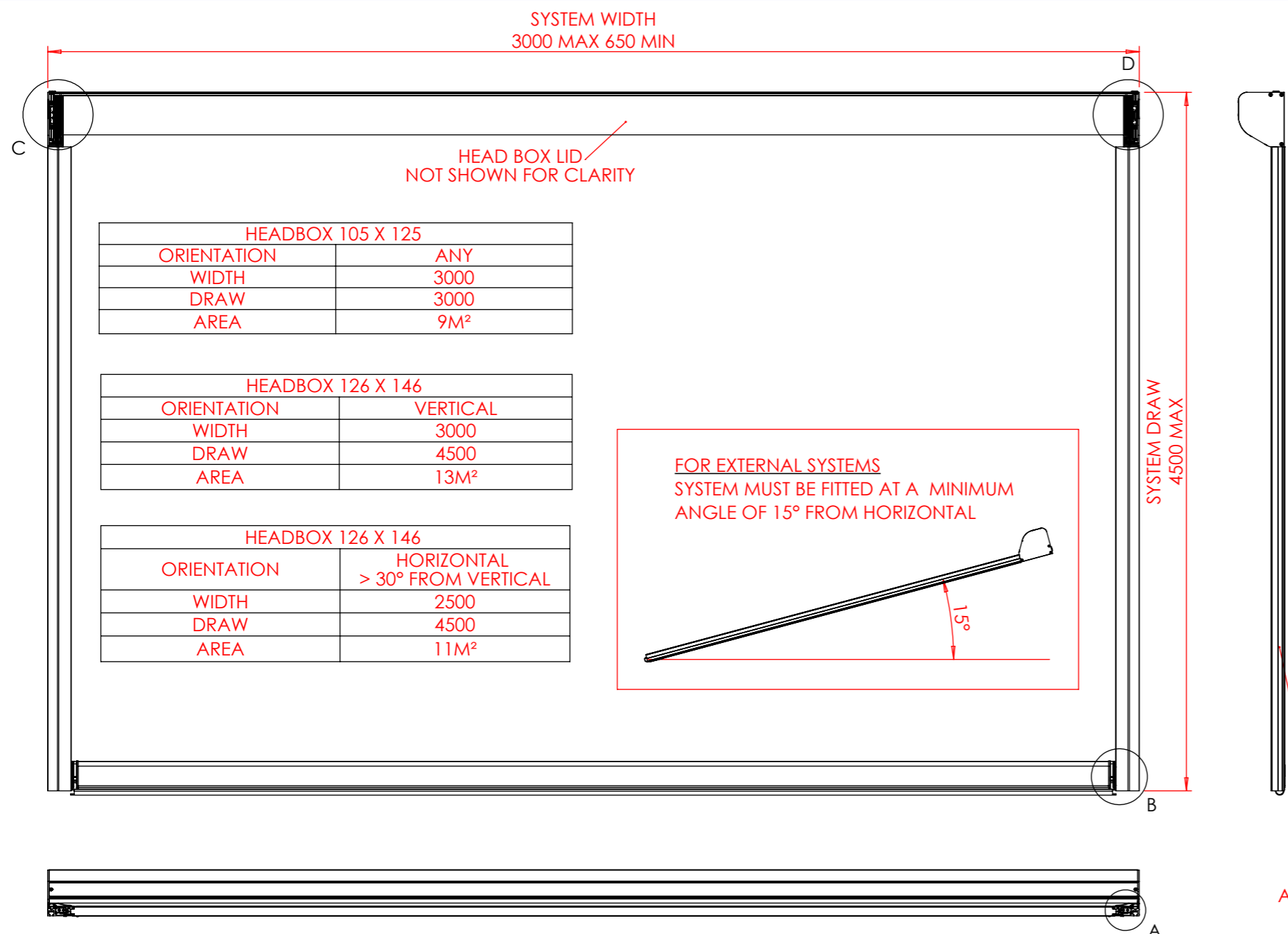


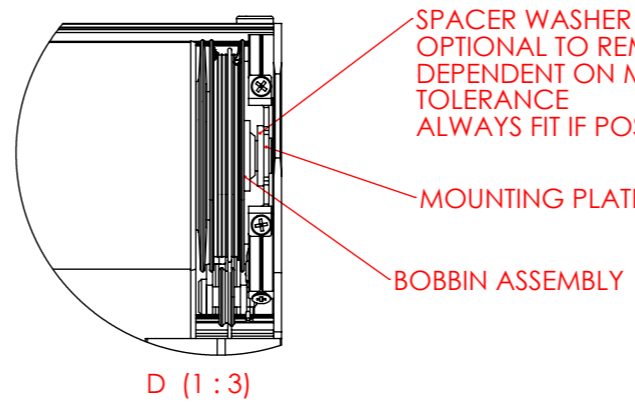
PRODUCTION	APPROVED FOR PRODUCTION
PURCHASING	APPROVED FOR PURCHASING
SALES	FOR INFORMATION ONLY
MARKETING	FOR INFORMATION ONLY



BARREL ASSEMBLY
WITH FITTED FABRIC AND HEM BAR

THE MOTOR IS FITTED AT INSTALLATION
THE MOTOR CAN BE FITTED AT EITHER END
OF THE BARREL TO SUIT INSTALLATION

THE MOTOR, BOBBIN ASSEMBLY AND
MOUNTING PLATES ARE SUPPLIED LOOSE



THIRD ANGLE PROJECTION

REMOVE ALL SHARP EDGES

IF IN DOUBT ASK	DO NOT SCALE
GENERAL TOLERANCES TO ISO2768-m	
ALL DIMNS.IN mm	DRAWN TO BS308

This drawing is copyright and the exclusive property of GUTHRIE DOUGLAS GROUP LTD., and must not be copied, used or exhibited without prior written consent.

Guthrie Douglas

12 Heathcote Way, Heathcote Industrial Estate,
Warwick CV34 6TE, UK
Tel : (01926) 310850 Fax : (01926) 832914

Customer			
Material	Scale	Size	
	1:12	A3	
Surface Finish	Special		

TESS 660

INSTALLATION DRAWING

FACE FIXING SYSTEM

Product Group	SOLAR		Item No.	N/A
Drawn	Date	Checked	Date	
Julian.Harding	19-03-2012	ashley.smith	31-03-2016	
DRG.NO:	GDP23853 / 04			
SHEET 1 OF 1 SHEETS				