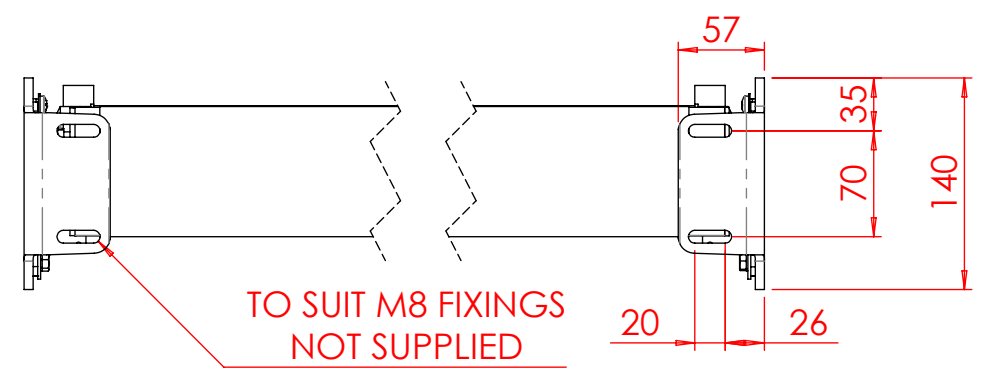
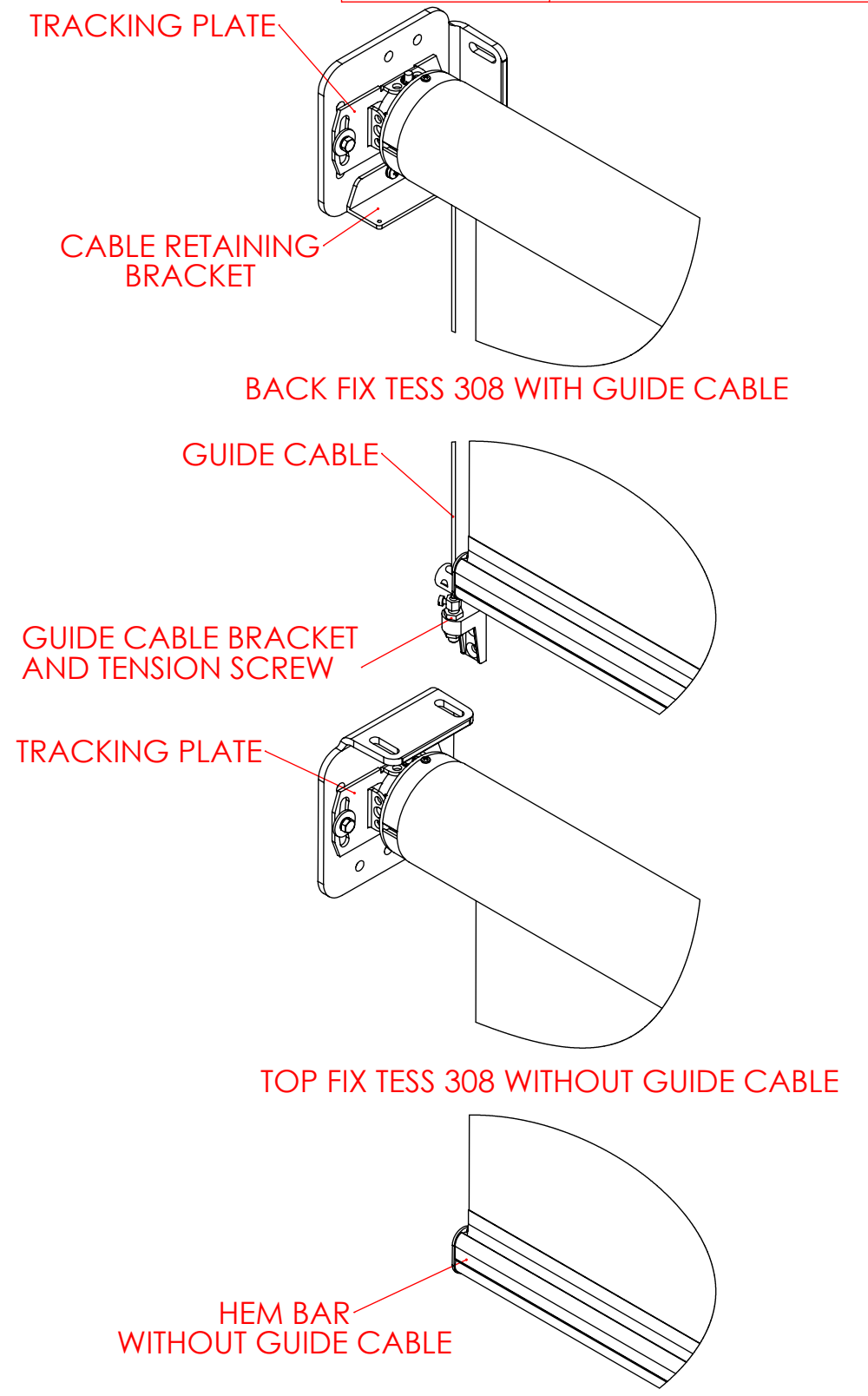
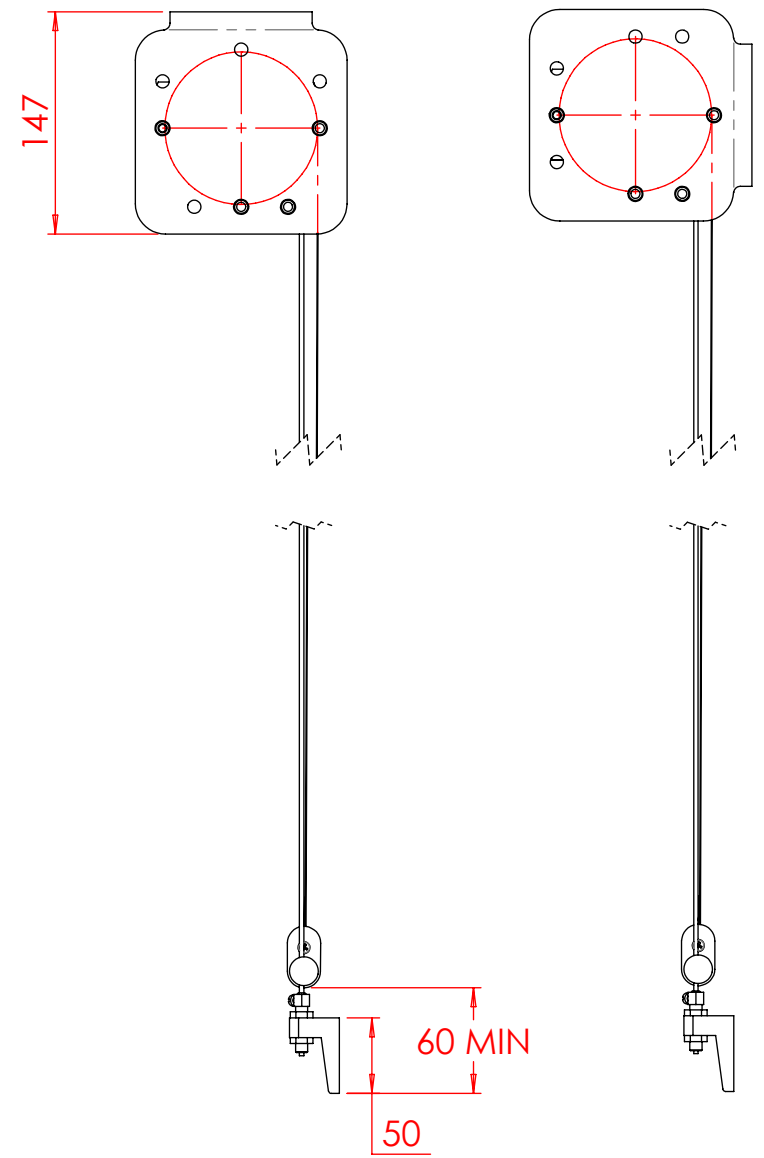
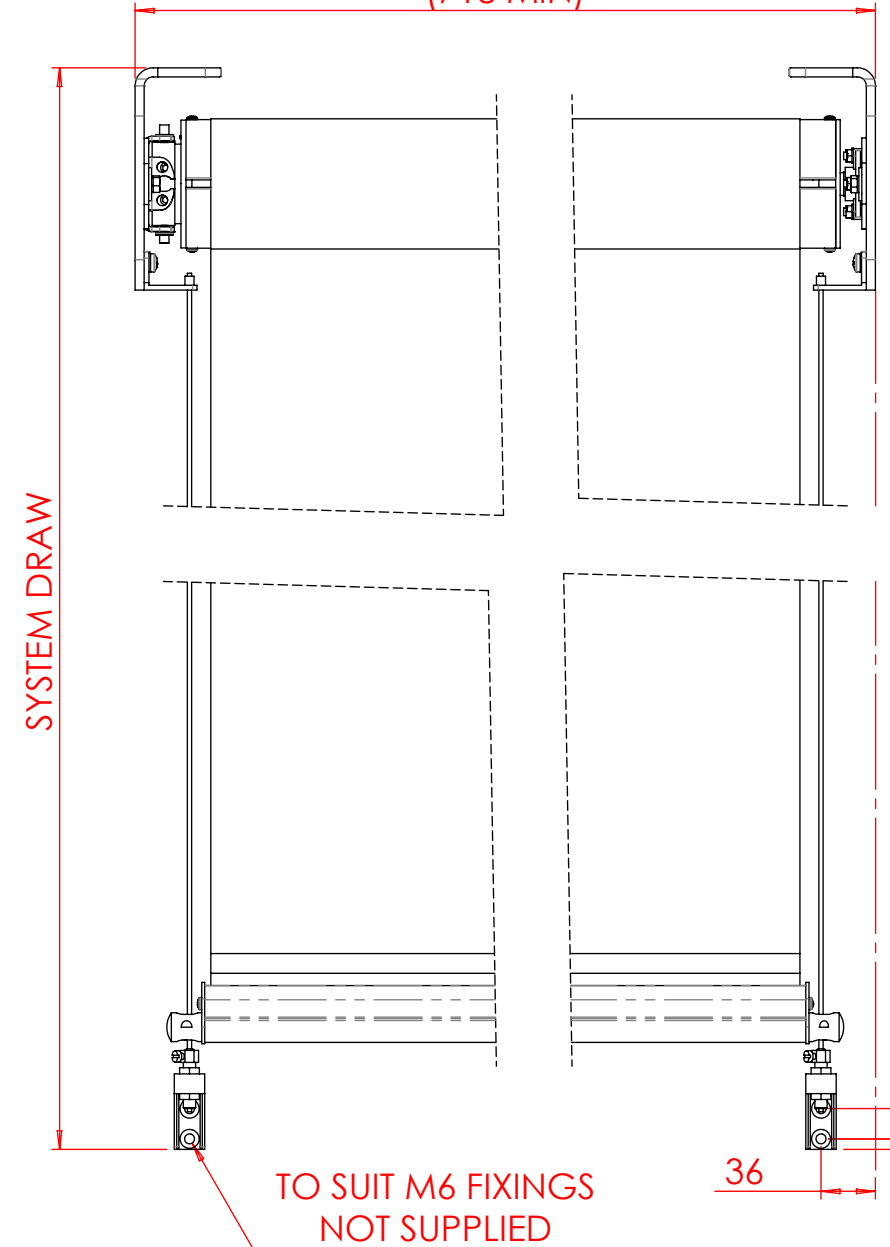
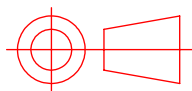


PRODUCTION	APPROVED FOR PRODUCTION
PURCHASING	APPROVED FOR PURCHASING
SALES	FOR INFORMATION ONLY
MARKETING	FOR INFORMATION ONLY



SYSTEM WIDTH +/- 2MM  
(718 MIN)



THIRD ANGLE PROJECTION 	
REMOVE ALL SHARP EDGES	
IF IN DOUBT ASK	DO NOT SCALE
GENERAL TOLERANCES TO ISO2768-m	
ALL DIMNS.IN mm	DRAWN TO BS308

This drawing is copyright and the exclusive property of GUTHRIE DOUGLAS GROUP LTD., and must not be copied, used or exhibited without prior written consent.

**Guthrie Douglas**

12 Heathcote Way, Heathcote Industrial Estate,  
Warwick CV34 6TE, UK  
Tel : (01926) 310850 Fax : (01926) 832914

Customer		
Material	Scale 1:2	Size A3
Surface Finish	Special	

TESS 308

INSTALLATION DRAWING

Product Group <b>SOLAR</b>	Item No. <b>N/A</b>		
Drawn julian.harding	Date 05-12-2014	Checked julian.harding	Date 05-12-2014
DRG.NO: <b>GDP11308 / 03</b>		SHEET 1 OF 1 SHEETS	