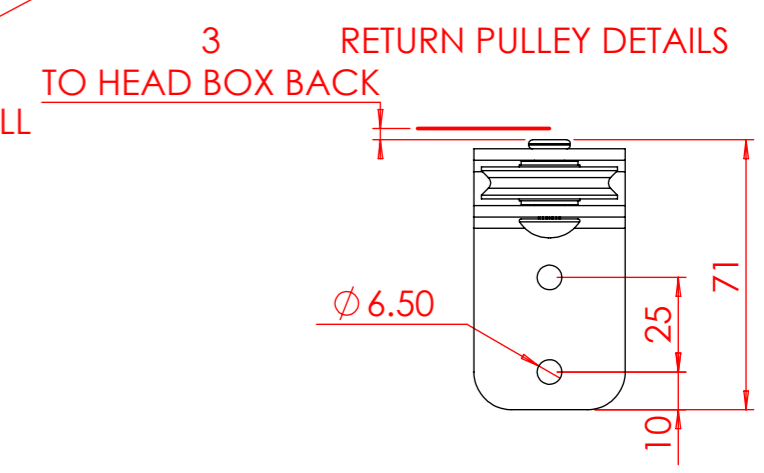
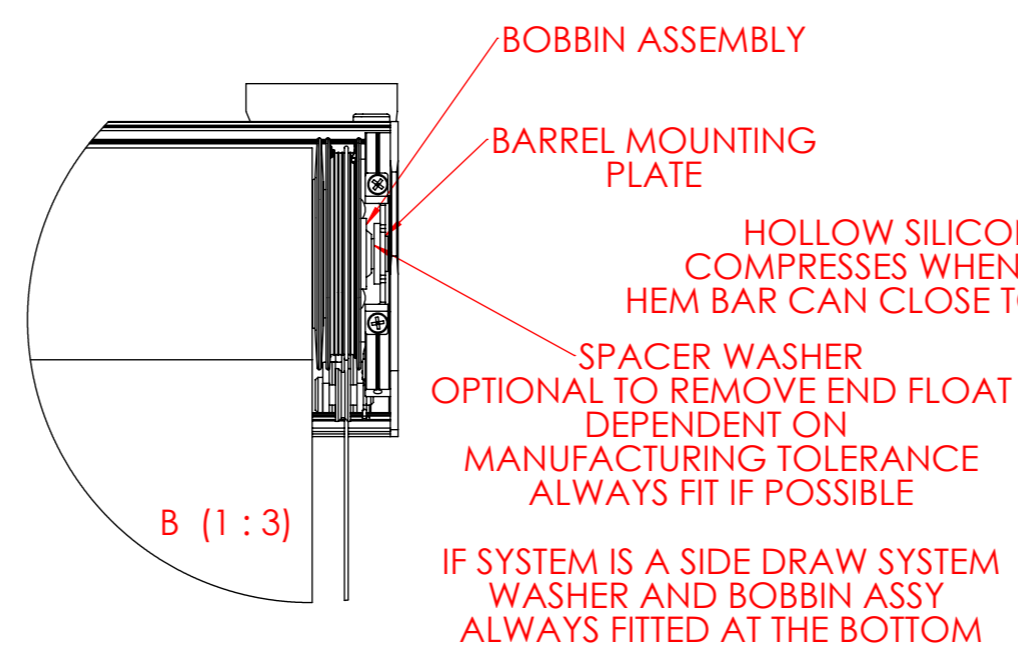
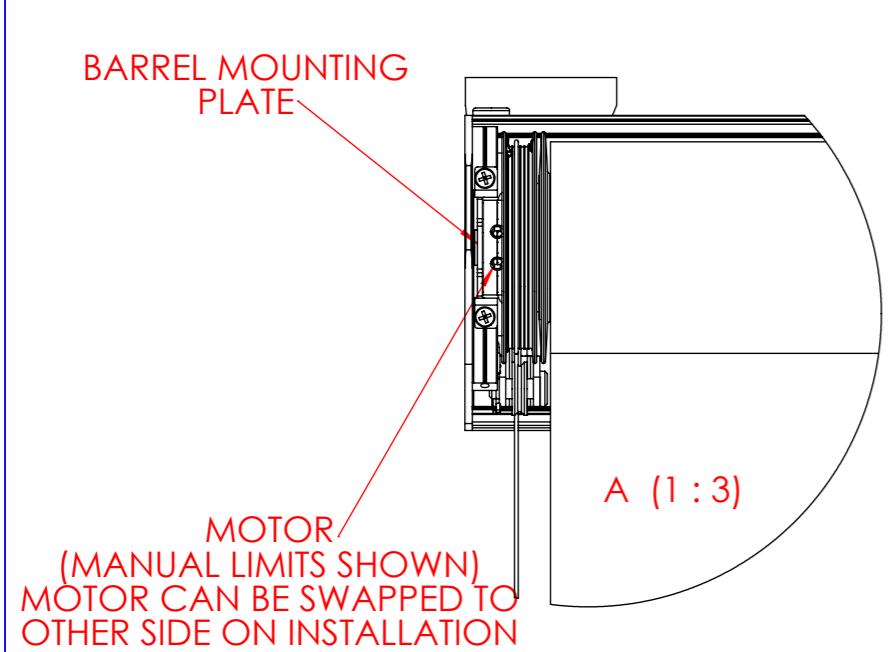
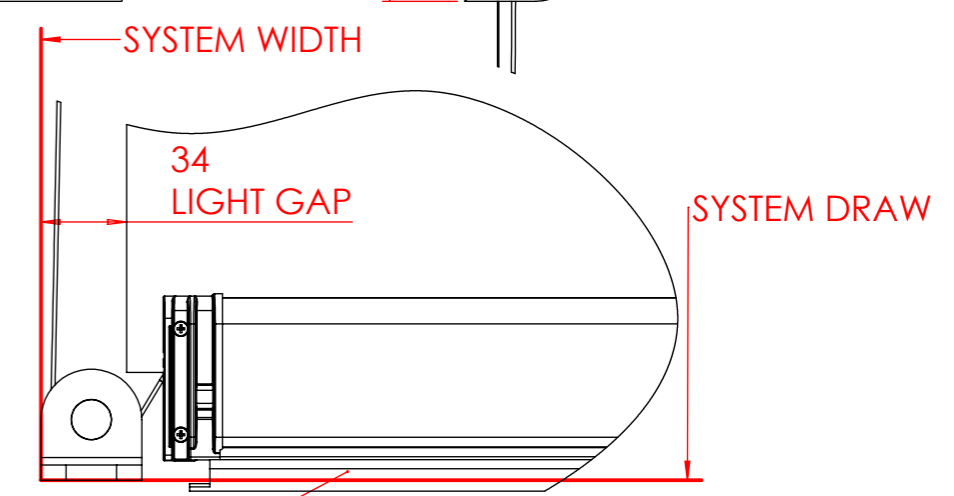
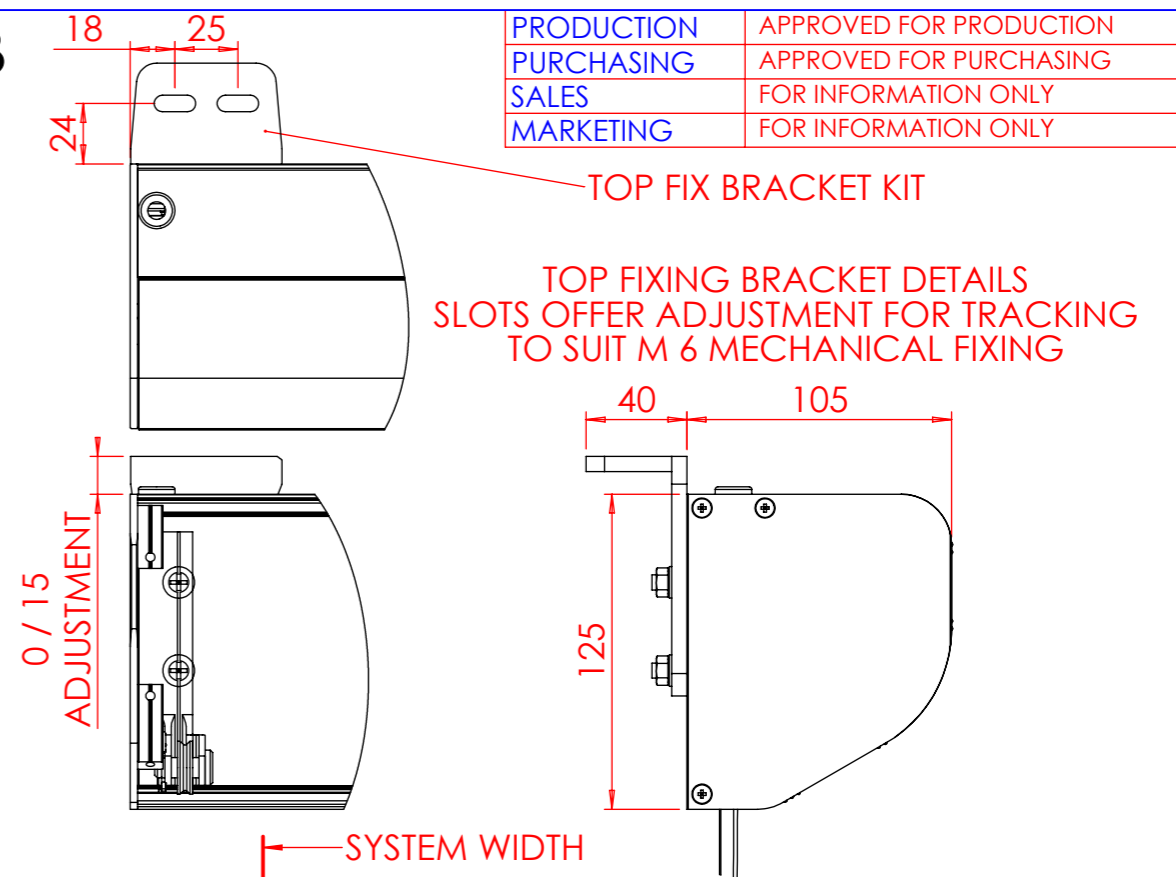


PRODUCTION	APPROVED FOR PRODUCTION
PURCHASING	APPROVED FOR PURCHASING
SALES	FOR INFORMATION ONLY
MARKETING	FOR INFORMATION ONLY



THIRD ANGLE PROJECTION	This drawing is copyright and the exclusive property of GUTHRIE DOUGLAS GROUP LTD., and must not be copied, used or exhibited without prior written consent.	Customer		TESS 600	Product Group		Item No.		
					SOLAR			N/A	
REMOVE ALL SHARP EDGES	Guthrie Douglas 12 Heathcote Way, Heathcote Industrial Estate, Warwick CV34 6TE, UK Tel : (01926) 310850 Fax : (01926) 832914	Material	Scale	Size	TOP FIXING	Drawn	Date	Checked	Date
IF IN DOUBT ASK			1:12	A3	INSTALLATION DRAWING	Julian.Harding	22-02-2013	Ashley.Smith	04-08-2014
GENERAL TOLERANCES TO ISO2768-m		Surface Finish	Special			DRG.NO:	GDP24237 / 01		
ALL DIMNS.IN mm		DRAWN TO BS308				SHEET 1 OF 1 SHEETS			