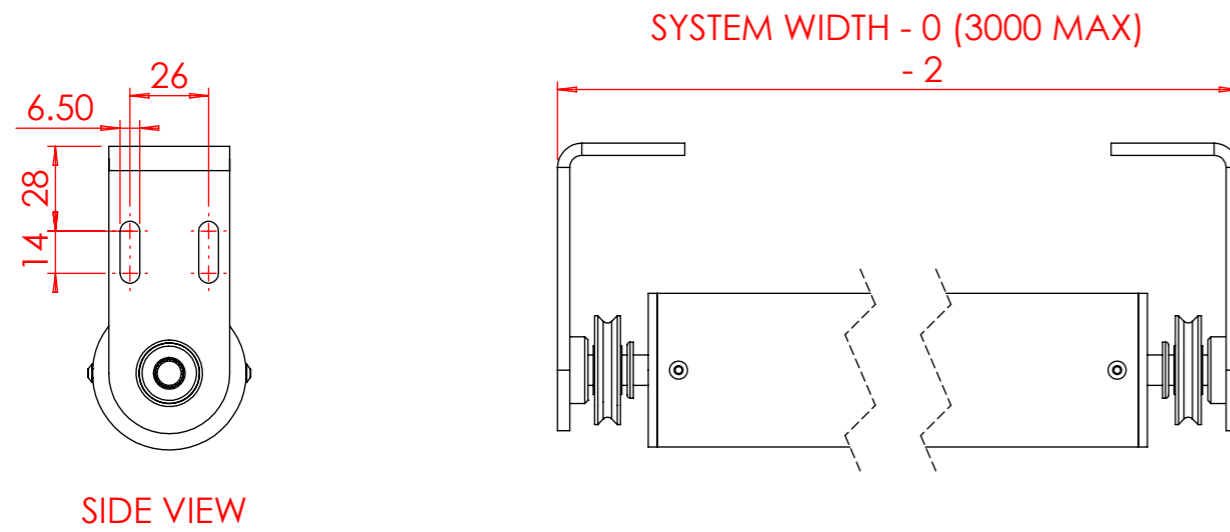
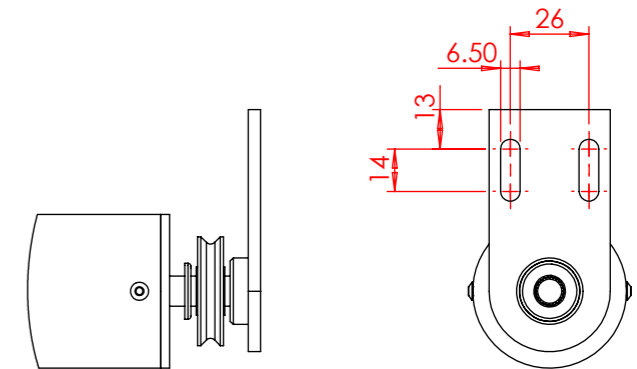


PRODUCTION	APPROVED FOR PRODUCTION
PURCHASING	APPROVED FOR PURCHASING
SALES	NO
MARKETING	NO

TOP FIX BRACKET
FOR CURVED TYPE SYSTEMS USE RELIEVING ROLLER WITH PULLEY.

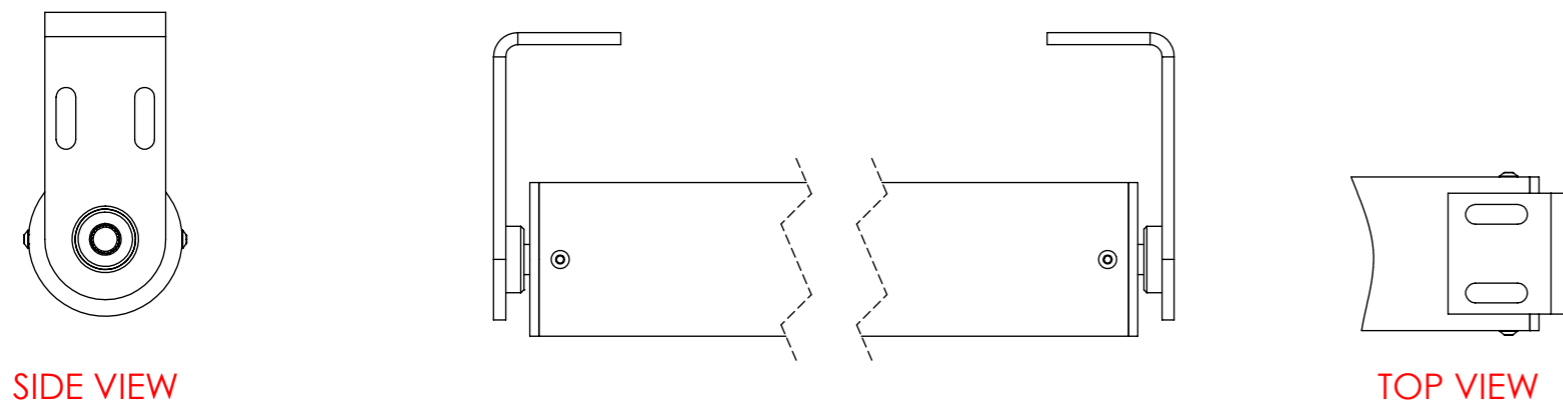


SIDE FIX BRACKET
FOR CURVED TYPE SYSTEMS
USE RELIEVING ROLLER WITH PULLEY

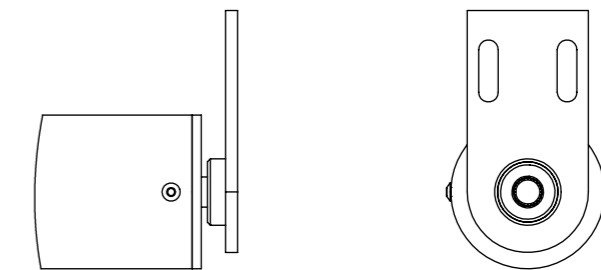


DIMENSIONS STATED IN IMAGES ABOVE ARE EQUIVELENT TO IMAGES BELOW

TOP FIX BRACKET
FOR HORIZONTAL TYPE SYSTEMS USE RELIEVING ROLLER WITHOUT PULLEY

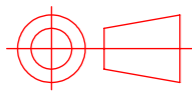


SIDE FIX BRACKET
FOR HORIZONTAL TYPE SYSTEMS
USE RELIEVING ROLLER WITHOUT PULLEY



RELIEVING ROLLERS TO BE USED WHEN SYSTEM IS 3M AND ABOVE RELIEVING ROLLER TO BE USED WITH CURVED/ NON LINEAR SYSTEMS.

EVENLY SPACE RELIEVING ROLLERS ALONG HORIZONTAL SYSTEMS.

THIRD ANGLE PROJECTION 	This drawing is copyright and the exclusive property of GUTHRIE DOUGLAS GROUP LTD., and must not be copied, used or exhibited without prior written consent.	Customer			TESS SYSTEMS Ø50MM RELIEVING ROLLER INSTALLATION	Product Group	SOLAR		Item No.	N/A
		Material	Scale	Size		Drawn	Date	Checked	Date	
REMOVE ALL SHARP EDGES	Guthrie Douglas 12 Heathcote Way, Heathcote Industrial Estate, Warwick CV34 6TE, UK Tel : (01926) 310850 Fax : (01926) 832914	Surface Finish	1:1	A3	eng.trainee	29-07-2013	Ashley.Smith	27-05-2014		
IF IN DOUBT ASK		Special		DRG.NO:		GDP24370 / 02				
DO NOT SCALE				SHEET 1 OF 1 SHEETS						
GENERAL TOLERANCES TO ISO2768-m										
ALL DIMNS.IN mm										
DRAWN TO BS308										