

IMPORTANT NOTE

BEFORE FITTING THE BARREL.

CHECK THE FIXING DISTANCE ACROSS THE SIDE FIX END PLATES AND REFER TO THE ORDER INFORMATION.

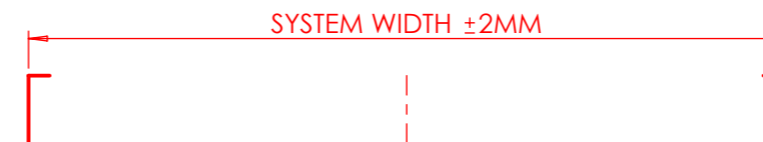
THE DISTANCE ACROSS THE OUTSIDE OF THE END PLATES (SYSTEM WIDTH) MUST BE AS PER THE ACTUAL ORDER.

THE DISTANCE ACROSS THE END PLATES **MUST NOT** BE **WIDER** THAN THE REQUESTED SIZE. **THIS IS SAFETY CRITICAL.**

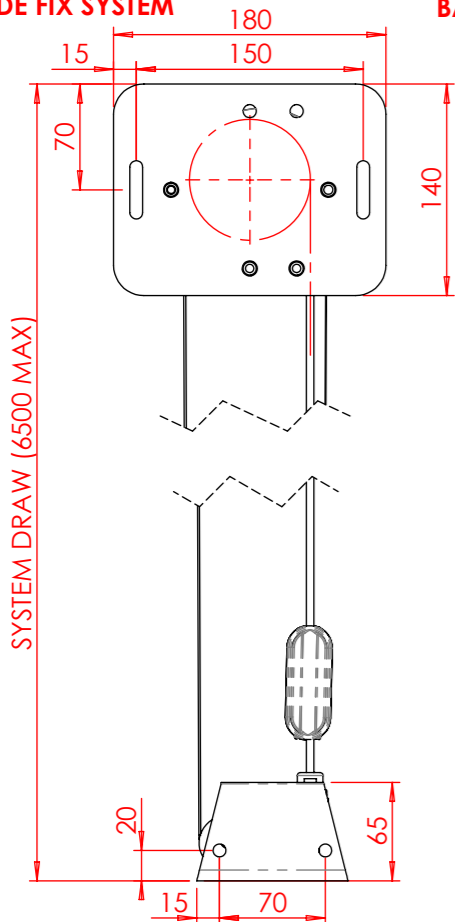
WHEN SIDE FIXING IT IS **INSTALLER RESPONSIBILITY** TO **SHIM** SIDE FIX END PLATES SO THAT **CORRECT SYSTEM WIDTH** IS ACHIEVED.

THIS IS SAFETY CRITICAL.

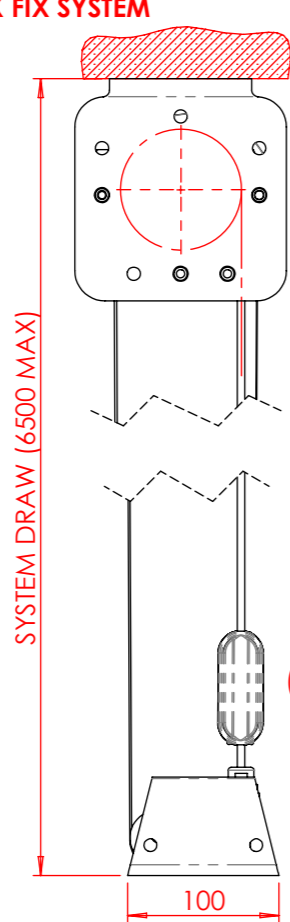
PRODUCTION	APPROVED FOR PRODUCTION
PURCHASING	APPROVED FOR PURCHASING
SALES	NO
MARKETING	NO



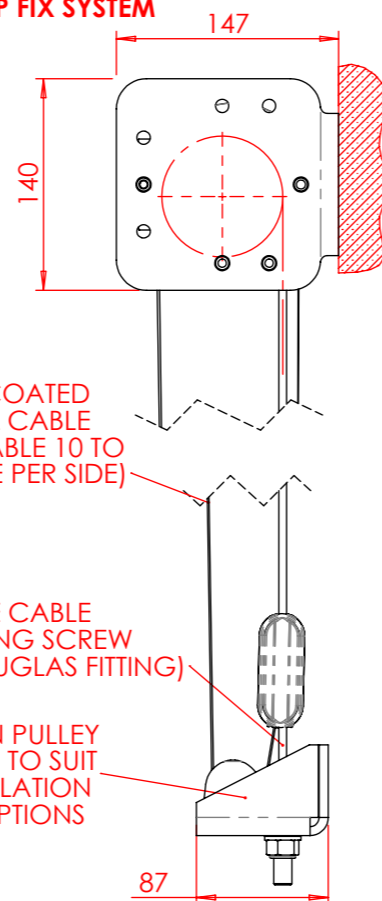
SIDE FIX SYSTEM



BACK FIX SYSTEM



TOP FIX SYSTEM

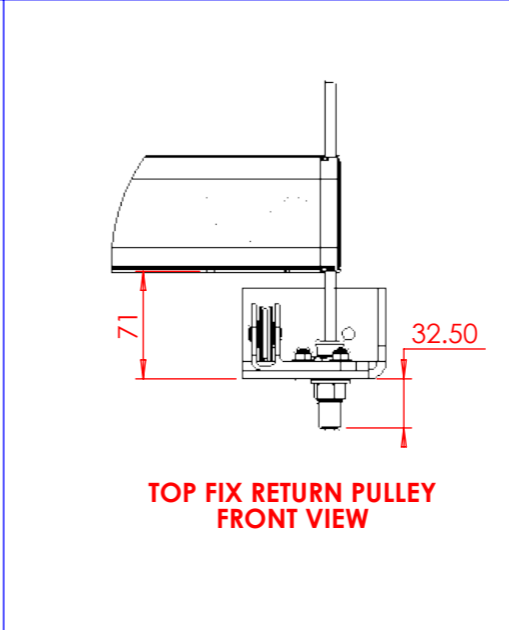
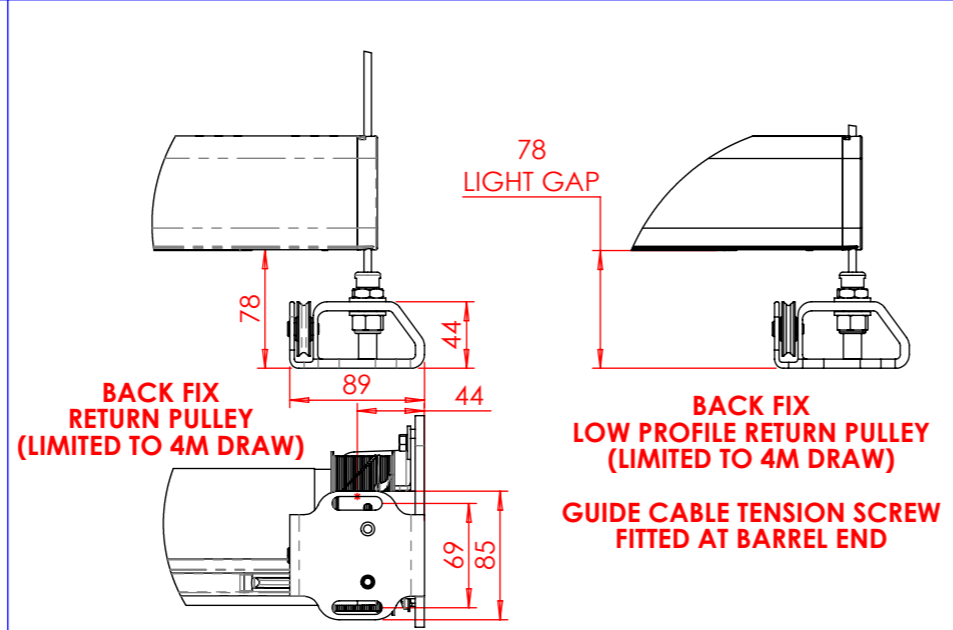
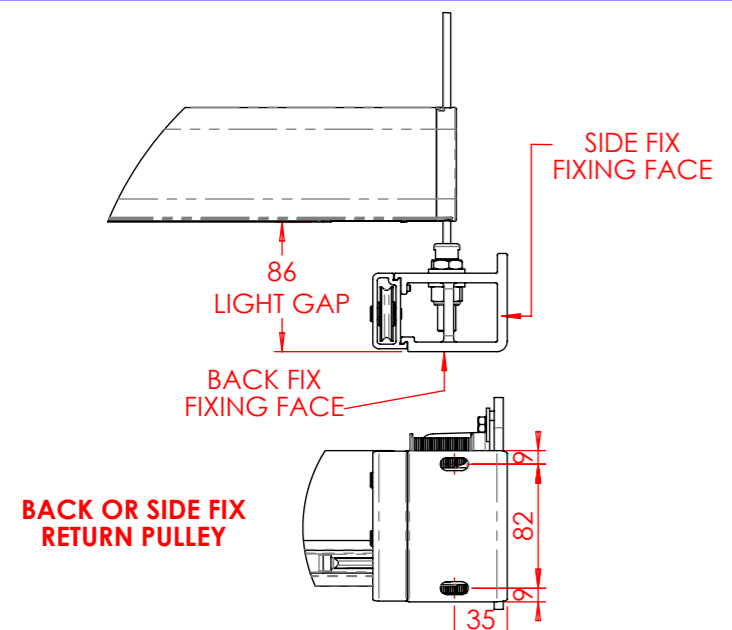
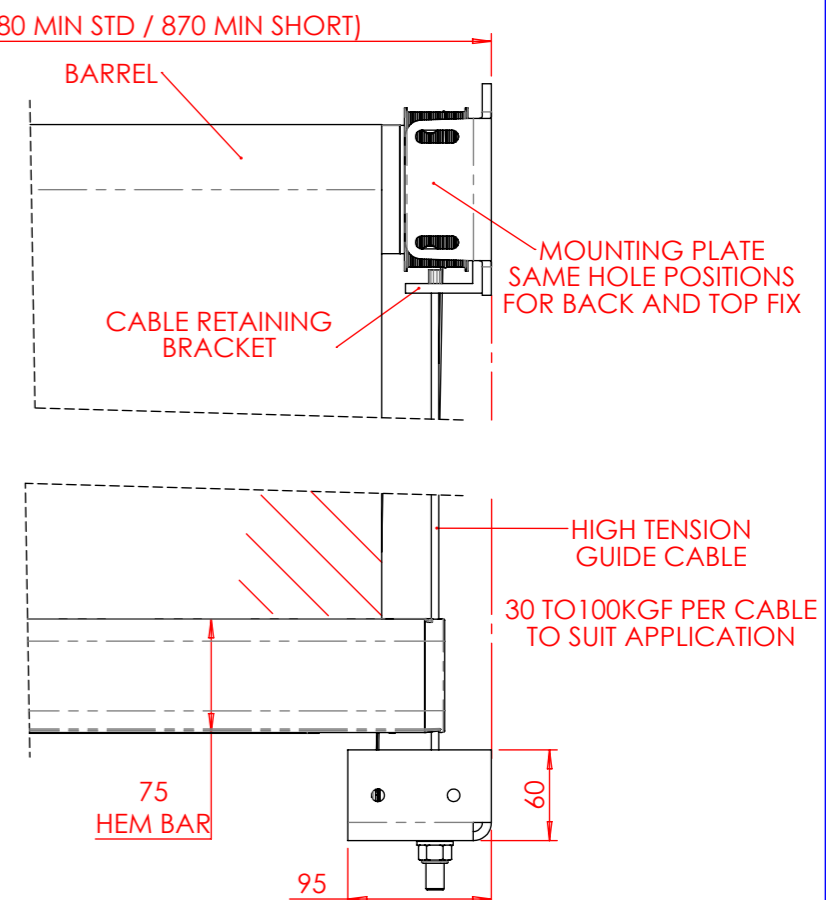
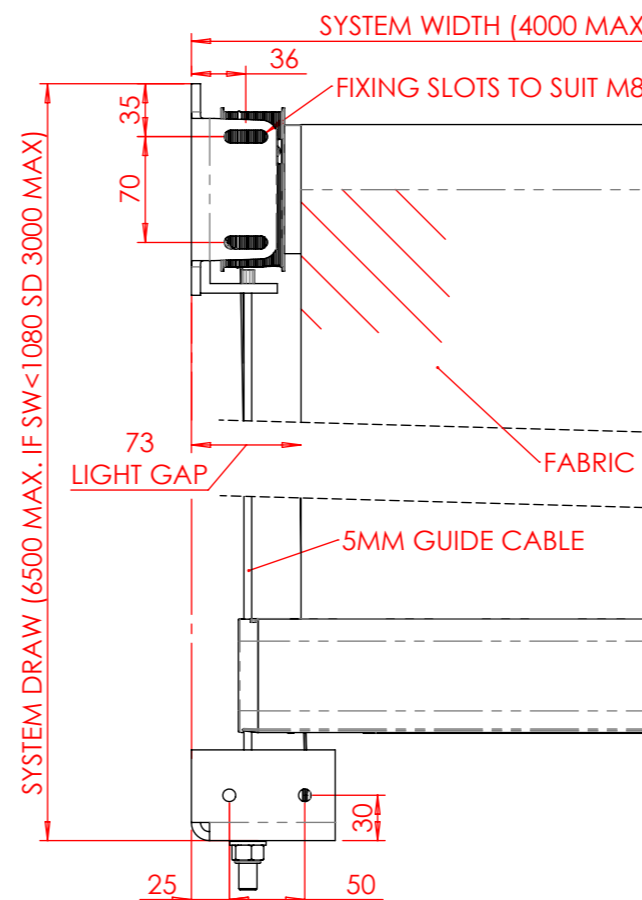


PLASTIC COATED CONTROL CABLE (TENSION CABLE 10 TO 20KGF TWICE PER SIDE)

GUIDE CABLE TENSIONING SCREW (GUTHRIE DOUGLAS FITTING)

RETURN PULLEY VARIES TO SUIT INSTALLATION SEE OPTIONS

TOP FIX SYSTEM



BARREL MOUNTING PLATES AND RETURN PULLEY STYLES CAN BE MIXED TO SUIT THE APPLICATION

THE SYSTEMS MUST BE SET OUT SQUARE AND PARALLEL

FINE TRACKING ADJUSTMENT CAN BE CARRIED OUT AFTER INSTALLATION IS COMPLETED

ALL FIXING POSITIONS ARE TO SUIT M8 FASTENERS

ALL FIXING SCREWS ARE SUPPLIED BY THE INSTALLER THEY MUST BE SUITABLE FOR THE INSTALLATION AND CAPABLE OF WITHSTANDING PULL-OUT LOADS

THE SYSTEM IS SUPPLIED AS A BARREL ASSEMBLY, MOUNTING PLATE KIT, CABLE KIT, AND RETURN PULLEY KIT

THE SYSTEM WILL BE SUPPLIED WITH A FIXING KIT, THE KIT WILL INCLUDE BARREL FIXING SCREWS, TENSIONING TOOL AND INSTALLATION MANUAL

THE SYSTEM MUST BE INSTALLED BY A COMPETENT INSTALLER FOLLOWING THE INSTALLATION MANUAL

THIRD ANGLE PROJECTION	
REMOVE ALL SHARP EDGES	
IF IN DOUBT ASK	DO NOT SCALE
GENERAL TOLERANCES TO ISO2768-m	
ALL DIMNS.IN mm	DRAWN TO BS308

This drawing is copyright and the exclusive property of GUTHRIE DOUGLAS GROUP LTD., and must not be copied, used or exhibited without prior written consent.

Guthrie Douglas

12 Heathcote Way, Heathcote Industrial Estate, Warwick CV34 6TE, UK
Tel : (01926) 310850 Fax : (01926) 832914

Customer	Scale	Size
Material	1:5	A3
Surface Finish	Special	

TESS SYSTEMS

TESS 140

INSTALLATION DRAWING

Product Group	SOLAR		Item No.	N/A
Drawn	Date	Checked	Date	
ashley.smith	27-07-2017	ashley.smith	17-08-2017	
DRG.NO:	GDP25270 / 01			
SHEET 1 OF 1 SHEETS				