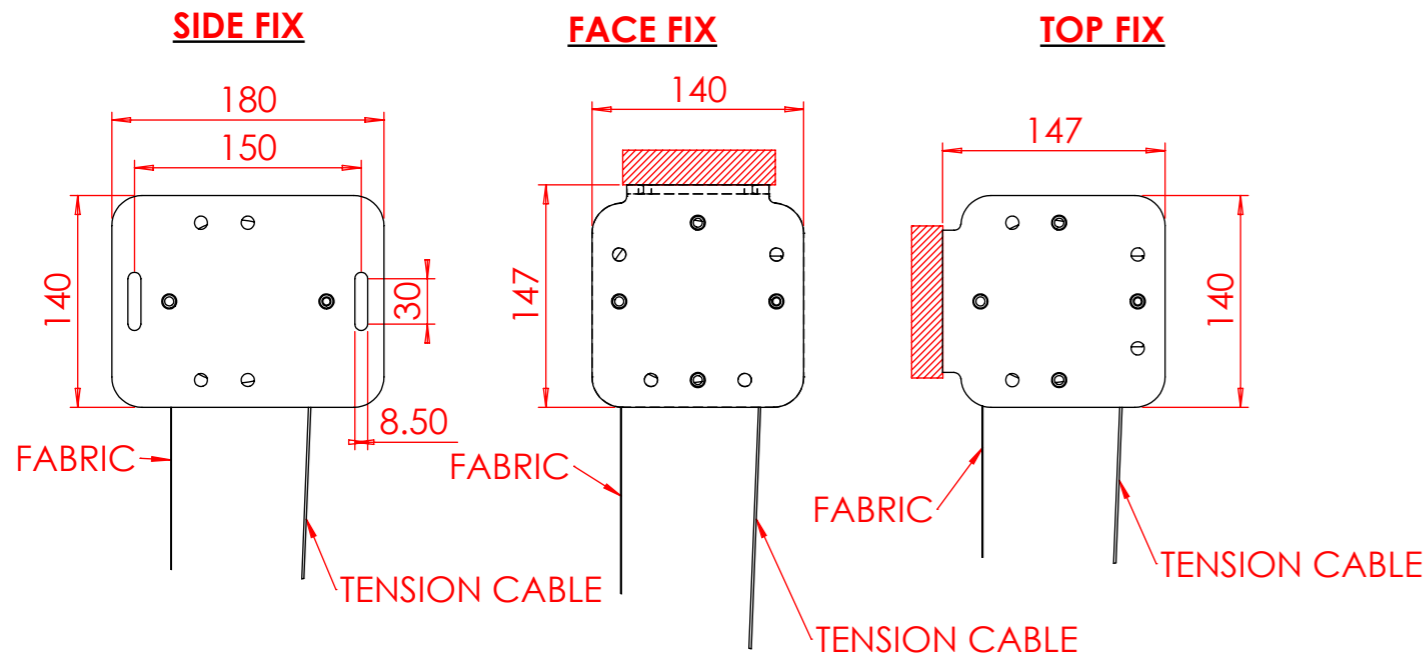
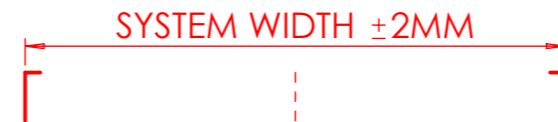
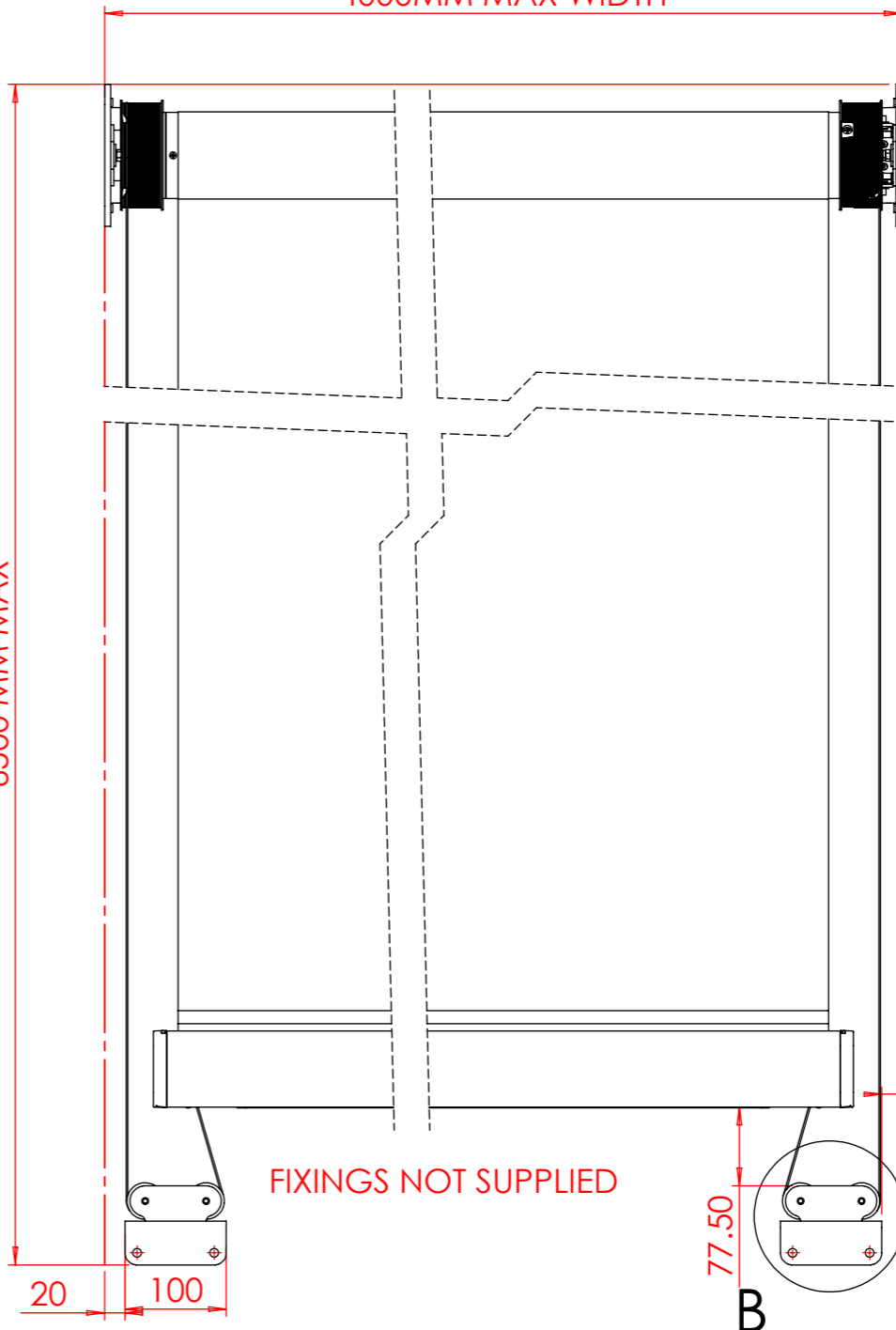
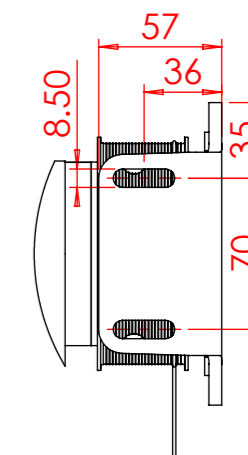


**IMPORTANT NOTE**  
**BEFORE** FITTING THE BARREL.  
**CHECK** THE FIXING DISTANCE ACROSS THE SIDE FIX END PLATES AND REFER TO THE ORDER INFORMATION.  
 THE DISTANCE ACROSS THE OUTSIDE OF THE END PLATES (SYSTEM WIDTH) MUST BE AS PER THE ACTUAL ORDER.  
 THE DISTANCE ACROSS THE END PLATES **MUST NOT** BE **WIDER** THAN THE REQUESTED SIZE. **THIS IS SAFETY CRITICAL.**  
 WHEN SIDE FIXING IT IS **INSTALLER RESPONSIBILITY** TO **SHIM** SIDE FIX END PLATES SO THAT **CORRECT SYSTEM WIDTH** IS ACHIEVED.  
**THIS IS SAFETY CRITICAL.**

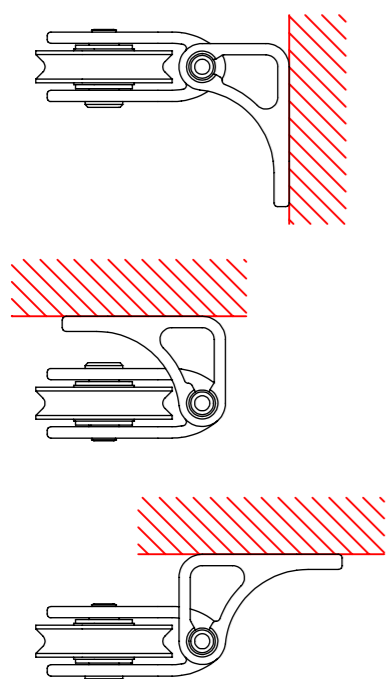
PRODUCTION	APPROVED FOR PRODUCTION
PURCHASING	APPROVED FOR PURCHASING
SALES	NO
MARKETING	NO



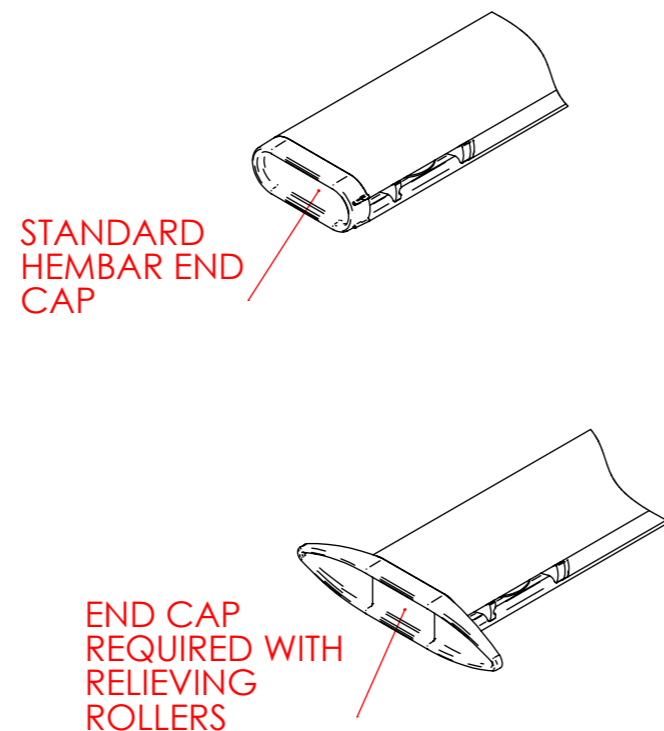
'W' ± 2 (1080 MIN - STANDARD SPRING CASSETTE)  
 (870 MIN - SHORT SPRING CASSETTE)  
 4000MM MAX WIDTH



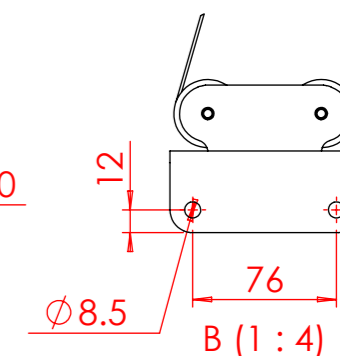
**PIVOTING RETURN PULLEY  
 POSSIBLE FIXING OPTIONS**



**HEMBAR END CAP**



NOTE  
 WHEN 'D' EXCEEDS 3 METERS  
 RELIEVING ROLLERS ARE  
 REQUIRED:  
 Ø 50MM STANDARD  
 Ø 70MM ROLLERS USED FOR  
 CURVED / PITCHED PROFILES)



THIRD ANGLE PROJECTION	
REMOVE ALL SHARP EDGES	
IF IN DOUBT ASK	DO NOT SCALE
GENERAL TOLERANCES TO ISO2768-m	
ALL DIMNS.IN mm	DRAWN TO BS308

This drawing is copyright and the exclusive property of GUTHRIE DOUGLAS GROUP LTD., and must not be copied, used or exhibited without prior written consent.

**Guthrie Douglas**

12 Heathcote Way, Heathcote Industrial Estate,  
 Warwick CV34 6TE, UK  
 Tel : (01926) 310850 Fax : (01926) 832914

Customer			
Material	Scale	Size	
	1:7	A3	
Surface Finish	Special		

TESS SYSTEMS

TESS 100

INSTALLATION DRAWING

Product Group	SOLAR		Item No.	N/A
Drawn	Date	Checked	Date	
ashley.smith	28-07-2017	ashley.smith	17-08-2017	
DRG.NO:	GDP25273 / 01			
SHEET 1 OF 1 SHEETS				