

TESS™ 140 ORDER FORM

YOUR DETAILS				DELIVERY DETAILS (Standard lead time 4-6 weeks)			
Company		Contact		Required delivery date			
Email		Phone		Delivery address			
Address		Order no.		Delivery options			
		Quote no.					
		Project		Customer to collect (ExWorks)		GD to deliver (DAP - surcharge)	

SYSTEM DIMENSIONS (IN MM - MAX AREA 18m ²)				ROLLER FIXING			RETURN PULLEY FIXING			MOTOR SIDE		
		(max 4000 mm)	(max 6500 mm)									
POS	QTY	WIDTH (SW)	DRAW (SD)	TOP	BACK	SIDE	TOP	BACK/SIDE	LOW*	STD	OPH	
1												
2												
3												
4												
5												
6												
7												
8												
9												
10												
11												
12												
TOTAL												LOCATION Internal External

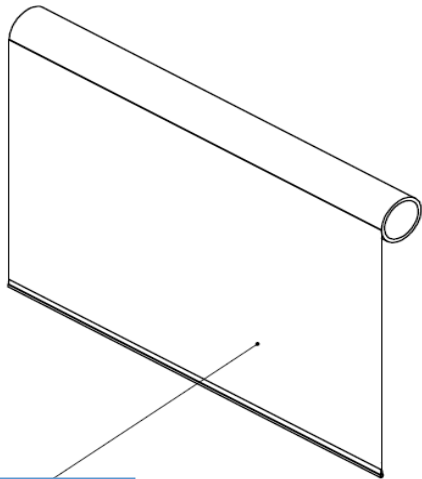
POWDER COATING OPTIONS				MOTOR CONTROL			
REF	RAL 9016 30% (traffic white matt = standard)			All radio transmitters below are battery powered			
	Other RAL, specify below (surcharge)			Hard Wired		Radio	
3075	Other RAL, specify below (surcharge)			REF	RADIO TRANSMITTERS	QTY	
3066	RAL		GLOSS LEVEL		7349	1 channel (hand held)	
		30% matt	70% satin	90% gloss	7350	4+1 channel (hand held)	
					7351	16 channel (hand held)	
					7352	1 channel (wall mounted)	

Systems can be supplied with combined top fix and back fix roller and return pulley brackets

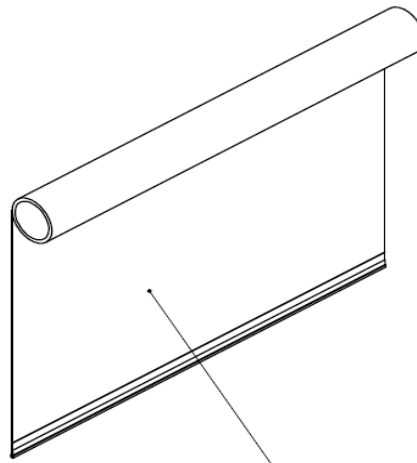
MOTOR VOLTAGE OPTIONS		ACCESSORIES				HEM BAR FINISHING STRIP			HEM BAR END CAP	
REF		REF		REF						
	Standard motor voltage: 230V AC/50 Hz	3522	Hirschmann plug	3607	Cable cutter (Ø5mm cable to cut onsite)	White	Black	None	White	Black
	Special motor voltage: 110V AC/60 Hz	FORM COMPLETED BY PRINT NAME SIGNATURE REGISTERED INSTALLER DATE								
3079	Special motor voltage: 24V DC (24V DC motors incur a surcharge)									

TESS™ 140 FABRIC ORDER FORM

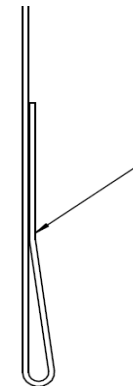
FABRIC SUPPLIED AND FITTED BY GUTHRIE DOUGLAS		OTHER FABRIC SUPPLY OPTIONS	
Fabric type			Supplied by customer, Guthrie Douglas to fit (surcharge)
Colour code*			No fabric
*Please refer to the Guthrie Douglas approved fabrics colour chart www.guthriedouglas.com/fabric-choices		Supply notes for all system fabrics <ul style="list-style-type: none"> Depending on the system width mid welds may be present parallel to the fabric roller. The position of the welds or their orientation cannot be guaranteed. 	



SIDE A	
Colour	



SIDE B	
Colour	



POCKET WELD TO BE ON	
	Side A
	Side B