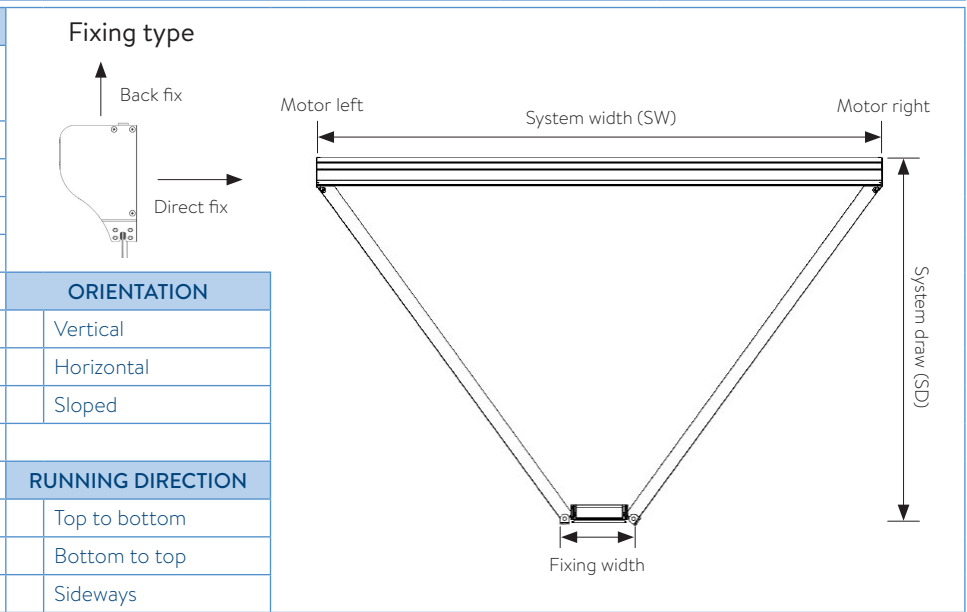


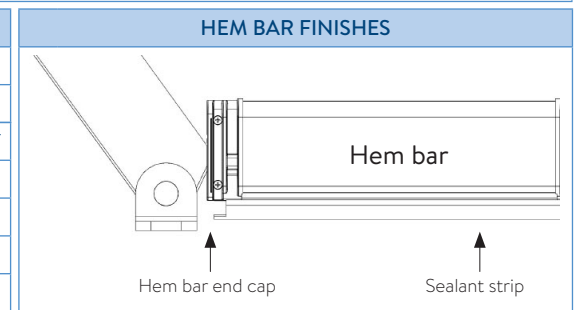
YOUR DETAILS				DELIVERY DETAILS (Standard lead time 4-6 weeks)			
Company		Contact		Required delivery date			
Email		Phone		Delivery address			
Address		Order no.		Delivery options			
		Quote no.					
		Project		Customer to collect (ExWorks)		GD to deliver (DAP - surcharge)	

SYSTEM DIMENSIONS (IN MM - MAX AREA 9m²)					MOTOR SIDE		FIXING TYPE	
POS	QTY	WIDTH (SW) max 3000 mm	DRAW (SD) max 3000 mm	FIXING WIDTH min 360 mm	LEFT	RIGHT	BACK	DIRECT
1								
2								
3								
4								
5								
6								
7								
8								
9								
10								
11								
12								
TOTAL								



POWDER COATING OPTIONS				
REF				
	RAL 9016 30% (traffic white matt = standard)			
3075	Other RAL, specify below (surcharge)			
3066	RAL	GLOSS LEVEL		
		30% matt	70% satin	90% gloss

MOTOR MAKE TYPE							
All radio transmitters below are battery powered							
	Somfy Hard Wired		Somfy Radio		Nice Hard Wired		Nice Radio
REF	SOMFY RADIO TRANSMITTERS		QTY	REF	NICE RADIO TRANSMITTERS		QTY
7349	1 channel (hand held)			7742	1 channel (hand held)		
7350	4+1 channel (hand held)			7768	6 channel (hand held)		
7351	16 channel (hand held)			7743	1 channel (wall mounted)		
7352	1 channel (wall mounted)			7770	6 channel (wall mounted)		



MOTOR VOLTAGE OPTIONS	
REF	
	Standard motor voltage: 230V AC/50 Hz
	Special motor voltage: 110V AC/60 Hz
3079	Special motor voltage: 24V DC (24V DC motors incur a surcharge)

ACCESSORIES	
REF	
3522	Hirschmann plug
7774	Control unit TTU (to be able to set limits of Nice hardwired motor)

FORM COMPLETED BY

Black sealant strip
White sealant strip
Black hem bar end cap
White hem bar end cap

REGISTERED INSTALLER

DATE

TESS™ 602 FABRIC ORDER FORM

FABRIC ALWAYS SUPPLIED AND FITTED BY GUTHRIE DOUGLAS	
Fabric type	
Colour code*	
*Please refer to the Guthrie Douglas approved fabrics colour chart www.guthriedouglas.com/fabric-choices	

PLEASE SPECIFY WHERE YOU WOULD LIKE THE FABRIC FRONT AND BACK (SEE GD WEBSITE FOR MORE DETAILS)	
Fabric front	Flat side (FS)
	or
	Head box side (HBS)

PLEASE SPECIFY WHERE YOU WOULD LIKE THE POCKET WELDS TO BE (WELDS WILL BE VISIBLE)	
Pocket weld	Flat side (FS)
	or
	Head box side (HBS)

PLEASE NOTE

- Once ordered the fabric cannot be turned over.
- On blackout fabric, slight wrinkling has to be expected along the side guides.
- Depending on the system width mid welds may be present parallel to the head box.
- The position of the welds or their orientation cannot be guaranteed.

FABRIC	
Colour	

Fabric pocket
flat side (FS)

FABRIC	
Colour	

Fabric pocket head
box side (HBS)



Head box side (HBS)