

# TESS™ SPARE PARTS PRICE LIST

£ STERLING



# CONTENTS

2	TESS™ Sample Kits	31	TESS™ 400
3	TESS™ Demo Units	35	TESS™ 401
4	TESS™ 100	40	TESS™ 402
8	TESS™ 101	45	TESS™ 420
12	TESS™ 102	48	TESS™ 440
16	TESS™ 120	53	TESS™ 512
19	TESS™ 140	56	TESS™ 600 SERIES
25	TESS™ 200	59	TESS™ 600L
28	TESS™ 308		
29	TESS™ 312		

## TERMS AND CONDITIONS

- 1 Delivery time: 1 working day if UK, 3-5 working days if Europe, tbc if overseas. Subject to item in stock, please get in touch +44 (0) 1926 310850.
- 2 Despatched same day if order placed before 10.00am (UK time).
- 3 All prices exclude VAT, Carriage, Package and Insurance.
- 4 Minimum delivery costs £25 (delivery costs depending on order and can therefore vary).
- 5 If you are a new customer please provide your VAT number, otherwise VAT charges apply.
- 6 On your order, please specify the relevant system type.
- 7 General Terms & Conditions apply.

[Click to jump to your chosen product section](#)

# TESS™ Sample Kits



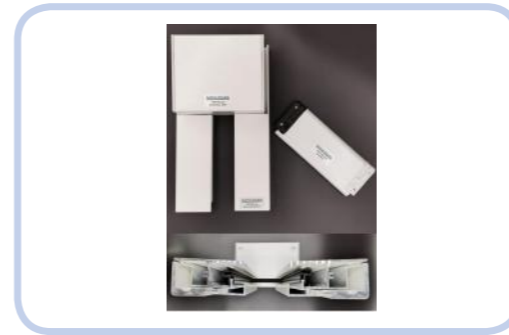
NAV NO.	DESCRIPTION	FINISH	UNIT
7992	TESS™ 100/400 sample kit	White RAL9016	£175.14



NAV NO.	DESCRIPTION	FINISH	UNIT
7855	TESS™ 600/640/660/660L sample kit	White RAL9016	£175.14



NAV NO.	DESCRIPTION	FINISH	UNIT
7993	TESS™ 120/420 sample kit	White RAL9016	£175.14



NAV NO.	DESCRIPTION	FINISH	UNIT
9181	TESS™ 660 recess sample kit	White RAL9016	£175.14



NAV NO.	DESCRIPTION	FINISH	UNIT
7848	TESS™ 140/440 sample kit	White RAL9016	£204.33

# TESS™ Demo Units



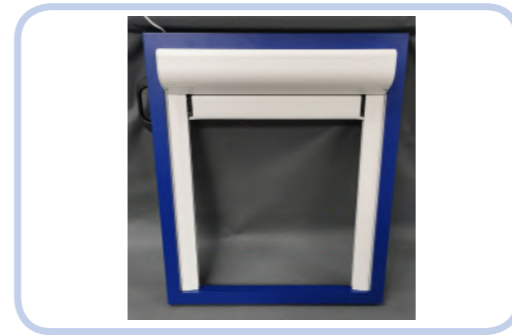
NAV NO.	DESCRIPTION	FINISH	UNIT
7297	TESS™ 100 portable demo unit	White RAL9016	£510.29



NAV NO.	DESCRIPTION	FINISH	UNIT
9220	TESS™ 640 portable demo unit	White RAL9016	£510.29



NAV NO.	DESCRIPTION	FINISH	UNIT
6746	TESS™ 140 portable demo unit	White RAL9016	£510.29



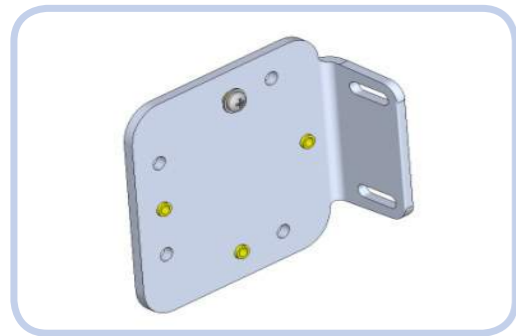
NAV NO.	DESCRIPTION	FINISH	UNIT
6747	TESS™ 660 portable demo unit	White RAL9016	£510.29



NAV NO.	DESCRIPTION	FINISH	UNIT
6748	TESS™ 602 portable demo unit	White RAL9016	£510.29

• Approximate size of the demo units are 1000mm x 1000mm

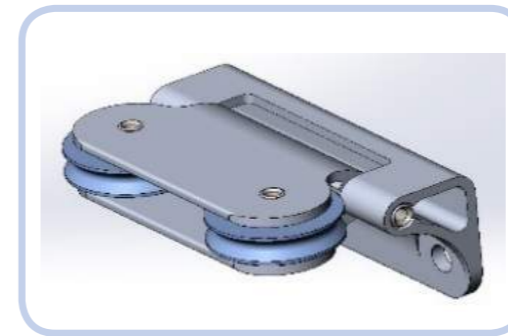
# TESS™ 100



NAV NO.	DESCRIPTION	FINISH	UNIT
6772	Mounting bracket universal	Mill	£23.35
6773	Mounting bracket universal	White RAL9016	£23.01



NAV NO.	DESCRIPTION	FINISH	UNIT
7298	Side fix end plated s/assy	Mill	£18.70
7299	Side fix end plated s/assy	White RAL9016	£18.70



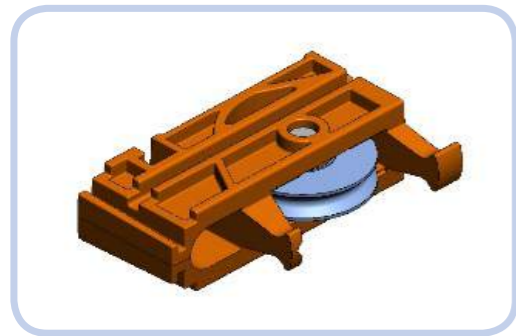
NAV NO.	DESCRIPTION	FINISH	UNIT
7139	Pivoting twin return pulley assy	Mill	£52.49
8211	Pivoting twin return pulley assy	White RAL9016	£52.49



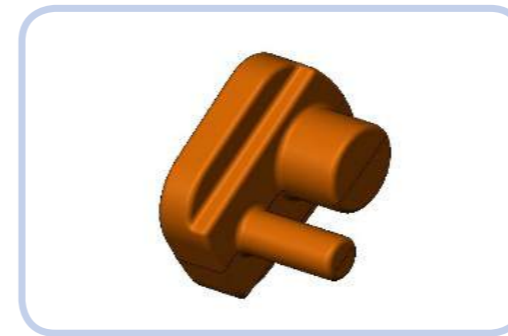
NAV NO.	DESCRIPTION	FINISH	UNIT
7841	Wire rope 1.2mm core 1.5 OD - 50 metre	N/A	£59.57
4376	Wire rope 1.2mm core 1.5 OD - 100 metre	N/A	£118.69
4377	Wire rope 1.2mm core 1.5 OD - 200 metre	N/A	£237.26
4378	Wire rope 1.2mm core 1.5 OD - 500 metre	N/A	£593.27

# TESS™ 100

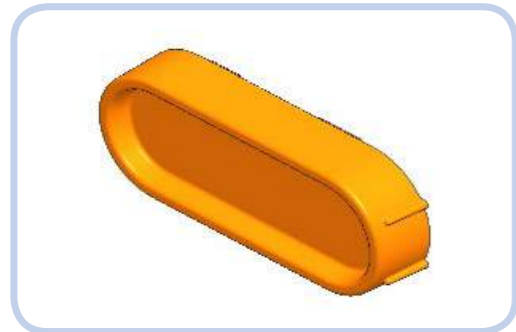
Parts for new hembar – from February 2018



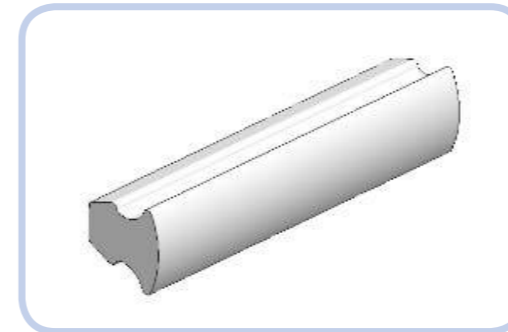
NAV NO.	DESCRIPTION	FINISH	UNIT
8320	Hem bar pulley housing assy	Black	£14.40
3041	Supply with fixing screw		



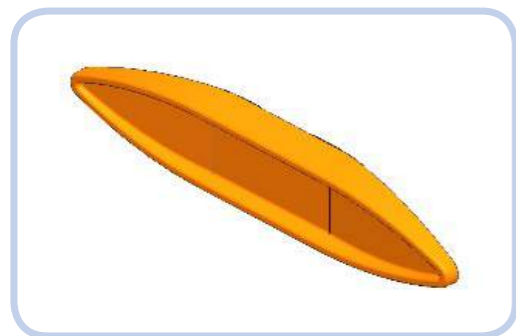
NAV NO.	DESCRIPTION	FINISH	UNIT
8295	Hembar fabric spacer	Black	£0.68
7392	Hembar fabric spacer	White	£0.68



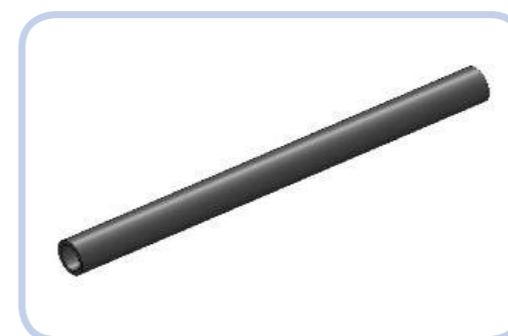
NAV NO.	DESCRIPTION	FINISH	UNIT
8288	Hembar end cap	Black	£3.85
7388	Hembar end cap	White	£3.85



NAV NO.	DESCRIPTION	FINISH	UNIT
8289	Hembar silicone finishing strip (price per 20m coil)	Black	£144.31
7390	Hembar silicone finishing strip (price per 20m coil)	White	£144.31



NAV NO.	DESCRIPTION	FINISH	UNIT
8287	Hembar end cap r/roller	Black	£4.93
7394	Hembar end cap r/roller	White	£4.93



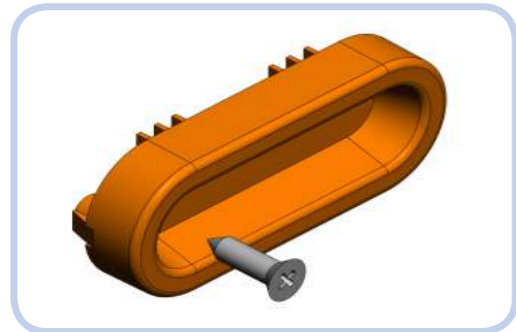
NAV NO.	DESCRIPTION	FINISH	UNIT
5689	Hembar guide cable tube (price per 4m length)	Black	£15.42

# TESS™ 100

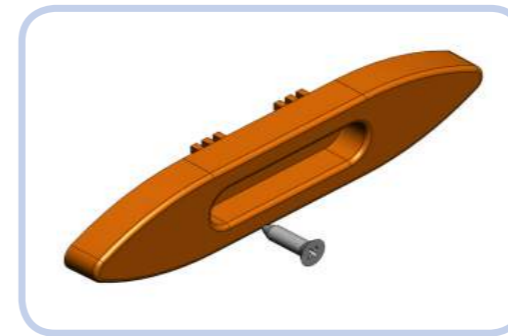
Parts for hembar – pre-February 2018



NAV NO.	DESCRIPTION	FINISH	UNIT
4435	Hembar pulley assy	N/A	18.31



NAV NO.	DESCRIPTION	FINISH	UNIT
5493	Hembar end cap s/assy standard	White	£3.85
5494	Hembar end cap s/assy standard	Black	£3.85



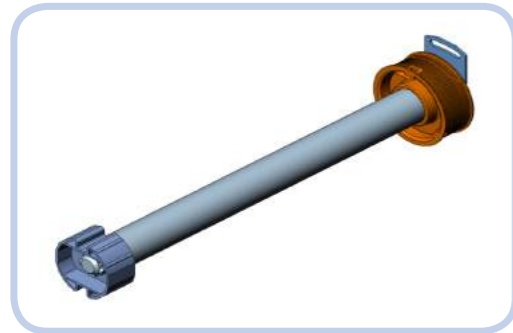
NAV NO.	DESCRIPTION	FINISH	UNIT
5495	Hembar end cap s/assy boat style	White	£3.85
5496	Hembar end cap s/assy boat style	Black	£3.85

# TESS™ 100

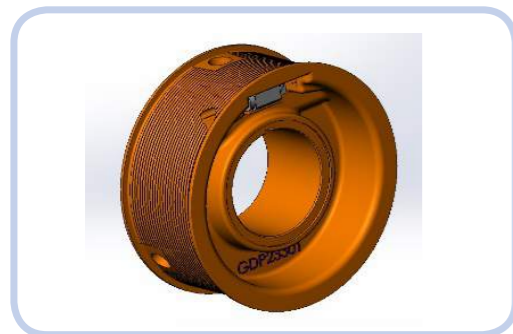
Motor assemblies and spring cassette assemblies

## MOTOR ASSEMBLIES

- Motors are supplied as a complete assembly with cable drum and mounting adaptors for quick and easy replacement.
- Motors that were installed on TESS™ systems before 2002 may require additional adaptors so please inform our sales department when placing your order (refer to technical document TD56).



NAV NO.	DESCRIPTION	FINISH	UNIT
5357	Type 5 motor and bracket s/assy - Standard motor 230V AC	N/A	£184.21
5358	Type 5 motor and bracket s/assy - Standard motor 110V AC	N/A	£212.21
5359	Type 5 motor and bracket s/assy - Radio motor 230V AC	N/A	£278.24
5360	Type 5 motor and bracket s/assy - Radio motor 110V AC	N/A	£263.68



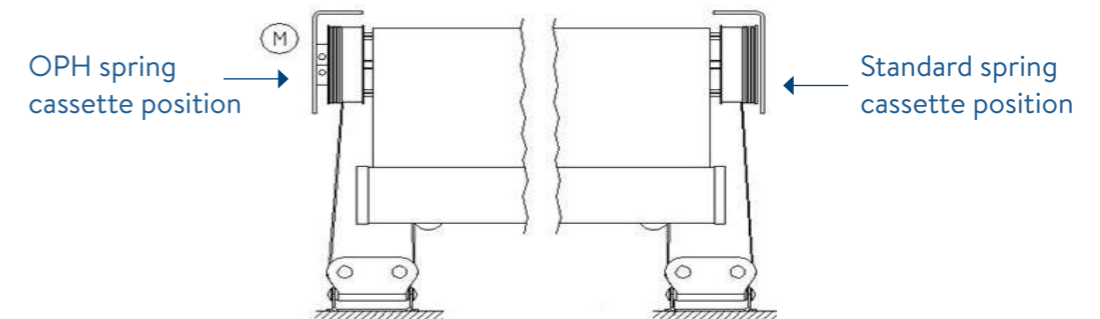
NAV NO.	DESCRIPTION	FINISH	UNIT
6745	Motor cable spool s/assy	Black	£38.15
7865	To be supplied with replacement Simu Motor Limit Collar	Black	£8.39

## SPRING CASSETTE ASSEMBLIES

- Tension springs are only supplied as a complete assembly for quick and easy replacement.
- Four variations of spring cassette are used. They are not interchangeable.
  - Standard and OPH spring cassettes are used on TESS™ systems above 1080mm wide
  - Short and short OPH spring cassettes are only used on systems that are below 1080 wide AND less than 3000mm draw.
  - Please refer to diagram below for standard and OPH spring cassette positions. For identification the OPH spring cassettes are sprayed white on the coils.

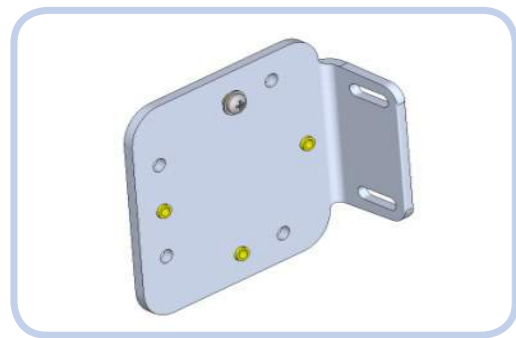


NAV NO.	DESCRIPTION	FINISH	UNIT
5353	Standard Spring Cassette	N/A	£186.31
5354	OPH (opposite hand) spring cassette	N/A	£189.71
5355	Short spring cassette (standard position)	N/A	£209.32
5356	Short OPH (opposite hand) spring cassette	N/A	£201.84

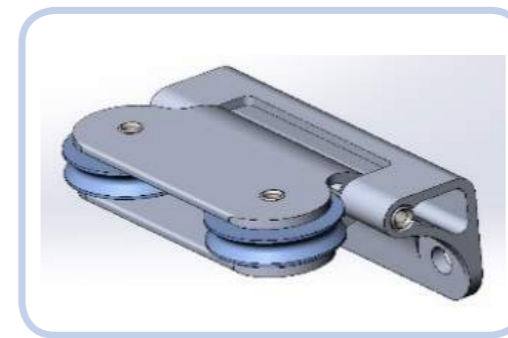




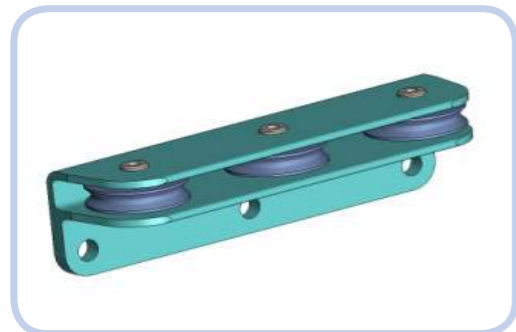
# TESS™ 101



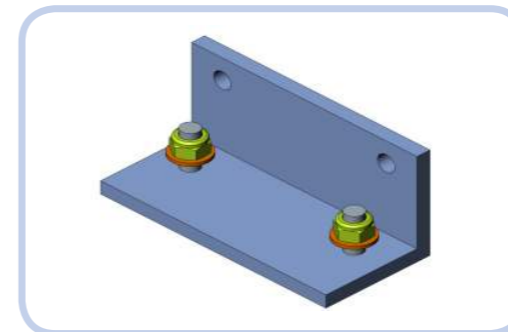
NAV NO.	DESCRIPTION	FINISH	UNIT
6772	Mounting bracket universal	Mill	£23.35
6773	Mounting bracket universal	White RAL9016	£23.35



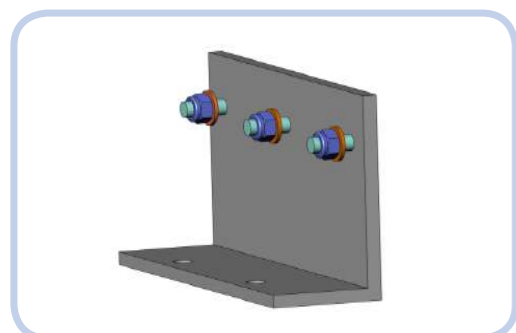
NAV NO.	DESCRIPTION	FINISH	UNIT
7139	Pivoting twin return pulley assy	Mill	£52.49
8211	Pivoting twin return pulley assy	White RAL9016	£52.49



NAV NO.	DESCRIPTION	FINISH	UNIT
6655	Triple return pulley assy	Mill	£38.37
6656	Triple return pulley assy	White RAL9016	£38.37



NAV NO.	DESCRIPTION	FINISH	UNIT
3772	Twin return pulley mounting bracket assy 50x50	Mill	£13.04
3773	Twin return pulley mounting bracket assy 50x50	White RAL9016	£13.04



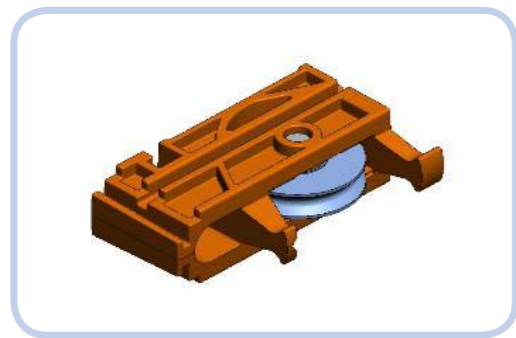
NAV NO.	DESCRIPTION	FINISH	UNIT
3933	Triple return pulley mounting bracket assy 102x50	Mill	£15.42
3934	Triple return pulley mounting bracket assy 102x50	White RAL9016	£15.42



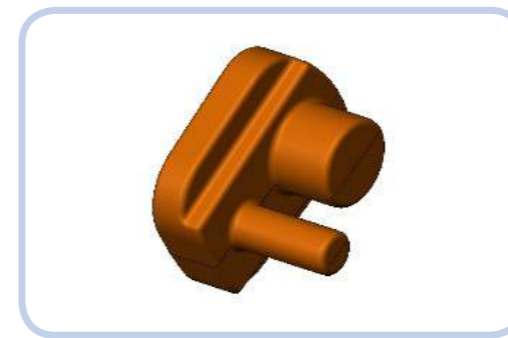
NAV NO.	DESCRIPTION	FINISH	UNIT
7841	Wire rope 1.2mm core 1.5 OD - 50 metre	N/A	£59.57
4376	Wire rope 1.2mm core 1.5 OD - 100 metre	N/A	£118.69
4377	Wire rope 1.2mm core 1.5 OD - 200 metre	N/A	£237.26
4378	Wire rope 1.2mm core 1.5 OD - 500 metre	N/A	£593.27

# TESS™ 101

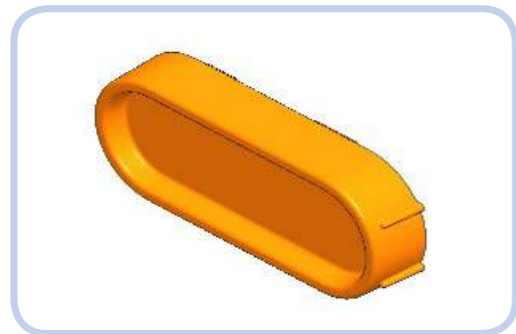
Parts for new hembar – from February 2018



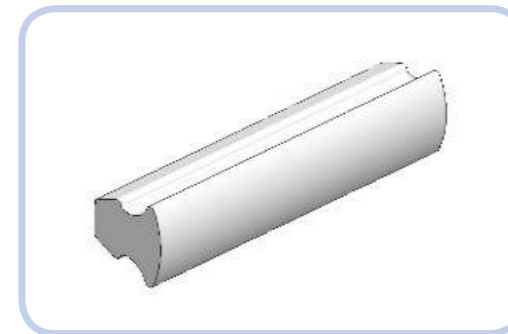
NAV NO.	DESCRIPTION	FINISH	UNIT
8320	Hembar pulley Housing assy	Black	£14.40
3041	Supply with fixing screw		



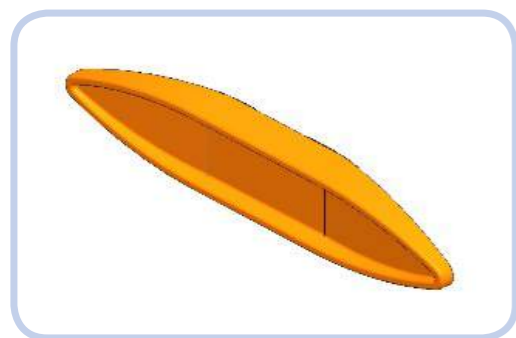
NAV NO.	DESCRIPTION	FINISH	UNIT
8295	Hem bar fabric spacer	Black	£0.68
7392	Hem bar fabric spacer	White	£0.68



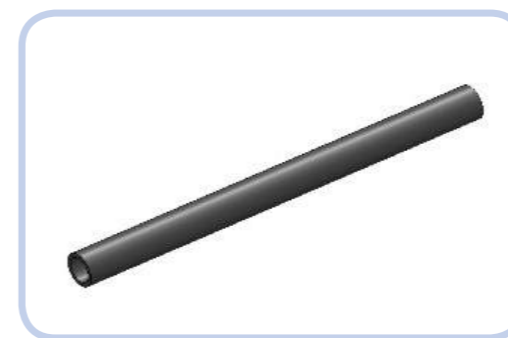
NAV NO.	DESCRIPTION	FINISH	UNIT
8288	Hembar end cap	Black	£3.85
7388	Hembar end cap	White	£3.85



NAV NO.	DESCRIPTION	FINISH	UNIT
8289	Hembar silicone finishing strip (price per 20m coil)	Black	£144.31
7390	Hembar silicone finishing strip (price per 20m coil)	White	£144.31



NAV NO.	DESCRIPTION	FINISH	UNIT
8287	Hembar end cap r/roller	Black	£4.93
7394	Hembar end cap r/roller	White	£4.93



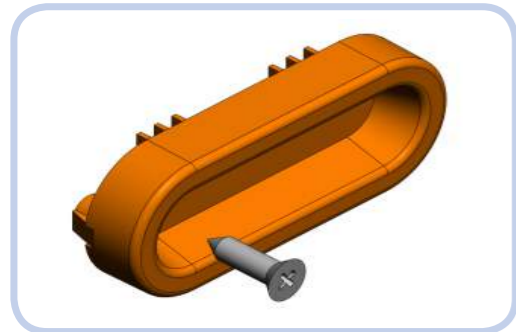
NAV NO.	DESCRIPTION	FINISH	UNIT
5689	Hembar guide cable tube (price per 4m length)	Black	£15.42

# TESS™ 101

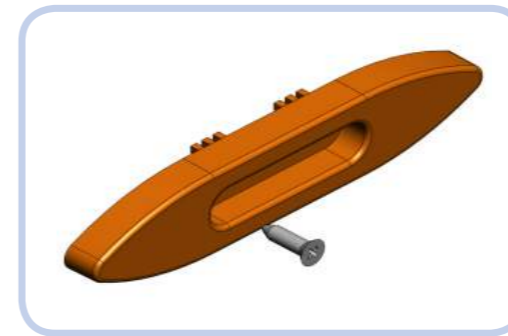
Parts for hembar – pre-February 2018



NAV NO.	DESCRIPTION	FINISH	UNIT
4435	Hembar pulley assy	N/A	£18.31



NAV NO.	DESCRIPTION	FINISH	UNIT
5493	Hembar end cap s/assy standard	White	£3.85
5494	Hembar end cap s/assy standard	Black	£3.85



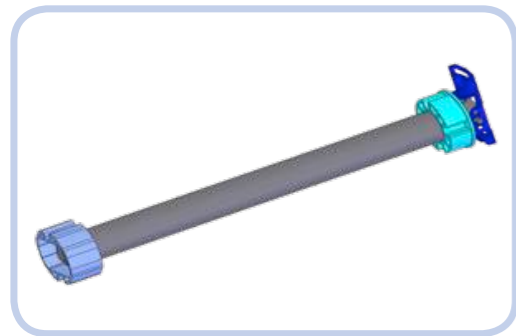
NAV NO.	DESCRIPTION	FINISH	UNIT
5495	Hembar end cap s/assy boat style	White	£3.85
5496	Hembar end cap s/assy boat style	Black	£3.85

# TESS™ 101

## Motor assemblies and spring cassette assemblies

### MOTOR ASSEMBLIES

- Motors are supplied as a complete assembly with cable drum and mounting adaptors for quick and easy replacement.
- Motors that were installed on TESS™ systems before 2002 may require additional adaptors so please inform our sales department when placing your order (refer to technical document TD56).



NAV NO.	DESCRIPTION	FINISH	UNIT
4793	Standard wired motor assembly – 230V AC	N/A	£171.06
4794	Radio motor assembly – 230V AC	N/A	£233.24
4795	Standard wired motor assembly – 110V AC	N/A	£219.75

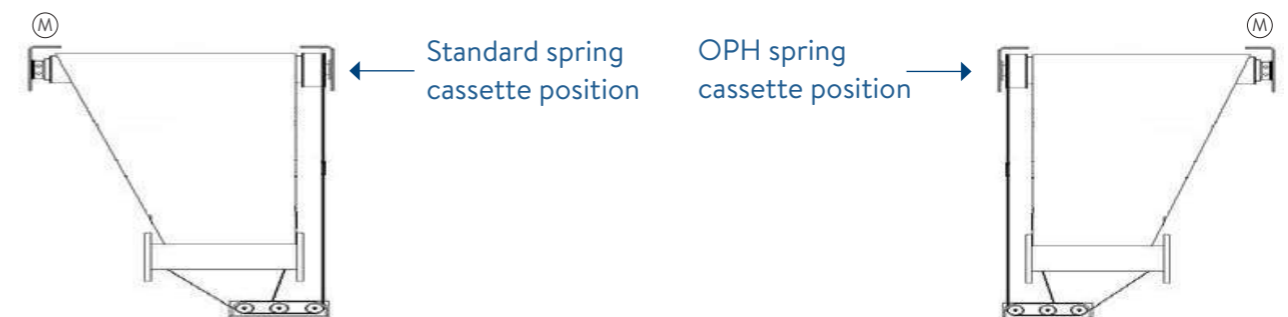
### SPRING CASSETTE ASSEMBLIES

- Tension springs are only supplied as a complete assembly for quick and easy replacement.
- Four variations of spring cassette are used. They are not interchangeable.
  - Standard and OPH spring cassettes are used on TESS™ systems above 1080mm wide
  - Short and short OPH spring cassettes are only used on systems that are below 1080 wide AND less than 3000mm draw.
- Please refer to diagram below for standard and OPH spring cassette positions. For identification the OPH spring cassettes are sprayed white on the coils.

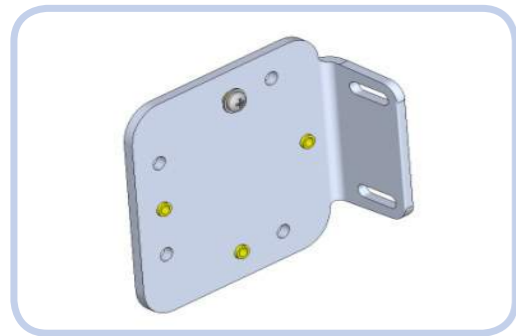


\*Please specify when ordering that spring cassette is for TESS™ 101

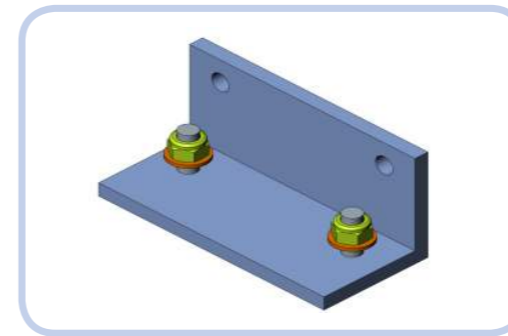
NAV NO.	DESCRIPTION	FINISH	UNIT
5353*	Standard spring cassette	N/A	£186.31
5354*	OPH (opposite hand) spring cassette	N/A	£189.71
5355*	Short spring cassette (standard position)	N/A	£209.32
5356*	Short OPH (opposite hand) spring cassette	N/A	£201.84
3447	1.2 mm copper end stop	N/A	£1.13



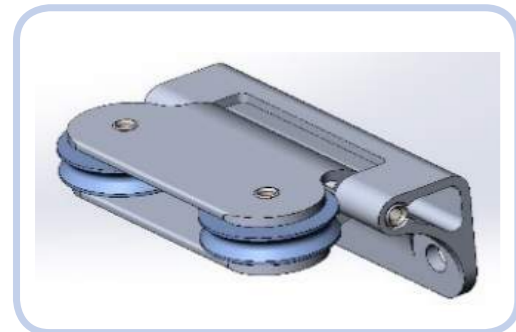
# TESS™ 102



NAV NO.	DESCRIPTION	FINISH	UNIT
6772	Mounting bracket universal	Mill	£23.35
6773	Mounting bracket universal	White RAL9016	£23.35



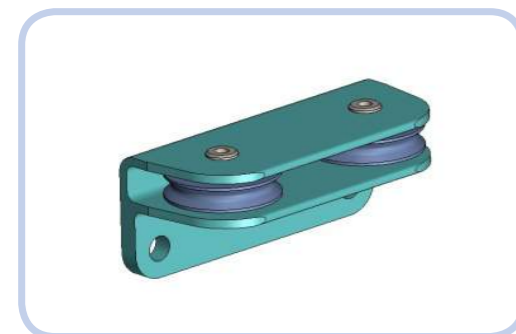
NAV NO.	DESCRIPTION	FINISH	UNIT
3772	Twin return pulley mounting bracket assy 50x50	Mill	£13.04
3773	Twin return pulley mounting bracket assy 50x50	White RAL9016	£13.04



NAV NO.	DESCRIPTION	FINISH	UNIT
7139	Pivoting twin return pulley assy	Mill	£52.49
8211	Pivoting twin return pulley assy	White RAL9016	£42.49



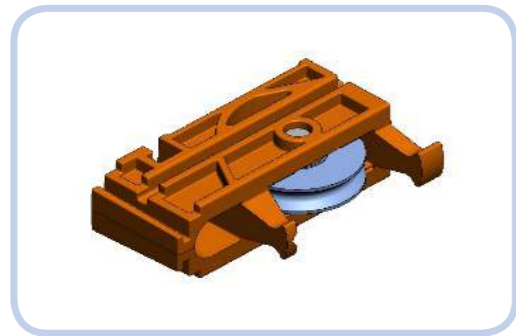
NAV NO.	DESCRIPTION	FINISH	UNIT
7841	Wire rope 1.2mm core 1.5 OD - 50 metre	N/A	£59.57
4376	Wire rope 1.2mm core 1.5 OD - 100 metre	N/A	£118.69
4377	Wire rope 1.2mm core 1.5 OD - 200 metre	N/A	£237.62
4378	Wire rope 1.2mm core 1.5 OD - 500 metre	N/A	£593.27



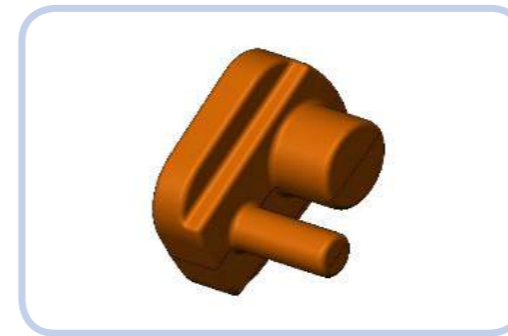
NAV NO.	DESCRIPTION	FINISH	UNIT
6653	Twin diverting pulley assy	Mill	£31.12
6654	Twin diverting pulley assy	White RAL9016	£31.12

# TESS™ 102

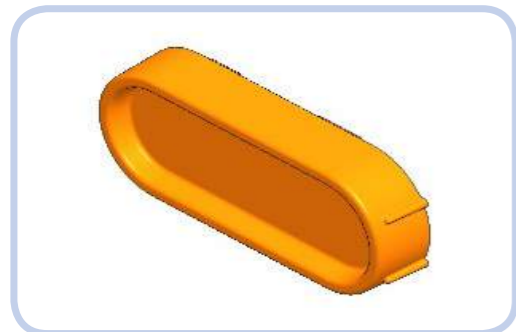
Parts for new hembar – from February 2018



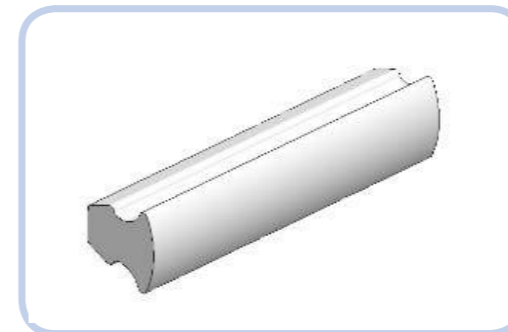
NAV NO.	DESCRIPTION	FINISH	UNIT
8320	Hem bar pulley housing assy	Black	£14.40
3041	Supply with fixing screw		



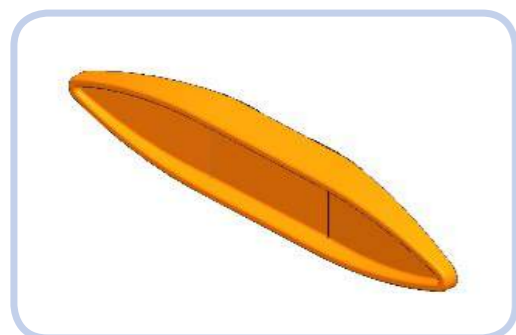
NAV NO.	DESCRIPTION	FINISH	UNIT
8295	Hembar fabric spacer	Black	£0.68
7392	Hembar fabric spacer	White	£0.68



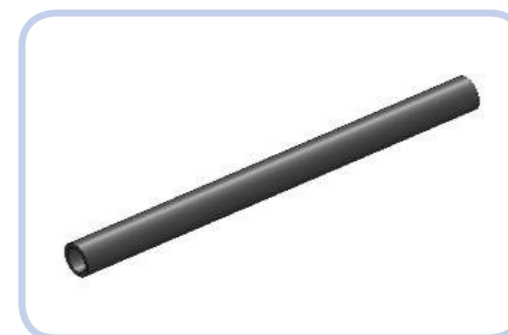
NAV NO.	DESCRIPTION	FINISH	UNIT
8288	Hembar end cap	Black	£3.85
7388	Hembar end cap	White	£3.85



NAV NO.	DESCRIPTION	FINISH	UNIT
8289	Hembar silicone finishing strip (price per 20m coil)	Black	£144.31
7390	Hembar silicone finishing strip (price per 20m coil)	White	£144.31



NAV NO.	DESCRIPTION	FINISH	UNIT
8287	Hembar end cap r/roller	Black	£4.93
7394	Hembar end cap r/roller	White	£4.93



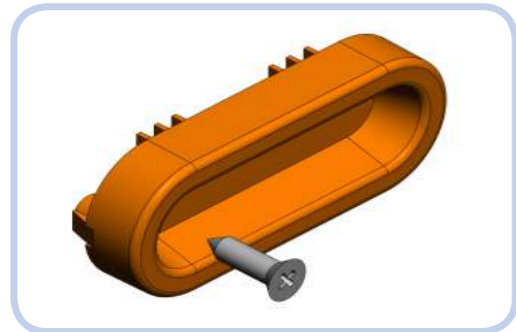
NAV NO.	DESCRIPTION	FINISH	UNIT
5689	Hembar guide cable tube (price per 4m length)	Black	£15.42

# TESS™ 102

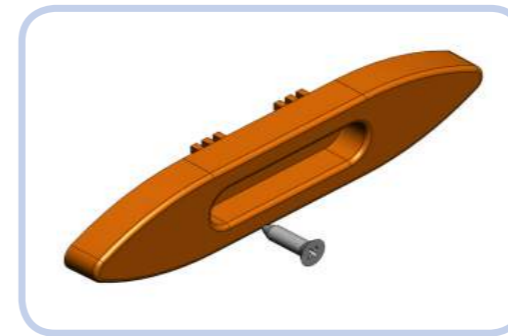
Parts for hembar – pre-February 2018



NAV NO.	DESCRIPTION	FINISH	UNIT
4435	Hembar pulley assy	N/A	£18.31



NAV NO.	DESCRIPTION	FINISH	UNIT
5493	Hembar end cap s/assy standard	White	£3.85
5494	Hembar end cap s/assy standard	Black	£3.85



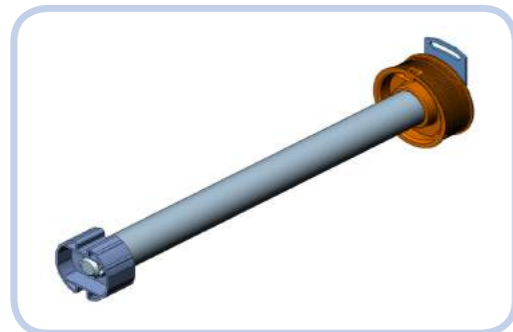
NAV NO.	DESCRIPTION	FINISH	UNIT
5495	Hembar end cap s/assy boat style	White	£3.85
5496	Hembar end cap s/assy boat style	Black	£3.85

# TESS™ 102

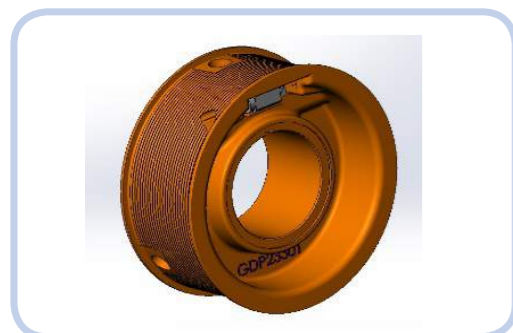
## Motor assemblies and spring cassette assemblies

### MOTOR ASSEMBLIES

- Motors are supplied as a complete assembly with cable drum and mounting adaptors for quick and easy replacement.
- Motors that were installed on TESS™ systems before 2002 may require additional adaptors so please inform our sales department when placing your order (refer to technical document TD56).



NAV NO.	DESCRIPTION	FINISH	UNIT
5357	Type 5 motor and bracket s/assy - Standard motor 230V AC	N/A	£184.21
5358	Type 5 motor and bracket s/assy - Standard motor 110V AC	N/A	£212.21
5359	Type 5 motor and bracket s/assy - Radio motor 230V AC	N/A	£278.24
5360	Type 5 motor and bracket s/assy - Radio motor 110V AC	N/A	£263.68



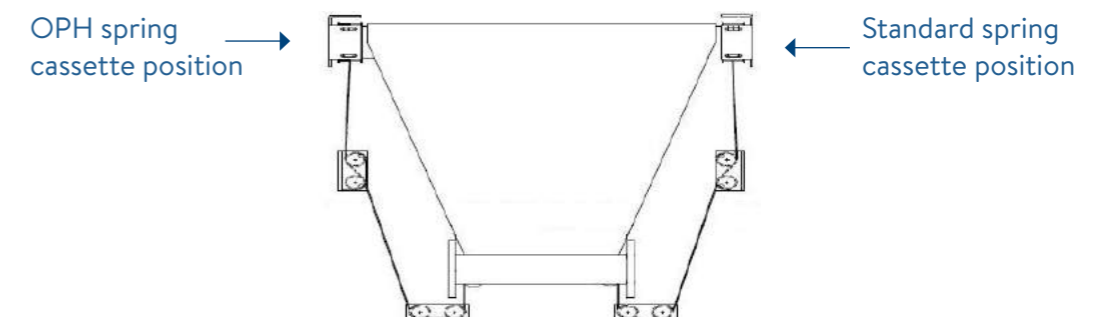
NAV NO.	DESCRIPTION	FINISH	UNIT
6745	Motor cable spool s/assy	Black	£38.15
7865	To be supplied with replacement Simu Motor Limit Collar	Black	£8.39

### SPRING CASSETTE ASSEMBLIES

- Tension springs are only supplied as a complete assembly for quick and easy replacement.
- Four variations of spring cassette are used. They are not interchangeable.
  - Standard and OPH spring cassettes are used on TESS™ systems above 1080mm wide
  - Short and short OPH spring cassettes are only used on systems that are below 1080 wide AND less than 3000mm draw.
  - Please refer to diagram below for standard and OPH spring cassette positions. For identification the OPH spring cassettes are sprayed white on the coils.

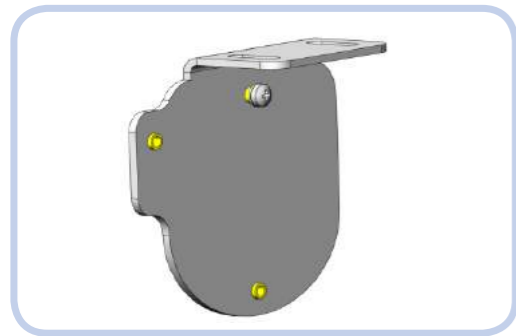


NAV NO.	DESCRIPTION	FINISH	UNIT
5353	Standard Spring Cassette	N/A	£186.31
5354	OPH (opposite hand) spring cassette	N/A	£189.71
5355	Short spring cassette (standard position)	N/A	£209.32
5356	Short OPH (opposite hand) spring cassette	N/A	£201.84





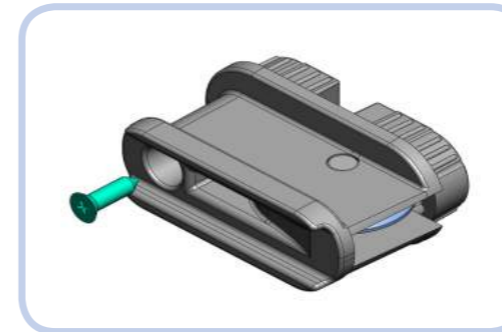
# TESS™ 120



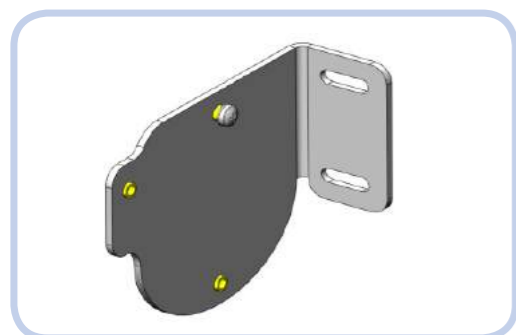
NAV NO.	DESCRIPTION	FINISH	UNIT
4968	Top fix cheek plate assy LH	White	£43.81
4969	Top fix cheek plate assy RH	White	£43.81
5007	Top fix cheek plate assy LH	Mill	£43.81
5008	Top fix cheek plate assy RH	Mill	£43.81



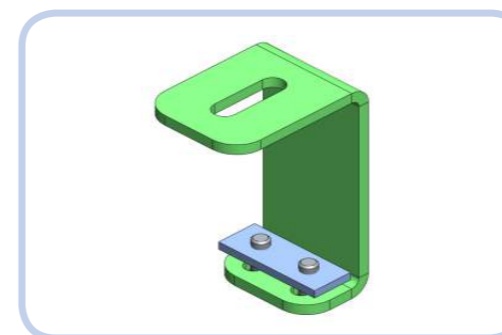
NAV NO.	DESCRIPTION	FINISH	UNIT
5497	Return pulley assy LH	Black	£18.19
5498	Return pulley assy RH	Black	£18.19



NAV NO.	DESCRIPTION	FINISH	UNIT
5499	Hembar end caps/assy LH	Black	£14.85
5500	Hembar end caps/assy RH	Black	£14.85

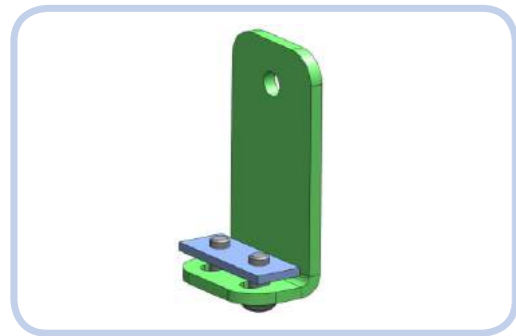


NAV NO.	DESCRIPTION	FINISH	UNIT
4970	Back fix cheek plate assy LH	White	£46.19
4971	Back fix cheek plate assy RH	White	£46.19
5011	Back fix cheek plate assy LH	Mill	£46.19
5012	Back fix cheek plate assy RH	Mill	£46.19

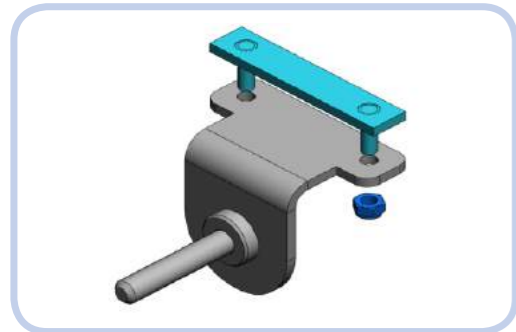


NAV NO.	DESCRIPTION	FINISH	UNIT
4974	Side guide mounting bracket – top fix inclusive of fixings	White	£22.50
5019	Side guide mounting bracket – top fix inclusive of fixings	Mill	£22.50

# TESS™ 120



NAV NO.	DESCRIPTION	FINISH	UNIT
4973	Side guide mounting bracket assy - inclusive of fixings	White	£19.89
5017	Side guide mounting bracket assy - inclusive of fixings	Mill	£19.89



NAV NO.	DESCRIPTION	FINISH	UNIT
5501	Relieving roller mounting bracket s/assy	Mill	£26.47
5502	Relieving roller mounting bracket s/assy	White	£26.47



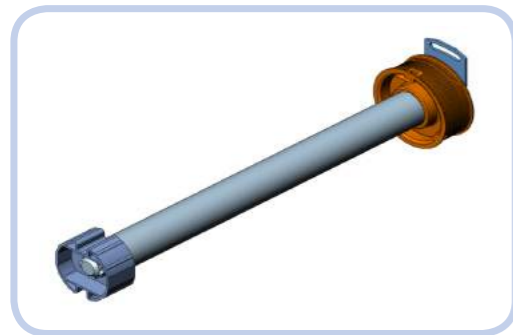
NAV NO.	DESCRIPTION	FINISH	UNIT
7841	Wire rope 1.2mm core 1.5 OD - 50 metre	N/A	£59.57
4376	Wire rope 1.2mm core 1.5 OD - 100 metre	N/A	£118.69
4377	Wire rope 1.2mm core 1.5 OD - 200 metre	N/A	£237.26
4378	Wire rope 1.2mm core 1.5 OD - 500 metre	N/A	£593.27

# TESS™ 120

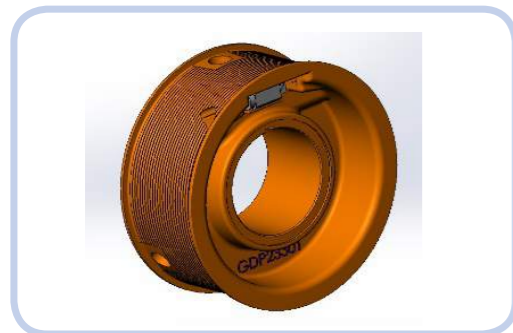
## Motor assemblies and spring cassette assemblies

### MOTOR ASSEMBLIES

- Motors are supplied as a complete assembly with cable drum and mounting adaptors for quick and easy replacement.
- Motors that were installed on TESS™ systems before 2002 may require additional adaptors so please inform our sales department when placing your order (refer to technical document TD56).



NAV NO.	DESCRIPTION	FINISH	UNIT
5357	Type 5 motor and bracket s/assy – Standard motor 230V AC	N/A	£184.21
5358	Type 5 motor and bracket s/assy – Standard motor 110V AC	N/A	£212.21
5359	Type 5 motor and bracket s/assy – Radio motor 230V AC	N/A	£278.24
5360	Type 5 motor and bracket s/assy – Radio motor 110V AC	N/A	£263.68



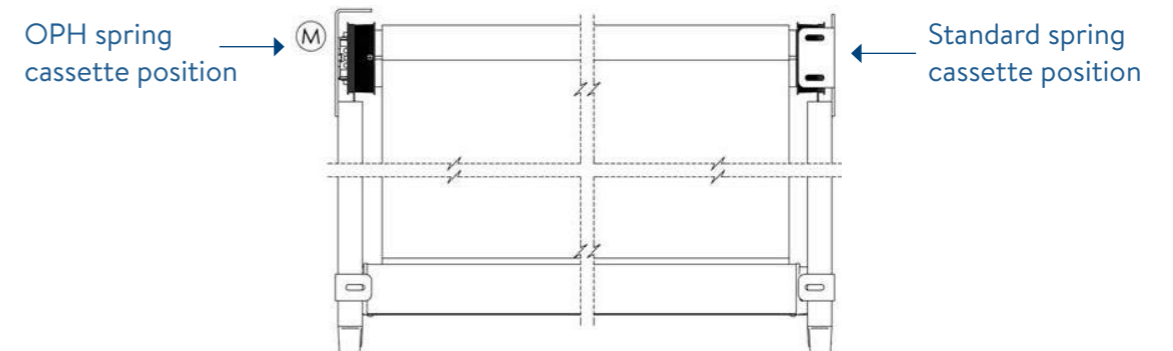
NAV NO.	DESCRIPTION	FINISH	UNIT
6745	Motor cable spool s/assy	Black	£38.15
7865	To be supplied with replacement Simu Motor Limit Collar	Black	£8.39

### SPRING CASSETTE ASSEMBLIES

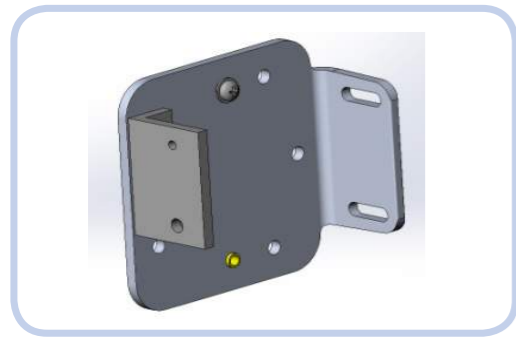
- Tension springs are only supplied as a complete assembly for quick and easy replacement.
- Four variations of spring cassette are used. They are not interchangeable.
  - Standard and OPH spring cassettes are used on TESS™ systems above 1080mm wide
  - Short and short OPH spring cassettes are only used on systems that are below 1080 wide AND less than 3000mm draw.
  - Please refer to diagram below for standard and OPH spring cassette positions. For identification the OPH spring cassettes are sprayed white on the coils.



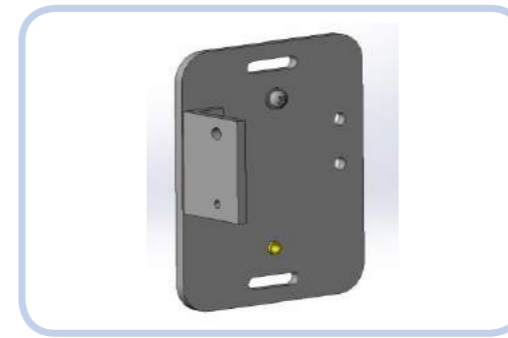
NAV NO.	DESCRIPTION	FINISH	UNIT
5353	Standard Spring Cassette	N/A	£186.31
5354	OPH (opposite hand) spring cassette	N/A	£189.59
5355	Short spring cassette (standard position)	N/A	£209.32
5356	Short OPH (opposite hand) spring cassette	N/A	£201.84



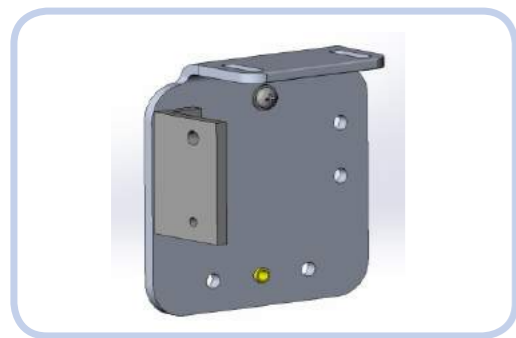
# TESS™ 140



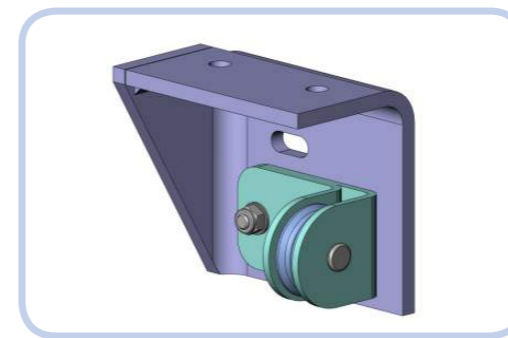
NAV NO.	DESCRIPTION	FINISH	UNIT
6764	Back fix end plate assy LH	Mill	£32.19
6765	Back fix end plate assy LH	White RAL9016	£32.19
6766	Back fix end plate assy RH	Mill	£32.19
6767	Back fix end plate assy RH	White RAL9016	£32.19



NAV NO.	DESCRIPTION	FINISH	UNIT
6760	Side fix end plate assy LH	Mill	£29.13
6761	Side fix end plate assy LH	White RAL9016	£29.13
6762	Side fix end plate assy RH	Mill	£29.13
6763	Side fix end plate assy RH	White RAL9016	£29.13

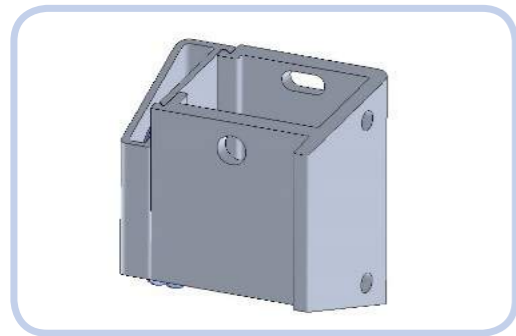


NAV NO.	DESCRIPTION	FINISH	UNIT
6768	Top fix end plate assy LH	Mill	£29.13
6769	Top fix end plate assy LH	White RAL9016	£29.13
6770	Top fix end plate assy RH	Mill	£29.13
6771	Top fix end plate assy RH	White RAL9016	£29.13

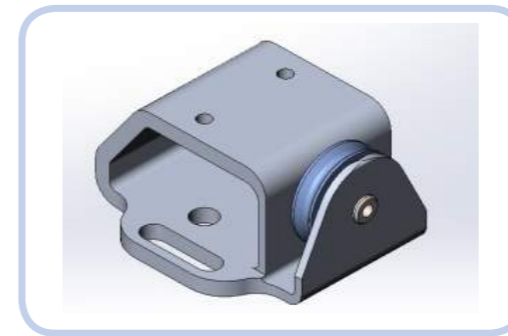


NAV NO.	DESCRIPTION	FINISH	UNIT
4371	Top fix return pulley assy LH	Mill	£57.36
4372	Top fix return pulley assy LH	White RAL9016	£57.36
4373	Top fix return pulley assy RH	Mill	£57.36
4374	Top fix return pulley assy RH	White RAL9016	£57.36

# TESS™ 140



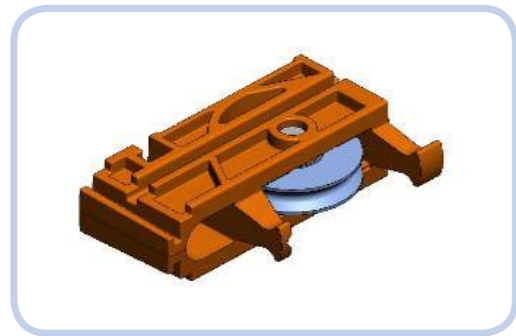
NAV NO.	DESCRIPTION	FINISH	UNIT
7812	Back/side fix return pulley LH	White RAL9016	£59.40
8324	Back/side fix return pulley RH	White RAL9016	£59.40



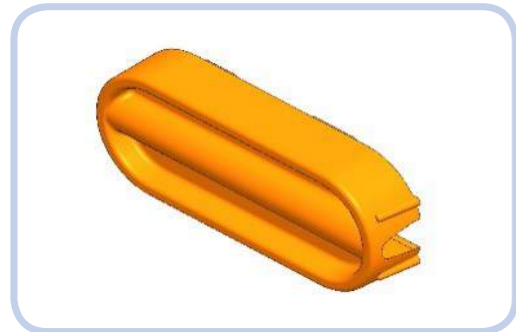
NAV NO.	DESCRIPTION	FINISH	UNIT
7258	Back fix low profile return pulley LH	Mill	£29.53
7259	Back fix low profile return pulley RH	Mill	£29.53
7260	Back fix low profile return pulley LH	White RAL9016	£29.53
7261	Back fix low profile return pulley RH	White RAL9016	£29.53

# TESS™ 140

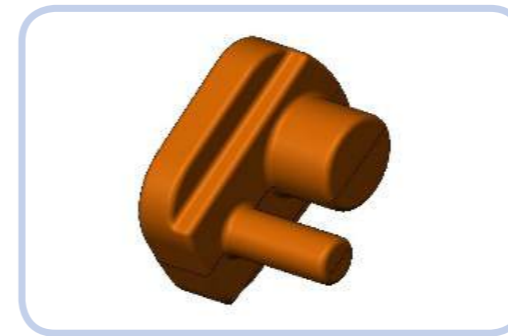
Parts for new hembar – from February 2018



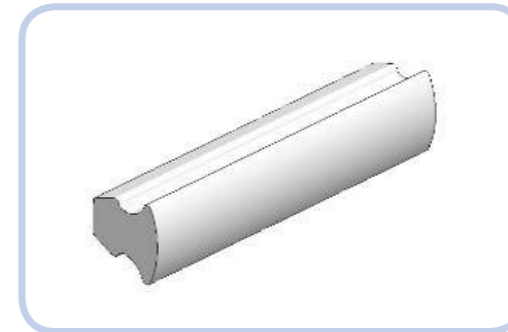
NAV NO.	DESCRIPTION	FINISH	UNIT
8320	Hembar pulley housing assy	Black	£14.40



NAV NO.	DESCRIPTION	FINISH	UNIT
8224	Hembar end cap	Black	£2.10
7387	Hembar end cap	White	£2.10

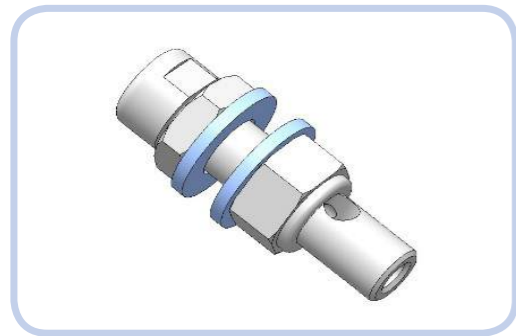


NAV NO.	DESCRIPTION	FINISH	UNIT
8286	Hembar fabric spacer	Black	£0.68
7391	Hembar fabric spacer	White	£0.68



NAV NO.	DESCRIPTION	FINISH	UNIT
8289	Hembar silicone finishing strip (price per 20m coil)	Black	£142.95
7390	Hembar silicone finishing strip (price per 20m coil)	White	£144.31

# TESS™ 140



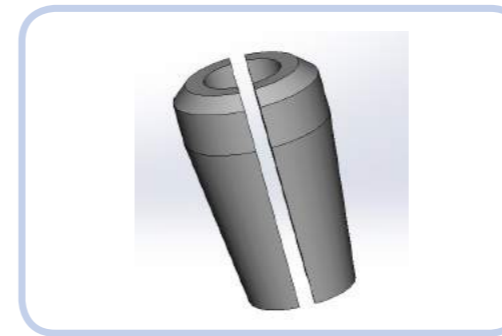
NAV NO.	DESCRIPTION	FINISH	UNIT
7840	5mm cable tensioner	N/A	£22.73

Sold individually



NAV NO.	DESCRIPTION	FINISH	UNIT
7653	Dia 5mm GD wire guide kit 3m length 30mm thread	N/A	£105.20
7654	Dia 5mm GD wire guide kit 4.0m length 60mm thread	N/A	£115.97
8338	Dia 5mm GD wire guide kit 6.5m length 60mm thread	N/A	£156.55

Sold as a pair



NAV NO.	DESCRIPTION	FINISH	UNIT
8340	Guide cable collet	N/A	£7.60



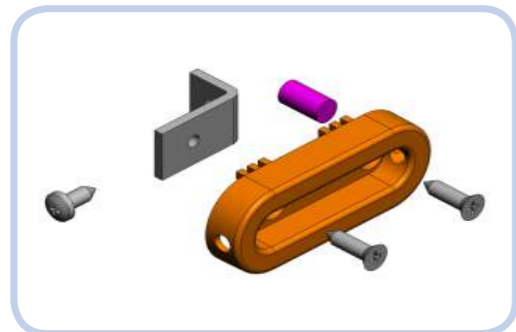
NAV NO.	DESCRIPTION	FINISH	UNIT
7841	Wire rope 1.2mm core 1.5 OD - 50 metre	N/A	£59.57
4376	Wire rope 1.2mm core 1.5 OD - 100 metre	N/A	£118.69
4377	Wire rope 1.2mm core 1.5 OD - 200 metre	N/A	£237.26
4378	Wire rope 1.2mm core 1.5 OD - 500 metre	N/A	£593.27

# TESS™ 140

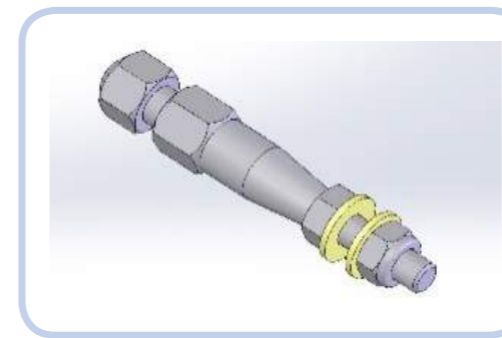
Parts for system – pre-February 2018



NAV NO.	DESCRIPTION	FINISH	UNIT
4435	Hembar pulley assy	N/A	£18.31



NAV NO.	DESCRIPTION	FINISH	UNIT
4433	Hembar end cap assy	Black	£9.30



NAV NO.	DESCRIPTION	FINISH	UNIT
4312	Screwed thread end with 30mm thread	N/A	£38.66
4313	Screwed thread end with 60mm thread	N/A	£46.97

Sold individually



NAV NO.	DESCRIPTION	FINISH	UNIT
4305	Dia 5mm Jakob wire guide kit 3m length 30mm thread	N/A	£119.82
6374	Dia 5mm Jakob wire guide kit 4m length 60mm thread	N/A	£131.10
4306	Dia 5mm Jakob wire guide kit 6.5m length 60mm thread	N/A	£164.94

Sold as a pair

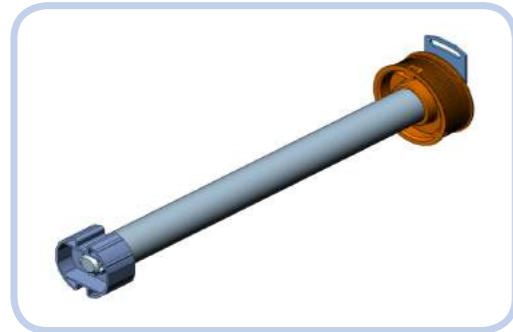


# TESS™ 140

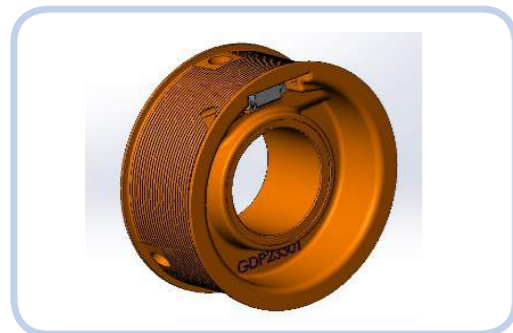
## Motor assemblies and spring cassette assemblies

### MOTOR ASSEMBLIES

- Motors are supplied as a complete assembly with cable drum and mounting adaptors for quick and easy replacement.
- Motors that were installed on TESS™ systems before 2002 may require additional adaptors so please inform our sales department when placing your order (refer to technical document TD56).



NAV NO.	DESCRIPTION	FINISH	UNIT
5357	Type 5 motor and bracket s/assy – Standard motor 230V AC	N/A	£184.21
5358	Type 5 motor and bracket s/assy – Standard motor 110V AC	N/A	£212.21
5359	Type 5 motor and bracket s/assy – Radio motor 230V AC	N/A	£278.24
5360	Type 5 motor and bracket s/assy – Radio motor 110V AC	N/A	£263.68



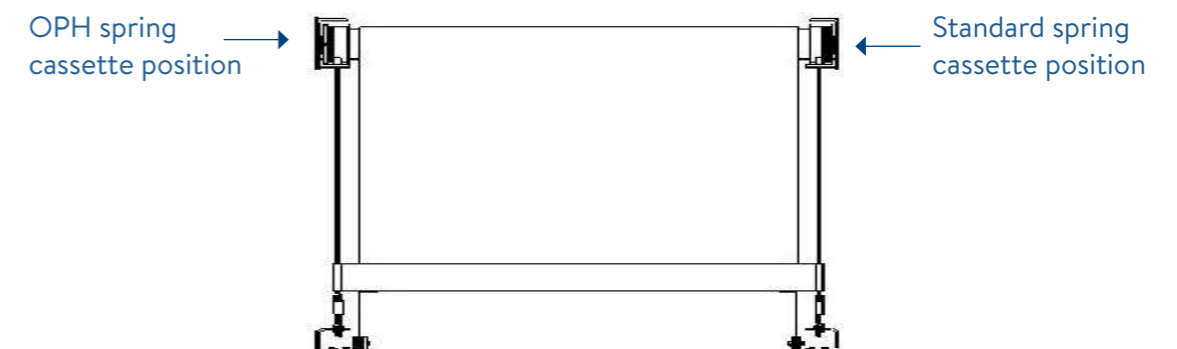
NAV NO.	DESCRIPTION	FINISH	UNIT
6745	Motor cable spool s/assy	Black	£38.15
7865	To be supplied with replacement Simu Motor Limit Collar	Black	£8.39

### SPRING CASSETTE ASSEMBLIES

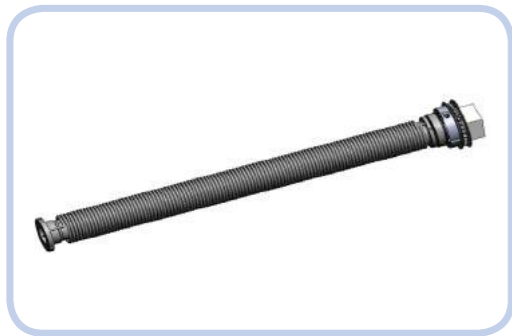
- Tension springs are only supplied as a complete assembly for quick and easy replacement.
- Four variations of spring cassette are used. They are not interchangeable.
  - Standard and OPH spring cassettes are used on TESS™ systems above 1080mm wide
  - Short and short OPH spring cassettes are only used on systems that are below 1080 wide AND less than 3000mm draw.
- Please refer to diagram below for standard and OPH spring cassette positions. For identification the OPH spring cassettes are sprayed white on the coils.



NAV NO.	DESCRIPTION	FINISH	UNIT
5353	Standard Spring Cassette	N/A	£186.31
5354	OPH (opposite hand) spring cassette	N/A	£189.71
5355	Short spring cassette (standard position)	N/A	£209.32
5356	Short OPH (opposite hand) spring cassette	N/A	£201.84



# TESS™ 200

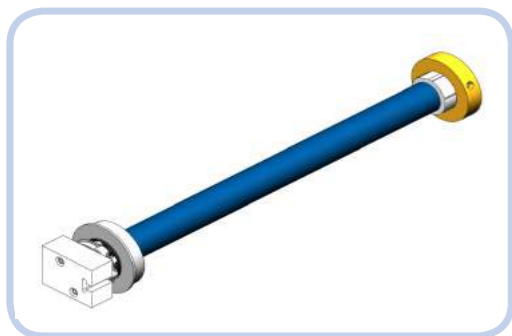


NAV NO.	DESCRIPTION	FINISH	UNIT
3856	T200 spring cassette assy	N/A	£397.38

Spring cassette only supplied as a complete assembly for quick and easy replacement.

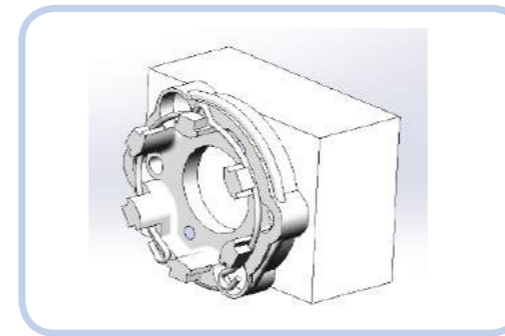


NAV NO.	DESCRIPTION	FINISH	UNIT
5531	T200 gearbox assy	N/A	£110.13

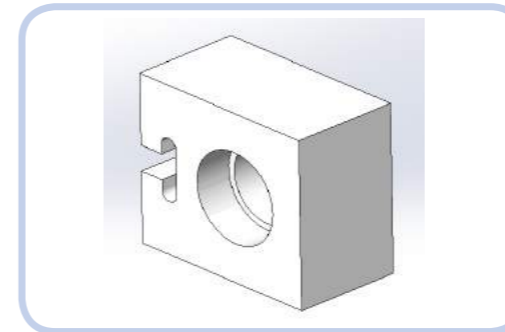


NAV NO.	DESCRIPTION	FINISH	UNIT
6049	T200 Somfy motor assy	White RAL9016	£385.76
	LT50 Hipro manual limits		

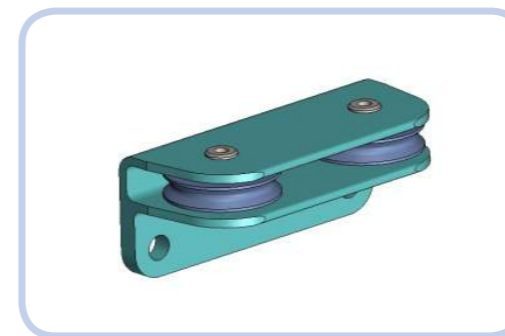
This is suitable as a direct replacement for a T200 system fitted with a Type 6 Simu Motor. The Type 6 Simu Motor is no longer available.



NAV NO.	DESCRIPTION	FINISH	UNIT
5102	Motor mounting assy	N/A	£40.13
	Somfy LT 50 motor only		

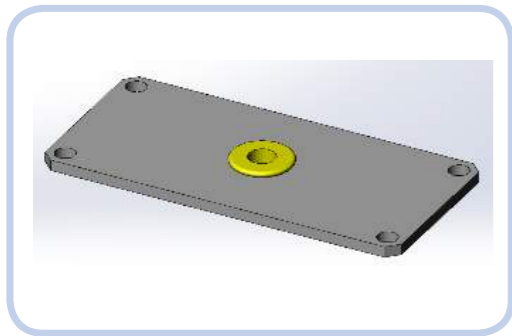


NAV NO.	DESCRIPTION	FINISH	UNIT
3627	Bearing block	N/A	£40.70
1142	Ball bearing	N/A	

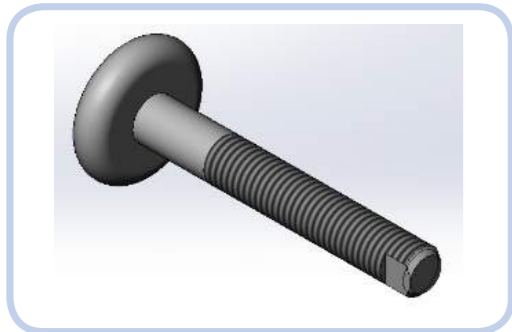


NAV NO.	DESCRIPTION	FINISH	UNIT
6653	Twin return pulley assy	Mill	£31.12
6654	Twin return pulley assy	White RAL9016	£31.12

# TESS™ 200



NAV NO.	DESCRIPTION	FINISH	UNIT
7346	End plate assy	Mill	£8.67
3016	M4 x 16 screw (4 OFF REQ)	N/A	£0.79



NAV NO.	DESCRIPTION	FINISH	UNIT
3642	Adjuster screw	N/A	£5.50
2966	M8 plain nut	N/A	

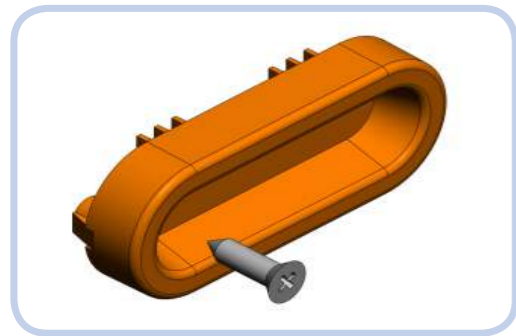


NAV NO.	DESCRIPTION	FINISH	UNIT
3623	1/2" Nickel chain 79 Links (1m) + connecting link	N/A	£63.37
8308	Connecting link	N/A	£5.55

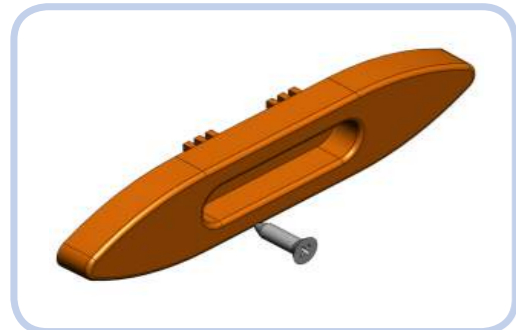


NAV NO.	DESCRIPTION	FINISH	UNIT
4188	Coated wire rope 2.0mm core 2.84mm OD	100m	£121.81
4189	Coated wire rope 2.0mm core 2.84mm OD	200m	£243.61
4190	Coated wire rope 2.0mm core 2.84mm OD	500m	£608.91

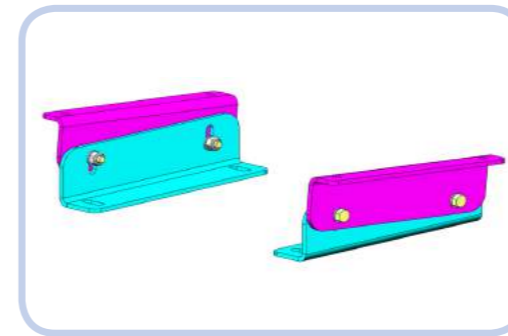
# TESS™ 200



NAV NO.	DESCRIPTION	FINISH	UNIT
5493	Hembar end cap s/assy standard	White	£3.85
5494	Hembar end cap s/assy standard	Black	£3.85



NAV NO.	DESCRIPTION	FINISH	UNIT
5495	Hembar end cap s/assy boat style	White	£3.85
5496	Hembar end cap s/assy boat style	Black	£3.85



NAV NO.	DESCRIPTION	FINISH	UNIT
5266	Tess 200 standard mtg kit	Steel	£66.94

# TESS™ 308

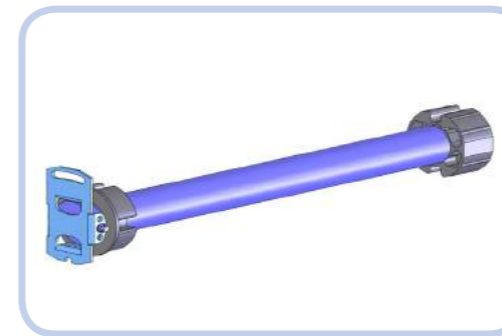


NAV NO.	DESCRIPTION	FINISH	UNIT
6928	Mounting bracket universal	Mill	£21.82
6929	Mounting bracket universal	White RAL9016	£21.82

Specify either top or back fix at time of order

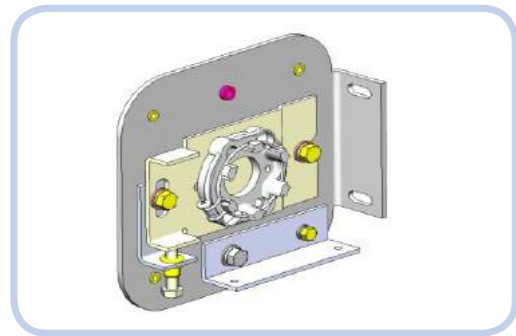
## MOTOR ASSEMBLIES

- Motors are only supplied as a complete assembly with cable drum and mounting adaptors for quick and easy replacement.
- Motors that were installed on TESS™ systems before 2002 may require additional adaptors so please inform our sales department when placing your order.

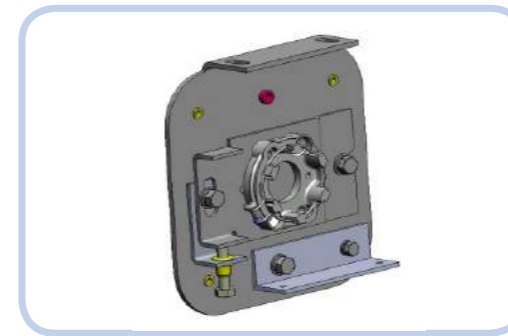


NAV NO.	DESCRIPTION	FINISH	UNIT
4793	Motor type 5 15Nm 17rpm manual limits	N/A	£171.06
4794	Motor type 5 15Nm 17rpm radio HZ02	N/A	£233.24
4795	Motor type 5 15Nm 17rpm manual limits 120V	N/A	£219.75

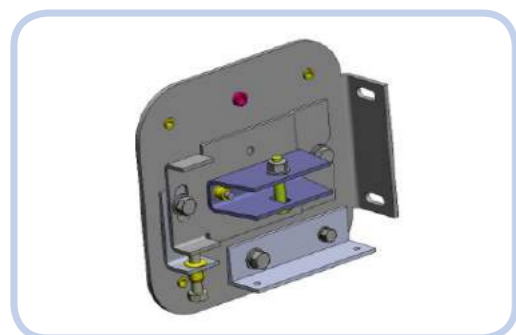
# TESS™ 312



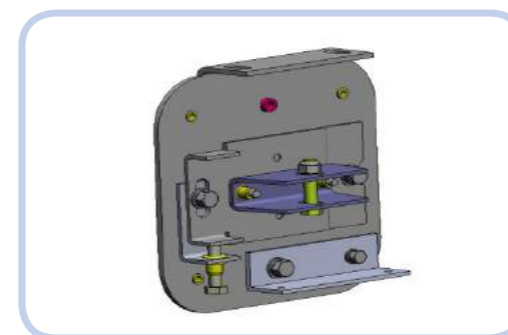
NAV NO.	DESCRIPTION	FINISH	UNIT
5952	Back fix motor mounting bracket LH (guided)	Mill	£101.63
6675	Back fix motor mounting bracket RH (guided)	Mill	£101.63
6676	Back fix motor mounting bracket LH (guided)	White RAL9016	£101.63
6677	Back fix motor mounting bracket RH (guided)	White RAL9016	£101.63



NAV NO.	DESCRIPTION	FINISH	UNIT
5979	Top fix motor mounting bracket LH (guided)	Mill	£108.94
6685	Top fix motor mounting bracket RH (guided)	Mill	£108.94
6686	Top fix motor mounting bracket LH (guided)	White RAL9016	£108.94
6687	Top fix motor mounting bracket RH (guided)	White RAL9016	£108.94



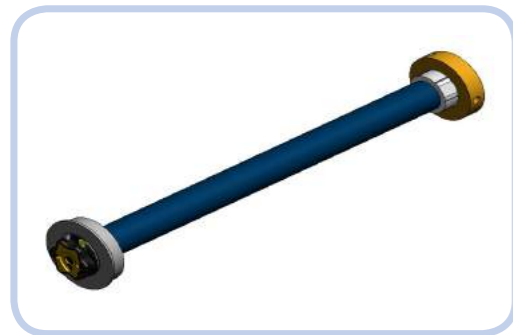
NAV NO.	DESCRIPTION	FINISH	UNIT
5953	Back fix bobbin mtg bracket LH (guided)	Mill	£97.66
6679	Back fix bobbin mtg bracket RH (guided)	Mill	£97.66
6680	Back fix bobbin mtg bracket LH (guided)	White RAL9016	£97.66
6681	Back fix bobbin mtg bracket RH (guided)	White RAL9016	£97.66



NAV NO.	DESCRIPTION	FINISH	UNIT
5980	Top fix bobbin mtg bracket LH (guided)	Mill	£106.05
6682	Top fix bobbin mtg bracket RH (guided)	Mill	£106.05
6683	Top fix bobbin mtg bracket LH (guided)	White RAL9016	£106.05
6684	Top fix bobbin mtg bracket RH (guided)	White RAL9016	£106.05

# TESS™ 312

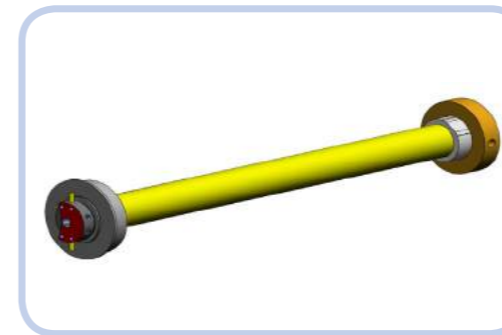
## SOMFY LT50 MOTOR FITTED FROM JULY 2013



NAV NO.	DESCRIPTION	FINISH	UNIT
5955	Somfy LT50 35Nm 17rpm assy manual limits	N/A	£340.59

Motor assy only supplied as a complete assembly for quick and easy replacement.

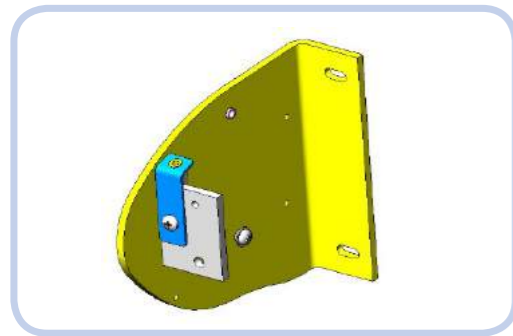
## SIMU TYPE 5 MOTOR FITTED BETWEEN 2002 AND 2013



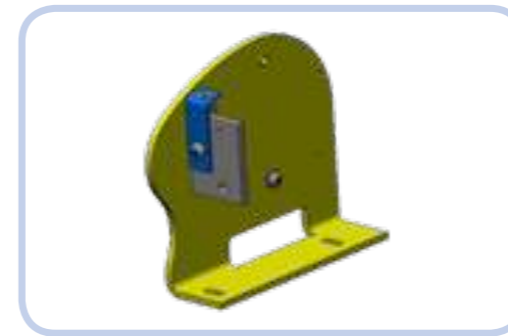
NAV NO.	DESCRIPTION	FINISH	UNIT
5537	Simu Type 5 30Nm 17rpm assy manual limits	N/A	£227.11
5599	Simu Type 5 35Nm 17rpm Assy HZ02 Radio	N/A	£339.74

Motors are only supplied as a complete assembly with mounting adaptors for quick and easy replacement. For motor replacements on systems that were installed before 2002 please contact Guthrie Douglas

# TESS™ 400



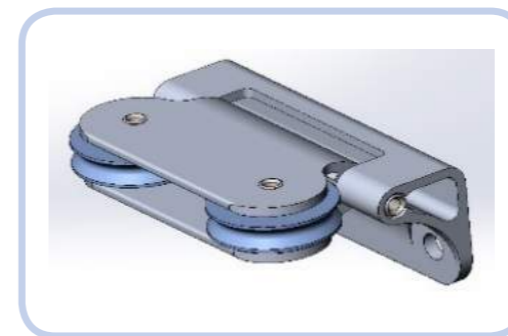
NAV NO.	DESCRIPTION	FINISH	UNIT
8169	Back fix plate assy LH	Mill	£125.32
7101	Back fix plate assy LH	White RAL9016	£125.32
8170	Back fix plate assy RH	Mill	£125.32
7104	Back fix plate assy RH	White RAL9016	£125.32



NAV NO.	DESCRIPTION	FINISH	UNIT
8165	Bottom fix plate assy LH	Mill	£97.89
7099	Bottom fix plate assy LH	White RAL9016	£97.89
8166	Bottom fix plate assy RH	Mill	£97.89
7100	Bottom fix plate assy RH	White RAL9016	£97.89



NAV NO.	DESCRIPTION	FINISH	UNIT
7841	Wire rope 1.2mm core 1.5 OD - 50 metre	N/A	£59.57
4376	Wire rope 1.2mm core 1.5 OD - 100 metre	N/A	£118.69
4377	Wire rope 1.2mm core 1.5 OD - 200 metre	N/A	£237.26
4378	Wire rope 1.2mm core 1.5 OD - 500 metre	N/A	£593.27

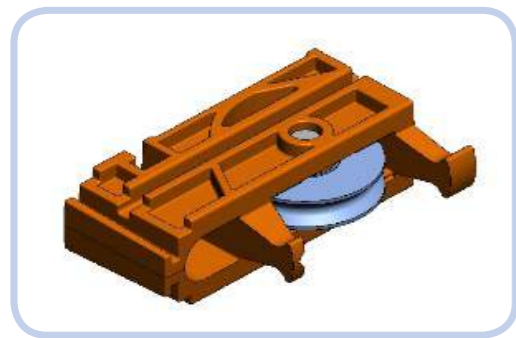


NAV NO.	DESCRIPTION	FINISH	UNIT
7139	Pivoting twin return pulley assy	Mill	£52.49
8211	Pivoting twin return pulley assy	White RAL9016	£52.49

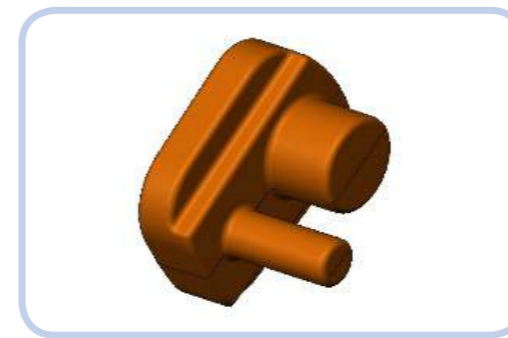


# TESS™ 400

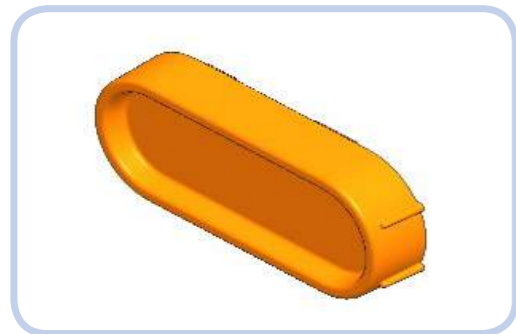
Parts for new hembar – from February 2018



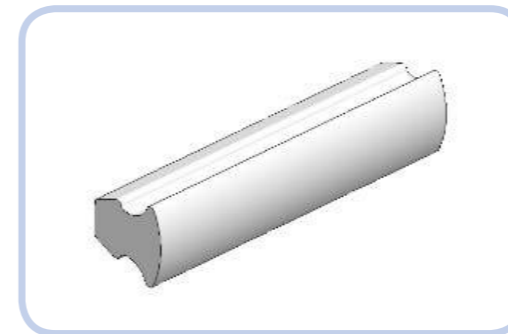
NAV NO.	DESCRIPTION	FINISH	UNIT
8320	Hem bar pulley housing assy	Black	£14.40
3041	Supply with fixing screw		



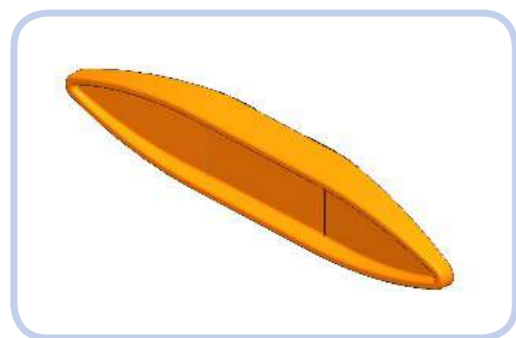
NAV NO.	DESCRIPTION	FINISH	UNIT
8295	Hembar fabric spacer	Black	£0.68
7392	Hembar fabric spacer	White	£0.68



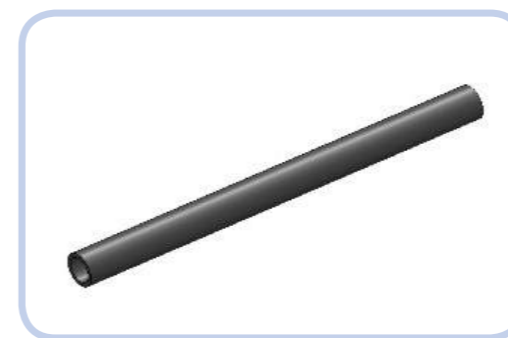
NAV NO.	DESCRIPTION	FINISH	UNIT
8288	Hembar end cap	Black	£3.85
7388	Hembar end cap	White	£3.85



NAV NO.	DESCRIPTION	FINISH	UNIT
8289	Hembar silicone finishing strip (price per 20m coil)	Black	£144.31
7390	Hembar silicone finishing strip (price per 20m coil)	White	£144.31



NAV NO.	DESCRIPTION	FINISH	UNIT
8287	Hembar end cap r/roller	Black	£4.93
7394	Hembar end cap r/roller	White	£4.93



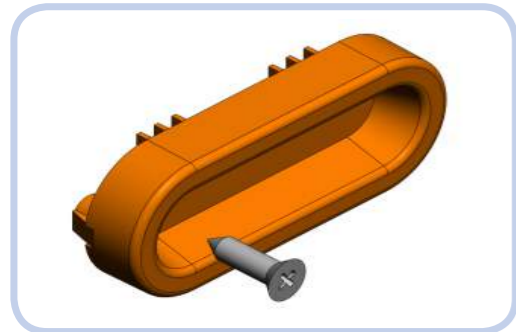
NAV NO.	DESCRIPTION	FINISH	UNIT
5689	Hembar guide cable tube (price per 4m length)	Black	£15.42

# TESS™ 400

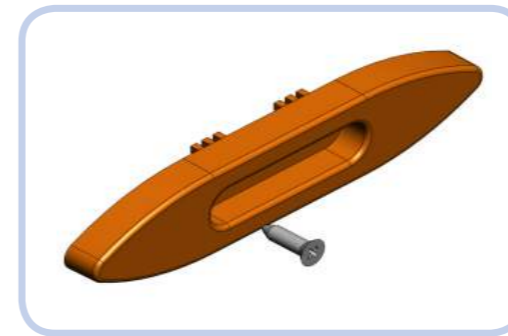
Parts for hembar – pre-February 2018



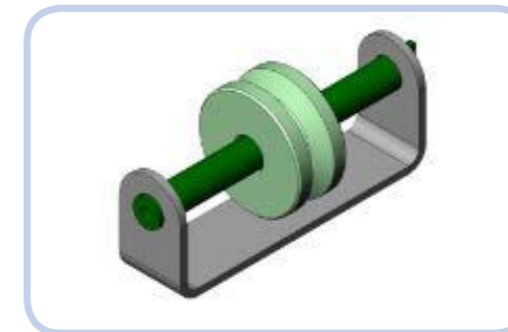
NAV NO.	DESCRIPTION	FINISH	UNIT
4435	Hembar pulley assy	N/A	£18.31



NAV NO.	DESCRIPTION	FINISH	UNIT
5493	Hembar end cap s/assy standard	White	£3.85
5494	Hembar end cap s/assy standard	Black	£3.85



NAV NO.	DESCRIPTION	FINISH	UNIT
5495	Hembar end cap s/assy boat style	White	£3.85
5496	Hembar end cap s/assy boat style	Black	£3.85



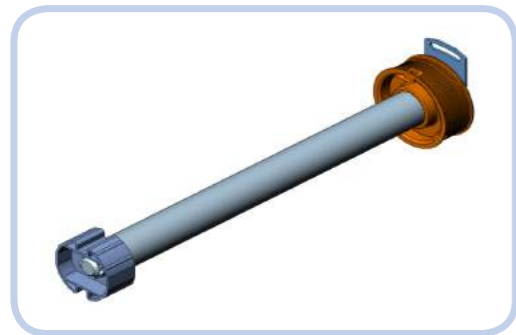
NAV NO.	DESCRIPTION	FINISH	UNIT
4620	Diverting pulley assy	N/A	£37.41

# TESS™ 400

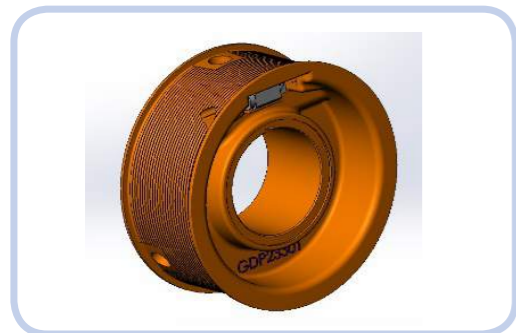
Motor assemblies and spring cassette assemblies

## MOTOR ASSEMBLIES

- Motors are supplied as a complete assembly with cable drum and mounting adaptors for quick and easy replacement.
- Motors that were installed on TESS™ systems before 2002 may require additional adaptors so please inform our sales department when placing your order (refer to technical document TD56).



NAV NO.	DESCRIPTION	FINISH	UNIT
5357	Type 5 motor and bracket s/assy – Standard motor 230V AC	N/A	£184.21
5358	Type 5 motor and bracket s/assy – Standard motor 110V AC	N/A	£212.21
5359	Type 5 motor and bracket s/assy – Radio motor 230V AC	N/A	£278.24
5360	Type 5 motor and bracket s/assy – Radio motor 110V AC	N/A	£263.68



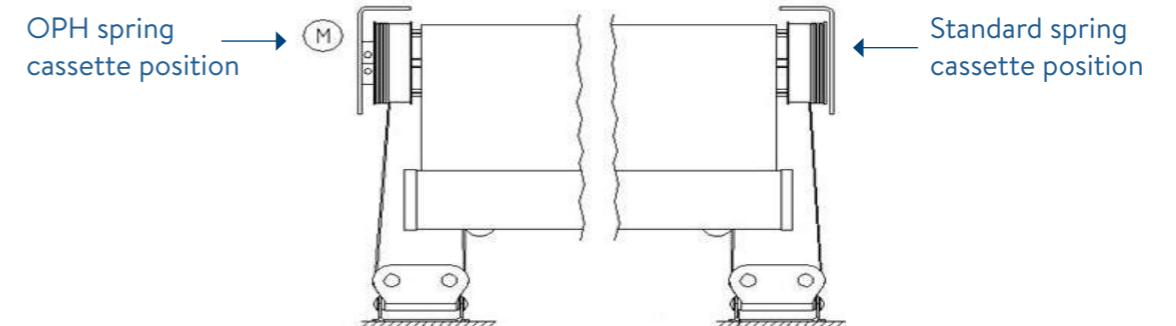
NAV NO.	DESCRIPTION	FINISH	UNIT
6745	Motor cable spool s/assy	Black	£38.15
7865	To be supplied with replacement Simu Motor Limit Collar	Black	£8.39

## SPRING CASSETTE ASSEMBLIES

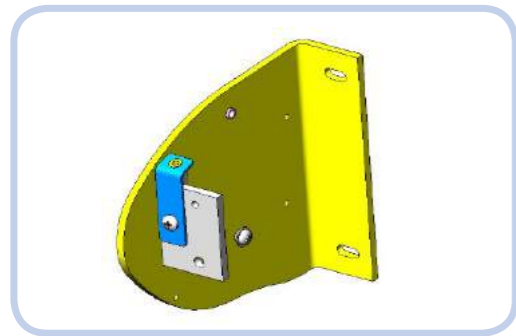
- Tension springs are only supplied as a complete assembly for quick and easy replacement.
- Four variations of spring cassette are used. They are not interchangeable.
  - Standard and OPH spring cassettes are used on TESS™ systems above 1080mm wide
  - Short and short OPH spring cassettes are only used on systems that are below 1080 wide AND less than 3000mm draw.
- Please refer to diagram below for standard and OPH spring cassette positions. For identification the OPH spring cassettes are sprayed white on the coils.



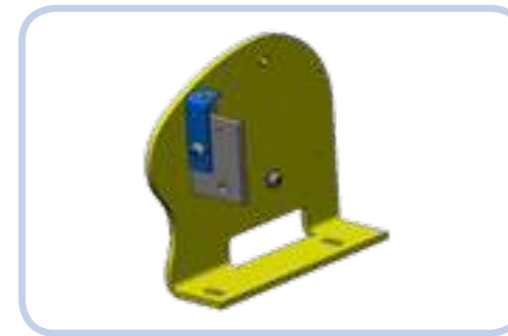
NAV NO.	DESCRIPTION	FINISH	UNIT
5353	Standard Spring Cassette	N/A	£18631
5354	OPH (opposite hand) spring cassette	N/A	£18971
5355	Short spring cassette (standard position)	N/A	£209.32
5356	Short OPH (opposite hand) spring cassette	N/A	£201.84



# TESS™ 401



NAV NO.	DESCRIPTION	FINISH	UNIT
8169	Back fix plate assy LH	Mill	£125.32
7101	Back fix plate assy LH	White RAL9016	£125.32
8170	Back fix plate assy RH	Mill	£125.32
7104	Back fix plate assy RH	White RAL9016	£125.32



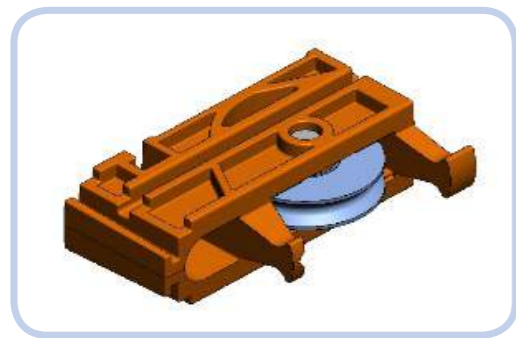
NAV NO.	DESCRIPTION	FINISH	UNIT
8165	Bottom fix plate assy LH	Mill	£97.89
7099	Bottom fix plate assy LH	White RAL9016	£97.89
8166	Bottom fix plate assy RH	Mill	£97.89
7100	Bottom fix plate assy RH	White RAL9016	£97.89



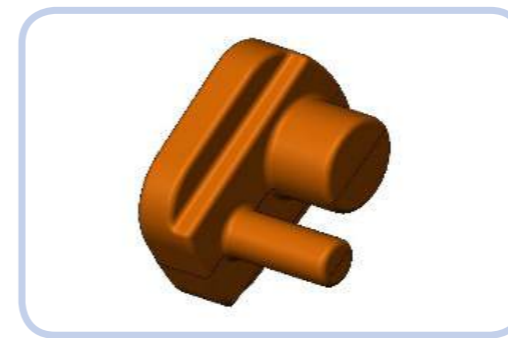
NAV NO.	DESCRIPTION	FINISH	UNIT
7841	Wire rope 1.2mm core 1.5 OD - 50 metre	N/A	£59.57
4376	Wire rope 1.2mm core 1.5 OD - 100 metre	N/A	£118.69
4377	Wire rope 1.2mm core 1.5 OD - 200 metre	N/A	£237.26
4378	Wire rope 1.2mm core 1.5 OD - 500 metre	N/A	£593.27

# TESS™ 401

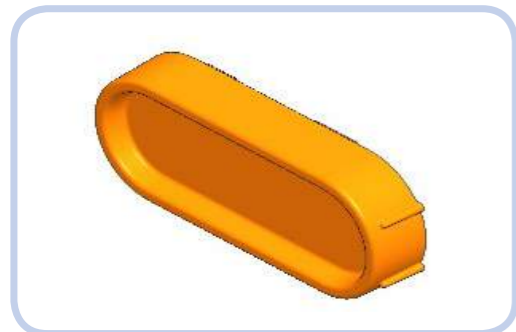
Parts for new hembar – from February 2018



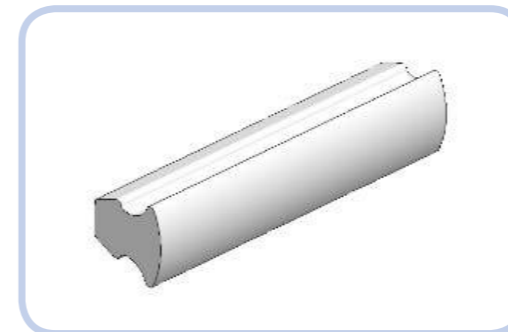
NAV NO.	DESCRIPTION	FINISH	UNIT
8320	Hembar pulley housing assy	Black	£14.40
3041	Supply with fixing screw		



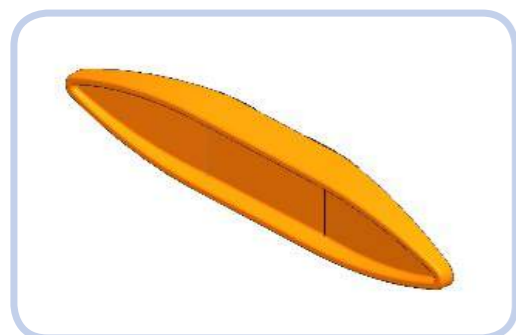
NAV NO.	DESCRIPTION	FINISH	UNIT
8295	Hembar fabric spacer	Black	£0.68
7392	Hem bar fabric spacer	White	£0.68



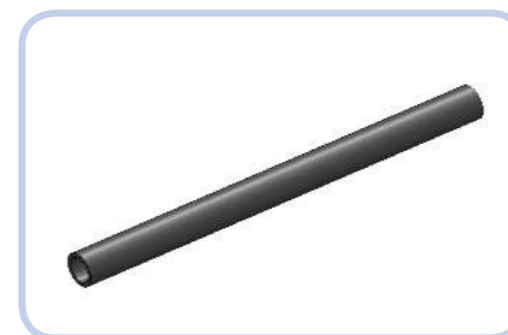
NAV NO.	DESCRIPTION	FINISH	UNIT
8288	Hembar end cap	Black	£3.85
7388	Hembar end cap	White	£3.85



NAV NO.	DESCRIPTION	FINISH	UNIT
8289	Hembar silicone finishing strip (price per 20m coil)	Black	£144.31
7390	Hembar silicone finishing strip (price per 20m coil)	White	£144.31



NAV NO.	DESCRIPTION	FINISH	UNIT
8287	Hembar end cap r/roller	Black	£4.93
7394	Hembar end cap r/roller	White	£4.93



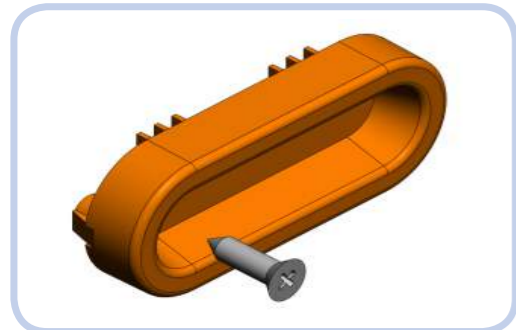
NAV NO.	DESCRIPTION	FINISH	UNIT
5689	Hembar guide cable tube (price per 4m length)	Black	£15.42

# TESS™ 401

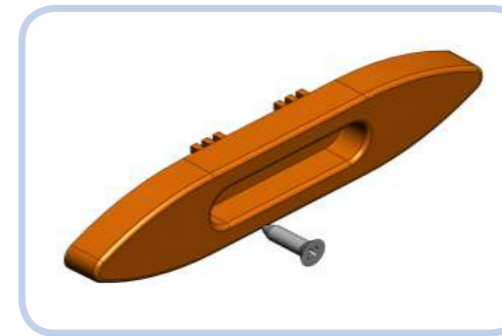
Parts for hembar – pre-February 2018



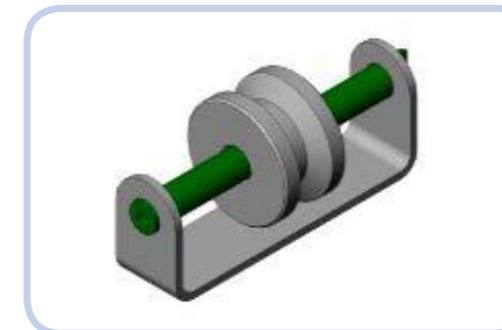
NAV NO.	DESCRIPTION	FINISH	UNIT
4435	Hembar pulley assy	N/A	£18.31



NAV NO.	DESCRIPTION	FINISH	UNIT
5493	Hembar end cap s/assy standard	White	£3.85
5494	Hembar end cap s/assy standard	Black	£3.85



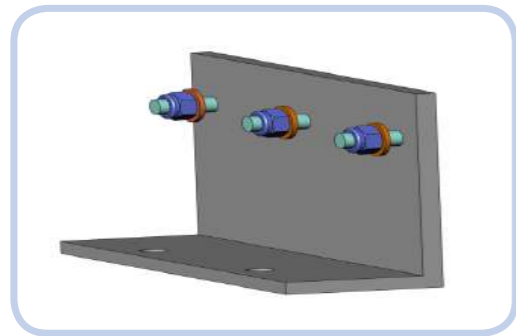
NAV NO.	DESCRIPTION	FINISH	UNIT
5495	Hembar end cap s/assy boat style	White	£3.85
5496	Hembar end cap s/assy boat style	Black	£3.85



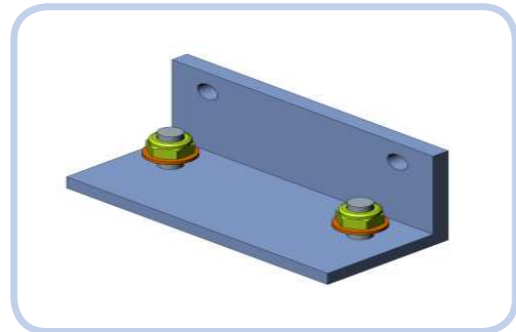
NAV NO.	DESCRIPTION	FINISH	UNIT
4620	Diverting pulley assy	N/A	£37.41

# TESS™ 401

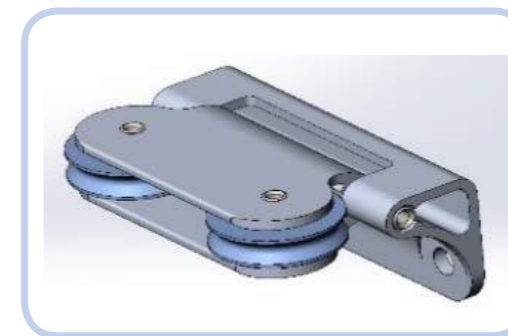
Parts for hembar – pre-February 2018



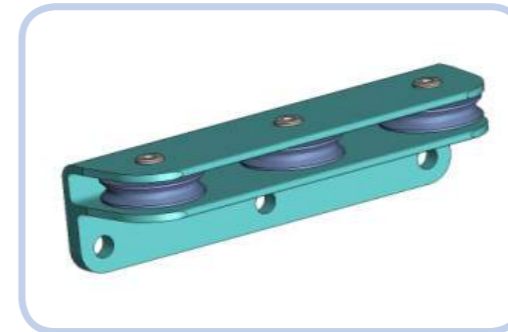
NAV NO.	DESCRIPTION	FINISH	UNIT
3933	Triple return pulley mounting bracket assy 102x50	Mill	£15.42
3934	Triple return pulley mounting bracket assy 102x50	White RAL9016	£15.42



NAV NO.	DESCRIPTION	FINISH	UNIT
3772	Twin return pulley mounting bracket assy 50x50	Mill	£13.04
3773	Twin return pulley mounting bracket assy 50x50	White RAL9016	£13.04



NAV NO.	DESCRIPTION	FINISH	UNIT
7139	Pivoting twin return pulley assy	Mill	£52.49
8211	Pivoting twin return pulley assy	White RAL9016	£52.49



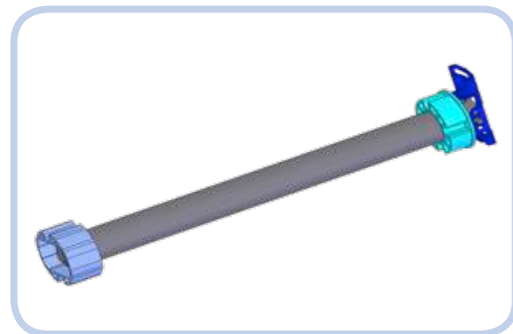
NAV NO.	DESCRIPTION	FINISH	UNIT
6655	Triple return pulley assy	Mill	£40.64
6656	Triple return pulley assy	White RAL9016	£40.64

# TESS™ 401

## Motor assemblies and spring cassette assemblies

### MOTOR ASSEMBLIES

- Motors are only supplied as a complete assembly with cable drum and mounting adaptors for quick and easy replacement.
- Motors that were installed on TESS™ systems before 2002 may require additional adaptors so please inform our sales department when placing your order (refer to technical document TD56).



NAV NO.	DESCRIPTION	FINISH	UNIT
4793	Standard wired motor assembly – 230V AC	N/A	£171.06
4794	Radio motor assembly – 230V AC	N/A	£233.24
4795	Standard wired motor assembly – 110V AC	N/A	£106.39

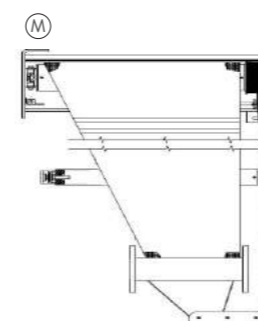
### SPRING CASSETTE ASSEMBLIES

- Tension springs are only supplied as a complete assembly for quick and easy replacement.
- Four variations of spring cassette are used. They are not interchangeable.
  - Standard and OPH spring cassettes are used on TESS™ systems above 1080mm wide
  - Short and short OPH spring cassettes are only used on systems that are below 1080 wide AND less than 3000mm draw.
- Please refer to diagram below for standard and OPH spring cassette positions. For identification the OPH spring cassettes are sprayed white on the coils.



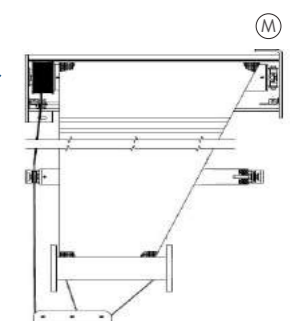
\*Please specify when ordering that spring cassette is for TESS™ 401

NAV NO.	DESCRIPTION	FINISH	UNIT
5353*	Standard spring cassette	N/A	£186.31
5354*	OPH (opposite hand) spring cassette	N/A	£189.71
5355*	Short spring cassette (standard position)	N/A	£209.32
5356*	Short OPH (opposite hand) spring cassette	N/A	£201.84
3447	1.2 mm copper end stop	N/A	£1.13



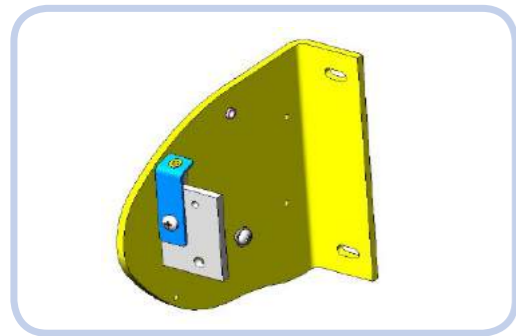
Standard spring cassette position

OPH spring cassette position

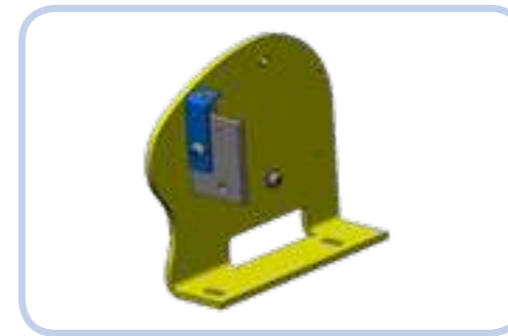




# TESS™ 402



NAV NO.	DESCRIPTION	FINISH	UNIT
8169	Back fix plate assy LH	Mill	£125.32
7101	Back fix plate assy LH	White RAL9016	£125.32
8170	Back fix plate assy RH	Mill	£125.32
7104	Back fix plate assy RH	White RAL9016	£125.32



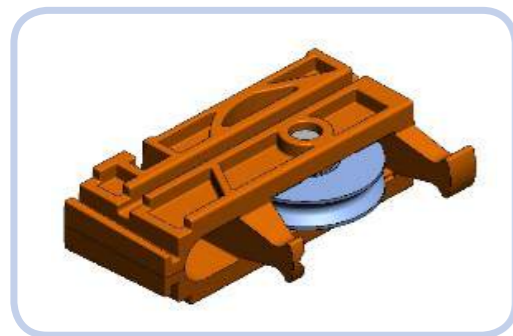
NAV NO.	DESCRIPTION	FINISH	UNIT
8165	Bottom fix plate assy LH	Mill	£97.89
7099	Bottom fix plate assy LH	White RAL9016	£97.89
8166	Bottom fix plate assy RH	Mill	£97.89
7100	Bottom fix plate assy RH	White RAL9016	£97.89



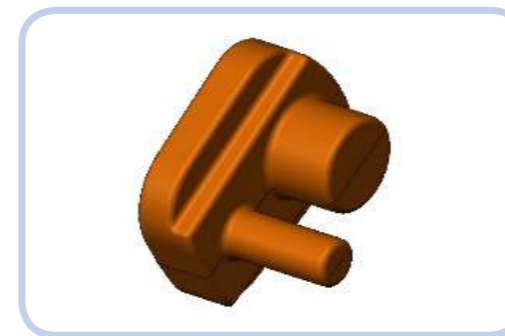
NAV NO.	DESCRIPTION	FINISH	UNIT
7841	Wire rope 1.2mm core 1.5 OD - 50 metre	N/A	£59.57
4376	Wire rope 1.2mm core 1.5 OD - 100 metre	N/A	£118.69
4377	Wire rope 1.2mm core 1.5 OD - 200 metre	N/A	£232.26
4378	Wire rope 1.2mm core 1.5 OD - 500 metre	N/A	£593.27

# TESS™ 402

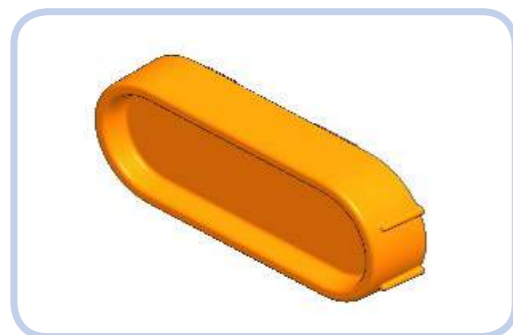
Parts for new hembar – from February 2018



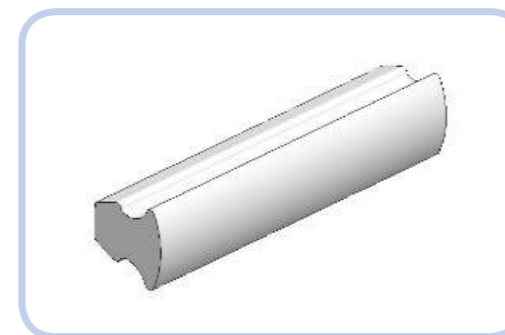
NAV NO.	DESCRIPTION	FINISH	UNIT
8320	Hembar pulley housing assy	Black	£14.40
3041	Supply with fixing screw		



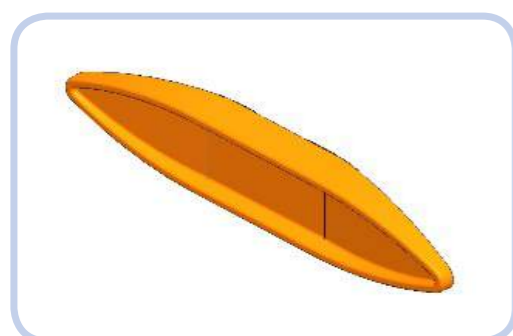
NAV NO.	DESCRIPTION	FINISH	UNIT
8295	Hembar fabric spacer	Black	£0.68
7392	Hembar fabric spacer	White	£0.68



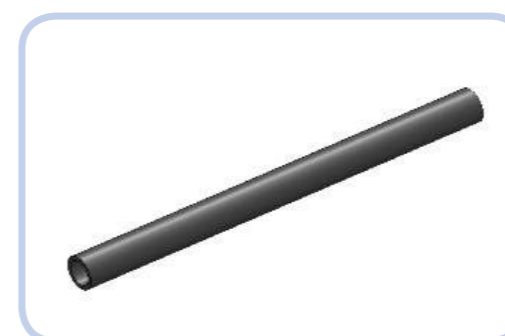
NAV NO.	DESCRIPTION	FINISH	UNIT
8288	Hembar end cap	Black	£3.85
7388	Hembar end cap	White	£3.85



NAV NO.	DESCRIPTION	FINISH	UNIT
8289	Hembar silicone finishing strip (price per 20m coil)	Black	£144.31
7390	Hembar silicone finishing strip (price per 20m coil)	White	£144.31



NAV NO.	DESCRIPTION	FINISH	UNIT
8287	Hembar end cap r/roller	Black	£4.93
7394	Hembar end cap r/roller	White	£4.93



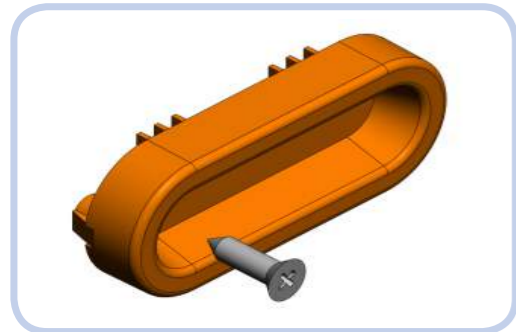
NAV NO.	DESCRIPTION	FINISH	UNIT
5689	Hembar guide cable tube (price per 4m length)	Black	£15.42

# TESS™ 402

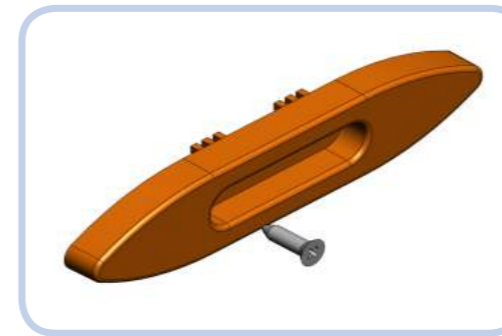
Parts for hembar – pre-February 2018



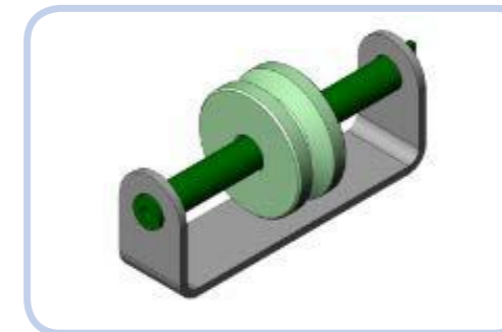
NAV NO.	DESCRIPTION	FINISH	UNIT
4435	Hembar pulley assy	N/A	£18.31



NAV NO.	DESCRIPTION	FINISH	UNIT
5493	Hembar end cap s/assy standard	White	£3.85
5494	Hembar end cap s/assy standard	Black	£3.85



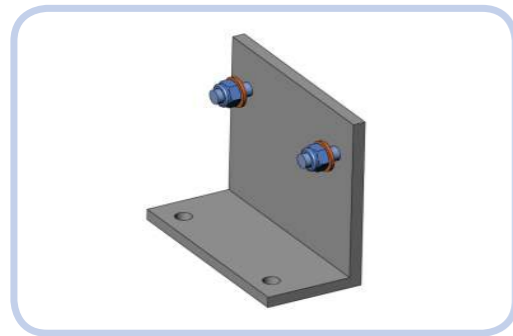
NAV NO.	DESCRIPTION	FINISH	UNIT
5495	Hembar end cap s/assy boat style	White	£3.85
5496	Hembar end cap s/assy boat style	Black	£3.85



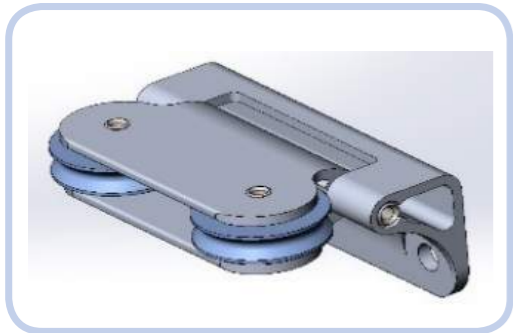
NAV NO.	DESCRIPTION	FINISH	UNIT
4620	Diverting pulley assy	N/A	£37.41

# TESS™ 402

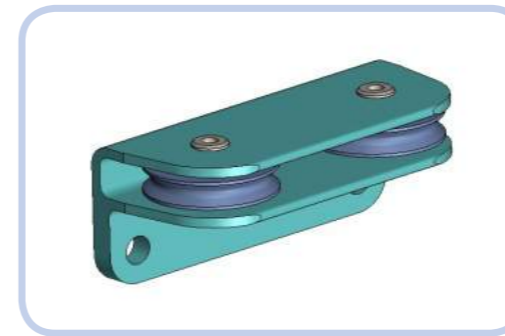
Parts for hembar – pre-February 2018



NAV NO.	DESCRIPTION	FINISH	UNIT
3944	Bottom fix mtg bracket assy for Tess 402 102x50	Mill	£14.68
3945	Bottom fix mtg bracket assy for Tess 402 102x50	White RAL9016	£14.68



NAV NO.	DESCRIPTION	FINISH	UNIT
7139	Pivoting twin return pulley assy	Mill	£52.49
8211	Pivoting twin return pulley assy	White RAL9016	£52.49

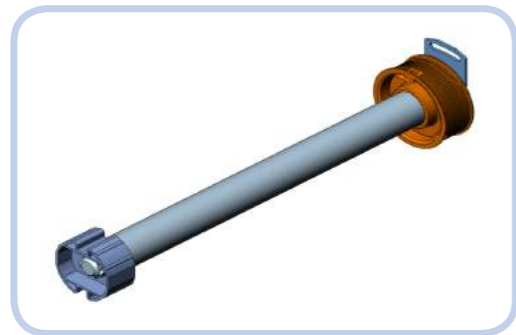


NAV NO.	DESCRIPTION	FINISH	UNIT
6653	Twin diverting pulley assy	Mill	£31.12
6654	Twin diverting pulley assy	White RAL9016	£31.12

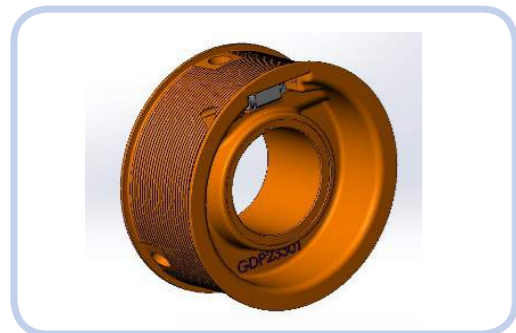
# TESS™ 402

## MOTOR ASSEMBLIES

- Motors are supplied as a complete assembly with cable drum and mounting adaptors for quick and easy replacement.
- Motors that were installed on TESS™ systems before 2002 may require additional adaptors so please inform our sales department when placing your order (refer to technical document TD56).



NAV NO.	DESCRIPTION	FINISH	UNIT
5357	Type 5 motor and bracket s/assy – Standard motor 230V AC	N/A	£184.21
5358	Type 5 motor and bracket s/assy – Standard motor 110V AC	N/A	£212.44
5359	Type 5 motor and bracket s/assy – Radio motor 230V AC	N/A	£278.24
5360	Type 5 motor and bracket s/assy – Radio motor 110V AC	N/A	£263.68



NAV NO.	DESCRIPTION	FINISH	UNIT
6745	Motor cable spool s/assy	Black	£38.15
7865	To be supplied with replacement Simu Motor Limit Collar	Black	£8.39

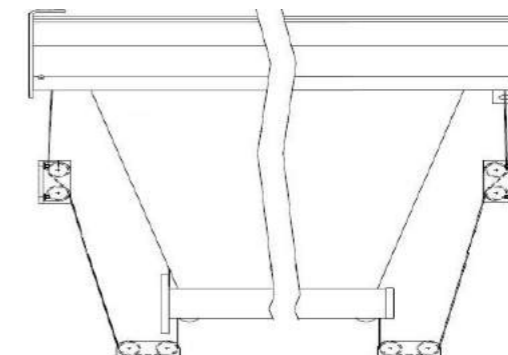
## SPRING CASSETTE ASSEMBLIES

- Tension springs are only supplied as a complete assembly for quick and easy replacement.
- Four variations of spring cassette are used. They are not interchangeable.
  - Standard and OPH spring cassettes are used on TESS™ systems above 1080mm wide
  - Short and short OPH spring cassettes are only used on systems that are below 1080 wide AND less than 3000mm draw.
  - Please refer to diagram below for standard and OPH spring cassette positions. For identification the OPH spring cassettes are sprayed white on the coils.



NAV NO.	DESCRIPTION	FINISH	UNIT
5353	Standard Spring Cassette	N/A	£186.31
5354	OPH (opposite hand) spring cassette	N/A	£189.71
5355	Short spring cassette (standard position)	N/A	£209.32
5356	Short OPH (opposite hand) spring cassette	N/A	£201.84

OPH spring cassette position →

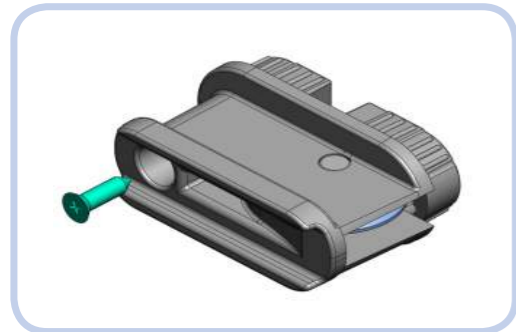


← Standard spring cassette position

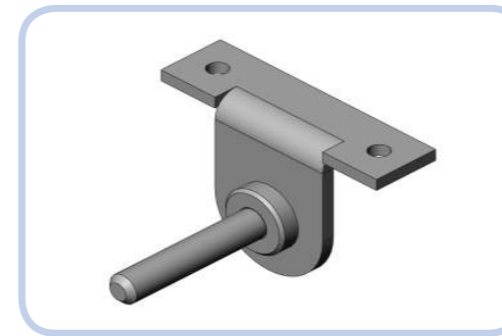
# TESS™ 420



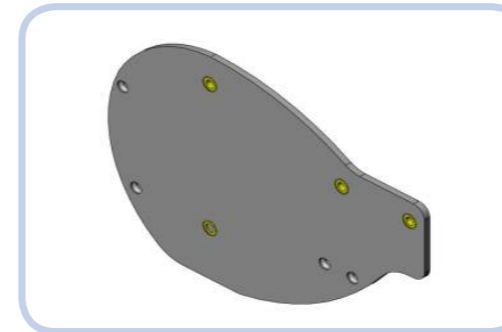
NAV NO.	DESCRIPTION	FINISH	UNIT
5497	Return pulley assy LH	Black	£18.19
5498	Return pulley assy RH	Black	£18.19



NAV NO.	DESCRIPTION	FINISH	UNIT
5499	Hembar end cap s/assy LH	Black	£14.85
5500	Hembar end cap s/assy RH	Black	£14.85

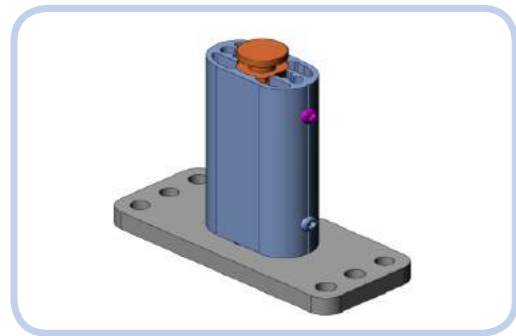


NAV NO.	DESCRIPTION	FINISH	UNIT
4615	Relieving roller bracket assy	Mill	£29.81
4617	Relieving roller bracket assy	White RAL 9016	£29.81



NAV NO.	DESCRIPTION	FINISH	UNIT
8167	T420 end plate assy LH	Mill	£49.77
7088	T420 end plate assy LH	White RAL 9016	£49.77
8168	T420 end plate assy RH	Mill	£49.77
7089	T420 end plate assy RH	White RAL 9016	£49.77

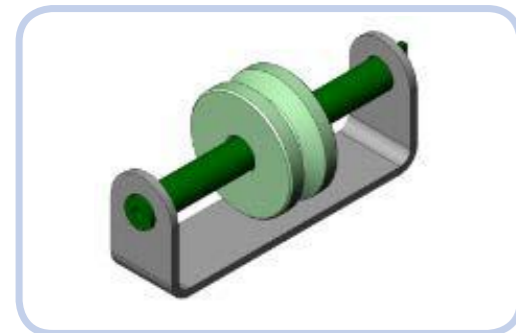
# TESS™ 420



NAV NO.	DESCRIPTION	FINISH	UNIT
4095	One foot mounting kit standard length 86mm	Mill	£18.02
4096	One foot mounting kit standard length 86mm	White RAL 9016	£18.02
4077	One foot mounting kit manufactured to required length	Mill	£18.02
4078	One foot mounting kit manufactured to required length	White RAL 9016	£18.02



NAV NO.	DESCRIPTION	FINISH	UNIT
7841	Wire rope 1.2mm core 1.5 OD - 50 metre	N/A	£59.57
4376	Wire rope 1.2mm core 1.5 OD - 100 metre	N/A	£118.69
4377	Wire rope 1.2mm core 1.5 OD - 200 metre	N/A	£237.26
4378	Wire rope 1.2mm core 1.5 OD - 500 metre	N/A	£593.27



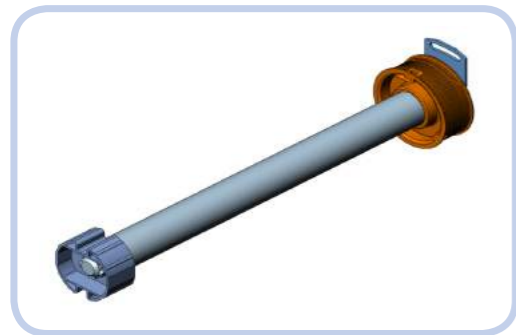
NAV NO.	DESCRIPTION	FINISH	UNIT
4620	Diverting pulley assy	N/A	£37.41

# TESS™ 420

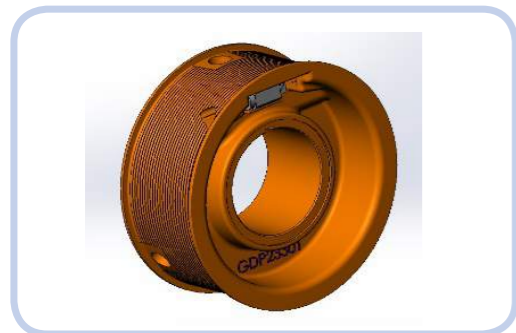
## Motor assemblies and spring cassette assemblies

### MOTOR ASSEMBLIES

- Motors are supplied as a complete assembly with cable drum and mounting adaptors for quick and easy replacement.
- Motors that were installed on TESS™ systems before 2002 may require additional adaptors so please inform our sales department when placing your order (refer to technical document TD56).



NAV NO.	DESCRIPTION	FINISH	UNIT
5357	Type 5 motor and bracket s/assy – Standard motor 230V AC	N/A	£184.21
5358	Type 5 motor and bracket s/assy – Standard motor 110V AC	N/A	£212.21
5359	Type 5 motor and bracket s/assy – Radio motor 230V AC	N/A	£278.24
5360	Type 5 motor and bracket s/assy – Radio motor 110V AC	N/A	£263.68



NAV NO.	DESCRIPTION	FINISH	UNIT
6745	Motor cable spool s/assy	Black	£38.15
7865	To be supplied with replacement Simu Motor Limit Collar	Black	£8.39

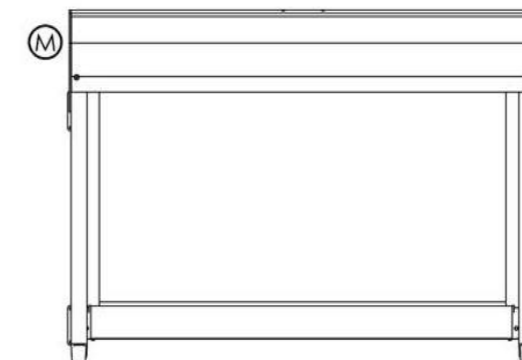
### SPRING CASSETTE ASSEMBLIES

- Tension springs are only supplied as a complete assembly for quick and easy replacement.
- Four variations of spring cassette are used. They are not interchangeable.
  - Standard and OPH spring cassettes are used on TESS™ systems above 1080mm wide
  - Short and short OPH spring cassettes are only used on systems that are below 1080 wide AND less than 3000mm draw.
  - Please refer to diagram below for standard and OPH spring cassette positions. For identification the OPH spring cassettes are sprayed white on the coils.



NAV NO.	DESCRIPTION	FINISH	UNIT
5353	Standard Spring Cassette	N/A	£186.31
5354	OPH (opposite hand) spring cassette	N/A	£189.59
5355	Short spring cassette (standard position)	N/A	£209.32
5356	Short OPH (opposite hand) spring cassette	N/A	£201.84

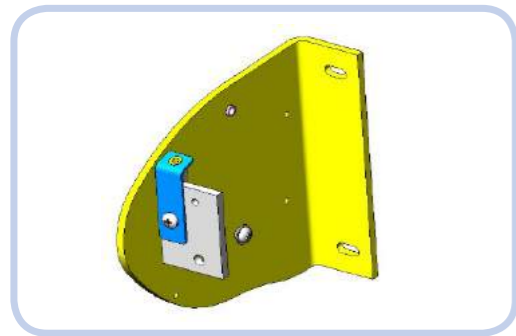
OPH spring cassette position



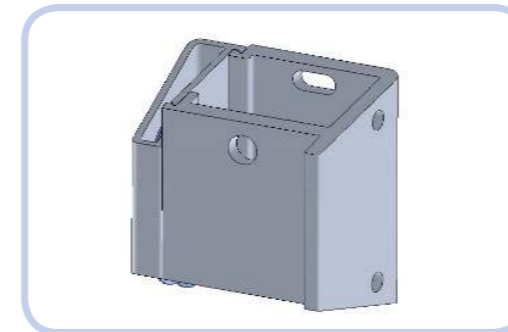
Standard spring cassette position



# TESS™ 440



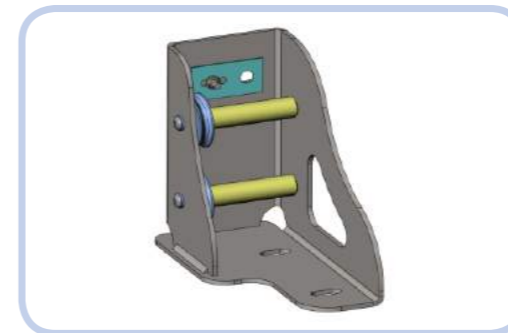
NAV NO.	DESCRIPTION	FINISH	UNIT
8169	Back fix plate assy LH	Mill	£125.32
7101	Back fix plate assy LH	White RAL9016	£125.32
8170	Back fix plate assy RH	Mill	£125.32
7104	Back fix plate assy RH	White RAL9016	£125.32



NAV NO.	DESCRIPTION	FINISH	UNIT
7812	Back/side fix return pulley LH	White RAL9016	£59.40
8324	Back/side fix return pulley RH	White RAL9016	£59.40



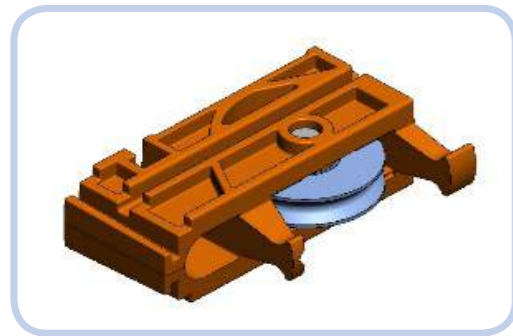
NAV NO.	DESCRIPTION	FINISH	UNIT
8165	Bottom fix plate assy LH	Mill	£97.89
7099	Bottom fix plate assy LH	White RAL9016	£97.89
8166	Bottom fix plate assy RH	Mill	£97.89
7100	Bottom fix plate assy RH	White RAL9016	£97.89



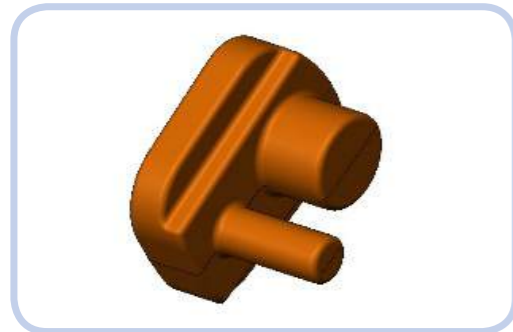
NAV NO.	DESCRIPTION	FINISH	UNIT
4454	T440 return pulley assy LH bottom fix	Stainless steel	£164.83
4455	T440 return pulley assy RH bottom fix	Stainless steel	£164.83

# TESS™ 440

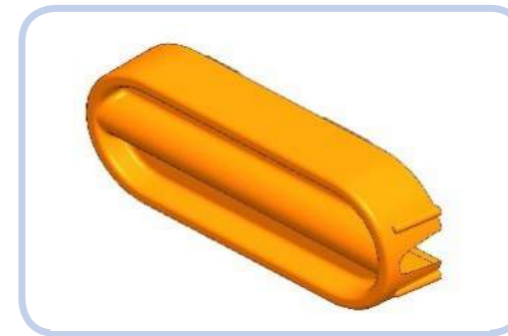
Parts for new hembar – from February 2018



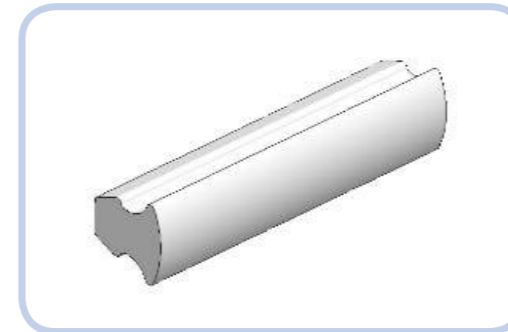
NAV NO.	DESCRIPTION	FINISH	UNIT
8320	Hembar pulley housing assy	Black	£14.40



NAV NO.	DESCRIPTION	FINISH	UNIT
8286	Hembar fabric spacer	Black	£0.68
7391	Hembar fabric spacer	White	£0.68



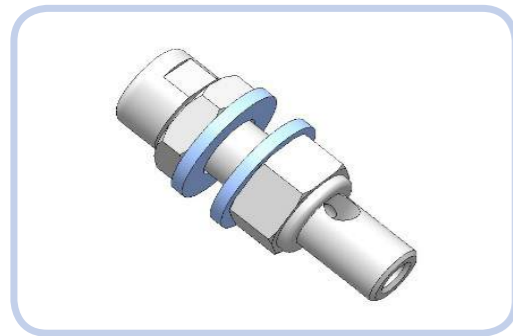
NAV NO.	DESCRIPTION	FINISH	UNIT
8224	Hembar end cap	Black	£2.10
7387	Hembar end cap	White	£2.10



NAV NO.	DESCRIPTION	FINISH	UNIT
8289	Hembar silicone finishing strip (price per 20m coil)	Black	£144.31
7390	Hembar silicone finishing strip (price per 20m coil)	White	£144.31

# TESS™ 440

Parts for new system – from February 2018



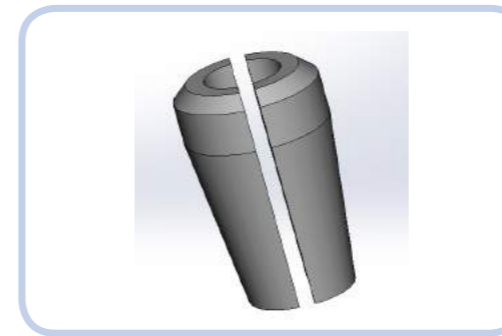
NAV NO.	DESCRIPTION	FINISH	UNIT
7840	5mm cable tensioner	N/A	£22.73

Sold individually



NAV NO.	DESCRIPTION	FINISH	UNIT
7653	Dia 5mm GD wire guide kit 3m length 30mm thread	N/A	£105.20
7654	Dia 5mm GD wire guide kit 4.0m length 60mm thread	N/A	£115.97
8338	Dia 5mm GD wire guide kit 6.5m length 60mm thread	N/A	£156.55

Sold as a pair



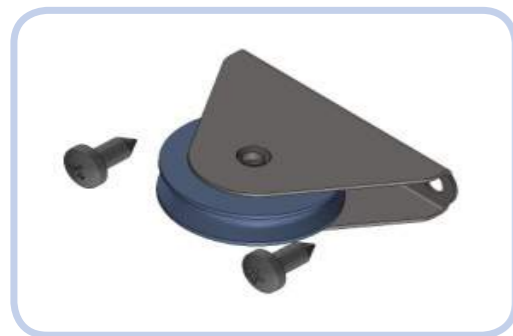
NAV NO.	DESCRIPTION	FINISH	UNIT
8340	Guide cable collet	N/A	£7.60



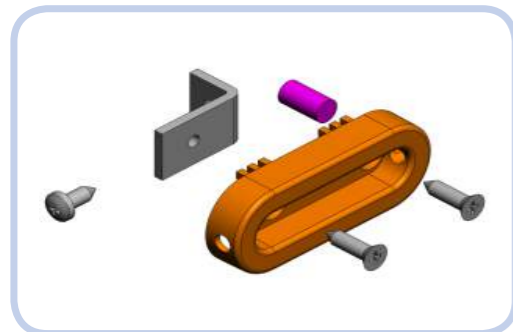
NAV NO.	DESCRIPTION	FINISH	UNIT
7841	Wire rope 1.2mm core 1.5 OD – 50 metre	N/A	£59.57
4376	Wire rope 1.2mm core 1.5 OD – 100 metre	N/A	£118.69
4377	Wire rope 1.2mm core 1.5 OD – 200 metre	N/A	£237.26
4378	Wire rope 1.2mm core 1.5 OD – 500 metre	N/A	£593.27

# TESS™ 440

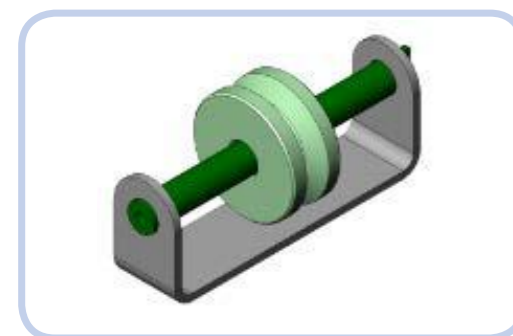
Parts for system – pre-February 2018



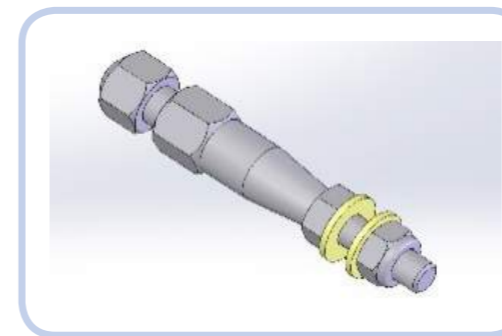
NAV NO.	DESCRIPTION	FINISH	UNIT
4435	Hembar pulley assy	N/A	£18.31



NAV NO.	DESCRIPTION	FINISH	UNIT
4433	Hembar end cap assy	Black	£9.30



NAV NO.	DESCRIPTION	FINISH	UNIT
4620	Diverting pulley assy	N/A	£37.41



NAV NO.	DESCRIPTION	FINISH	UNIT
4312	Screwed thread end with 30mm thread	N/A	£38.66
4313	Screwed thread end with 60mm thread	N/A	£45.97

Sold individually



NAV NO.	DESCRIPTION	FINISH	UNIT
4305	Dia 5mm Jakob wire guide kit 3m length 30mm thread	N/A	£119.82
6374	Dia 5mm Jakob wire guide kit 4m length 60mm thread	N/A	£131.10
4306	Dia 5mm Jakob wire guide kit 6.5m length 60mm thread	N/A	£164.94

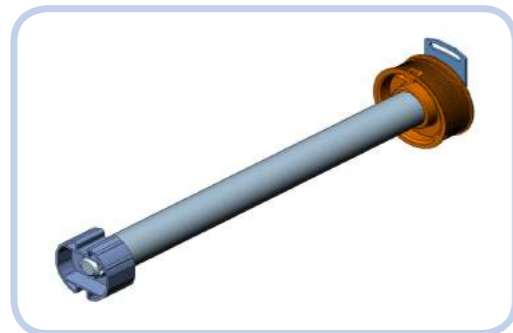
Sold as a pair

# TESS™ 440

## Motor assemblies and spring cassette assemblies

### MOTOR ASSEMBLIES

- Motors are supplied as a complete assembly with cable drum and mounting adaptors for quick and easy replacement.
- Motors that were installed on TESS™ systems before 2002 may require additional adaptors so please inform our sales department when placing your order (refer to technical document TD56).



NAV NO.	DESCRIPTION	FINISH	UNIT
5357	Type 5 motor and bracket s/assy – Standard motor 230V AC	N/A	£184.21
5358	Type 5 motor and bracket s/assy – Standard motor 110V AC	N/A	£212.21
5359	Type 5 motor and bracket s/assy – Radio motor 230V AC	N/A	£278.24
5360	Type 5 motor and bracket s/assy – Radio motor 110V AC	N/A	£263.68



NAV NO.	DESCRIPTION	FINISH	UNIT
6745	Motor cable spool s/assy	Black	£38.15
7865	To be supplied with replacement Simu Motor Limit Collar	Black	£8.39

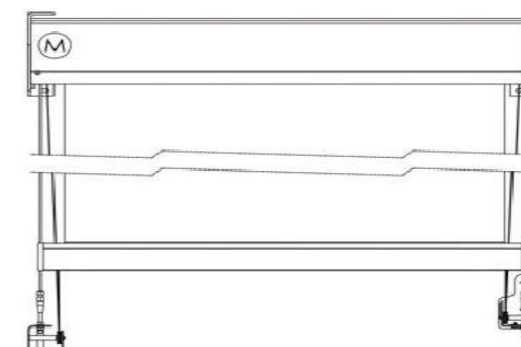
### SPRING CASSETTE ASSEMBLIES

- Tension springs are only supplied as a complete assembly for quick and easy replacement.
- Four variations of spring cassette are used. They are not interchangeable.
  - Standard and OPH spring cassettes are used on TESS™ systems above 1080mm wide
  - Short and short OPH spring cassettes are only used on systems that are below 1080 wide AND less than 3000mm draw.
  - Please refer to diagram below for standard and OPH spring cassette positions. For identification the OPH spring cassettes are sprayed white on the coils.



NAV NO.	DESCRIPTION	FINISH	UNIT
5353	Standard Spring Cassette	N/A	£186.31
5354	OPH (opposite hand) spring cassette	N/A	£189.71
5355	Short spring cassette (standard position)	N/A	£209.32
5356	Short OPH (opposite hand) spring cassette	N/A	£201.84

OPH spring cassette position →

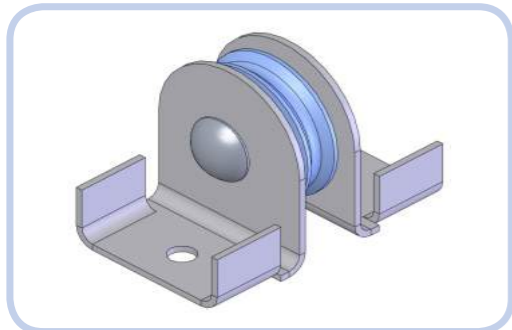


← Standard spring cassette position

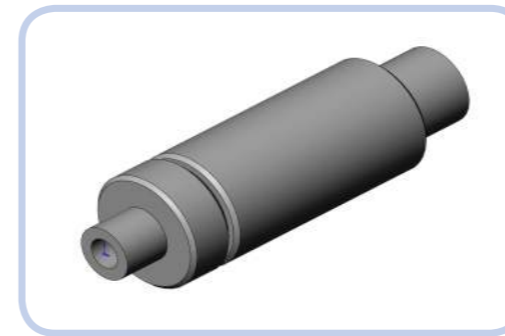
# TESS™ 512



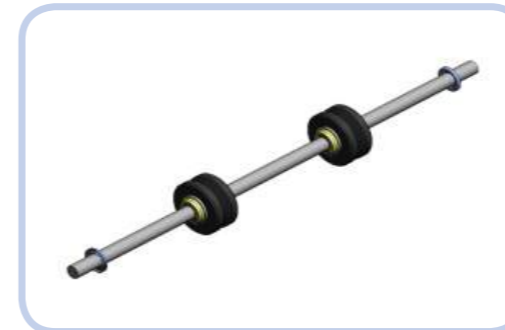
NAV NO.	DESCRIPTION	FINISH	UNIT
5507	Tension spring sub assy	N/A	£12.19



NAV NO.	DESCRIPTION	FINISH	UNIT
4412	Hembar support pulley s/assy	Stainless steel	£29.13

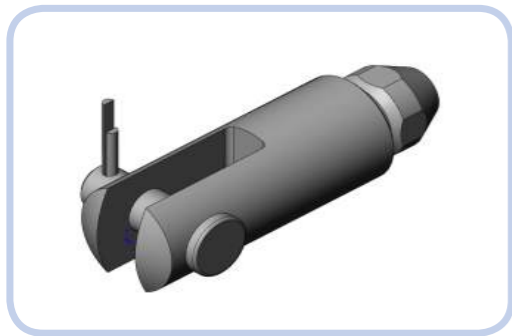


NAV NO.	DESCRIPTION	FINISH	UNIT
3520	Grip lock	N/A	£18.59

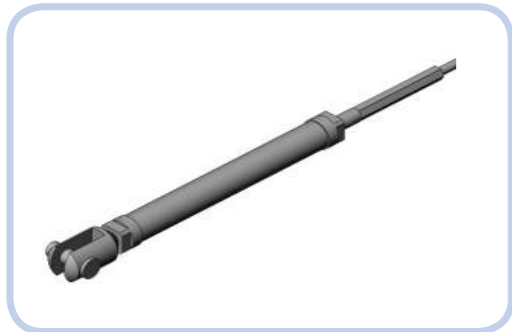


NAV NO.	DESCRIPTION	FINISH	UNIT
5914	Diverting roller s/assy	N/A	£30.10

# TESS™ 512



NAV NO.	DESCRIPTION	FINISH	UNIT
3604	Sta-Lok fork for 5mm diameter s/s wire	N/A	£52.03



NAV NO.	DESCRIPTION	FINISH	UNIT
4239	Dia 5 mm wire rope and turnbuckle assy	N/A	Price on request*
7054	Turnbuckle only	Stainless steel	£92.62

\*Please contact sales@guthriedouglas.com



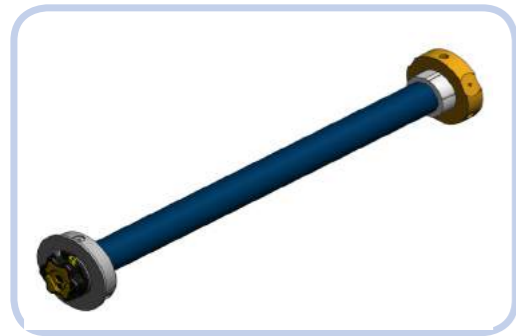
NAV NO.	DESCRIPTION	FINISH	UNIT
4188	Coated wire rope 2.0mm core 2.84mm OD	100m	£121.81
4189	Coated wire rope 2.0mm core 2.84mm OD	200m	£243.61
4190	Coated wire rope 2.0mm core 2.84mm OD	500m	£608.91



NAV NO.	DESCRIPTION	FINISH	UNIT
6424	Tension gauge	N/A	£224.51

# TESS™ 512

## Motor assemblies

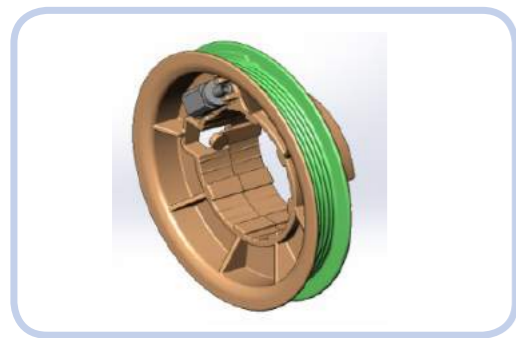


NAV NO.	DESCRIPTION	FINISH	UNIT
5503	Somfy LT50 Hipro Apollo 35Nm 17 rpm manual limits.230V AC. motor s/assy	N/A	£363.09
5504	Simu type 5 30 Nm 17 rpm manual limits 230V AC. Motor s/assy	N/A	£363.09
5505	Simu Type 5 35 Nm 17 rpm HZ02 Radio 230V AC. Motor s/assy	N/A	£380.38
5506	Somfy Altus 35Nm 17rpm HZ02 Radio 230V AC.Motor s/assy	N/A	£380.38

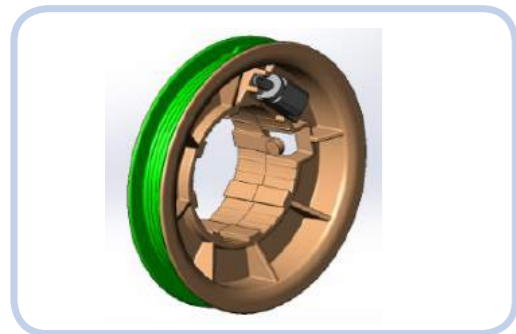
For installations pre July 2011 please contact Guthrie Douglas.



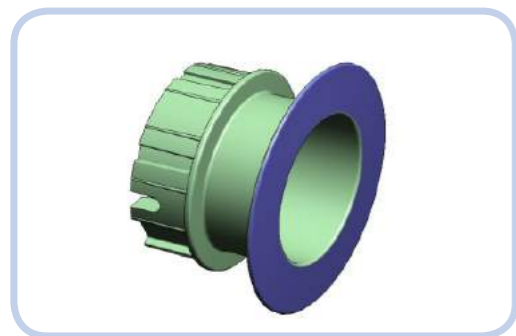
# TESS™ 600 SERIES



NAV NO.	DESCRIPTION	FINISH	UNIT
5609	Cable spool assy LH	N/A	£17.23



NAV NO.	DESCRIPTION	FINISH	UNIT
5610	Cable spool assy RH	N/A	£17.23



NAV NO.	DESCRIPTION	FINISH	UNIT
5676	Fabric tube end cap LH/RH	N/A	£12.30

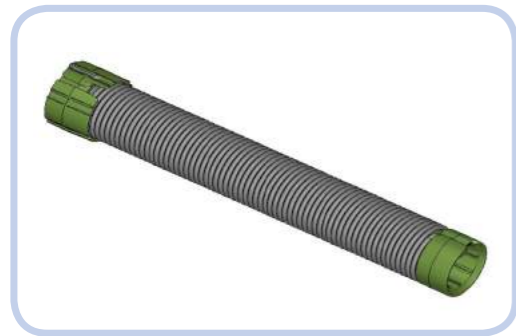


NAV NO.	DESCRIPTION	FINISH	UNIT
5667	Hembar end cap s/assy LH	Black	£10.32
6722	Hembar end cap s/assy LH	White	£10.32



NAV NO.	DESCRIPTION	FINISH	UNIT
5668	Hembar end cap s/assy RH	Black	£10.32
6723	Hembar end cap s/assy RH	White	£10.32

# TESS™ 600 SERIES



NAV NO.	DESCRIPTION	FINISH	UNIT
5611	Spring s/assy	N/A	£29.81



NAV NO.	DESCRIPTION	FINISH	UNIT
7841	Wire rope 1.2mm core 1.5 OD - 50 metre	N/A	£59.57
4376	Wire rope 1.2mm core 1.5 OD - 100 metre	N/A	£118.69
4377	Wire rope 1.2mm core 1.5 OD - 200 metre	N/A	£237.26
4378	Wire rope 1.2mm core 1.5 OD - 500 metre	N/A	£593.27

# TESS™ 600

## Motor assemblies

- We recommend that motors are supplied as a complete assembly for quick and easy replacement.

### KITS - TESS™660 FACE FIX TESS™660 REVEAL FIX

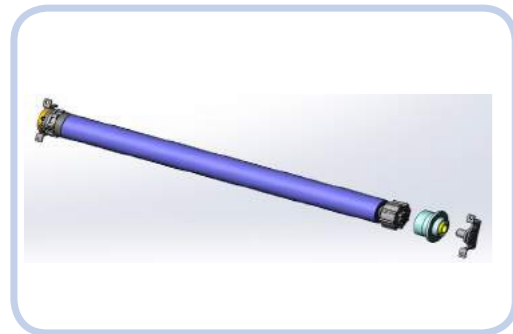
NAV NO.	DESCRIPTION	UNIT
6430	Somfy Sonesse 40 motor kit – standard motor 240V AC	£191.81
6429	Somfy Sonesse 40 motor kit – radio motor 240V AC	£203.20
6512	Somfy Sonesse 40 motor kit – standard motor 120V AC	£222.41
6511	Somfy Sonesse 40 motor kit – radio motor 120V AC	£225.98
8364	Nice Action motor kit – standard motor 240V/120V AC	£198.61
8365	Nice Edge motor kit – radio motor 240V/120V AC	£220.83

### KITS - TESS™ 660 RECESS FIX

NAV NO.	DESCRIPTION	UNIT
8446	Somfy Sonesse 40 motor kit – standard motor 240V AC	£191.81
8445	Somfy Sonesse 40 motor kit – radio motor 240V AC	£203.20
8448	Somfy Sonesse 40 motor kit – standard motor 120V AC	£222.41
8447	Somfy Sonesse 40 motor kit – radio motor 120V AC	£225.98
8440	Nice Action motor kit – standard motor 240V/120V AC	£198.61
8441	Nice Edge motor kit – radio motor 240V/120V AC	£220.83

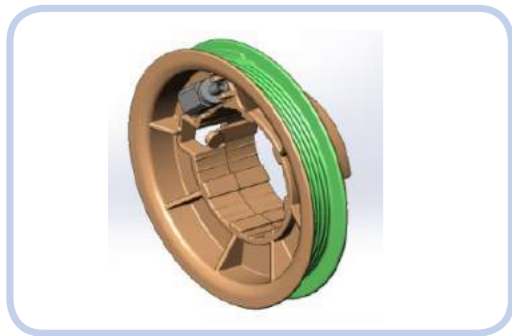
### MOTOR ONLY

NAV NO.	DESCRIPTION	UNIT
5706	Somfy Sonesse 40 motor – standard motor 240V AC	£149.47
5705	Somfy Sonesse 40 motor – radio motor 240V AC	£173.16
6508	Somfy Sonesse 40 motor – standard motor 120V AC	£191.64
6510	Somfy Sonesse 40 motor – radio motor 120V AC	£208.24
8359	Nice Action motor – standard motor 240V/120V AC	£179.85
8360	Nice Edge motor – radio motor 240V/120V AC	£191.52

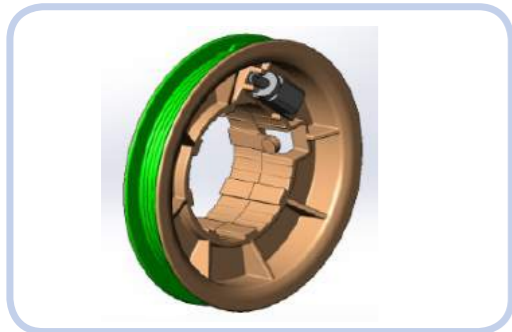


NAV NO.	DESCRIPTION	FINISH	UNIT
7774	Nice control programming unit	N/A	£50.45

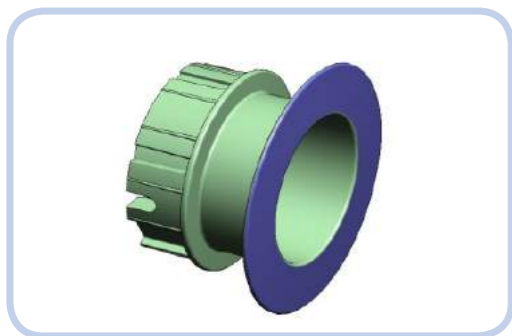
# TESS™ 600L



NAV NO.	DESCRIPTION	FINISH	UNIT
8089	Cable spool assy LH	N/A	£19.89



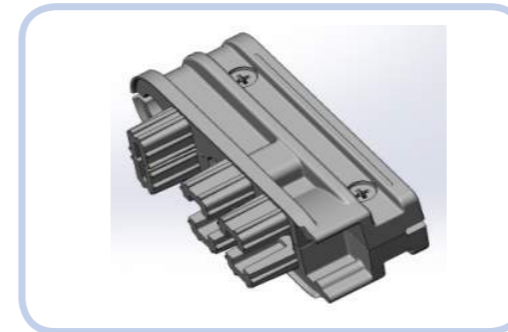
NAV NO.	DESCRIPTION	FINISH	UNIT
8090	Cable spool assy RH	N/A	£19.89



NAV NO.	DESCRIPTION	FINISH	UNIT
8088	Fabric tube end cap LH/RH	N/A	£14.62

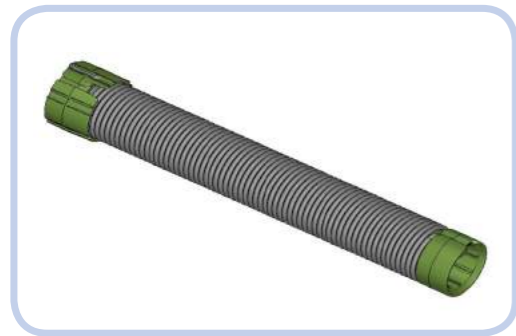


NAV NO.	DESCRIPTION	FINISH	UNIT
5667	Hembar end cap s/assy LH	Black	£10.32
6722	Hembar end cap s/assy LH	White	£10.32



NAV NO.	DESCRIPTION	FINISH	UNIT
5668	Hembar end cap s/assy RH	Black	£10.32
6723	Hembar end cap s/assy RH	White	£10.32

# TESS™ 600L



NAV NO.	DESCRIPTION	FINISH	UNIT
5611	Spring s/assy	N/A	£29.81



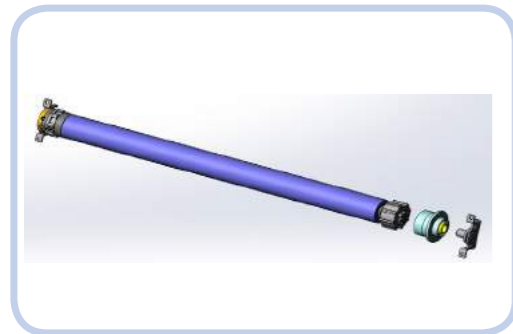
NAV NO.	DESCRIPTION	FINISH	UNIT
7841	Wire rope 1.2mm core 1.5 OD - 50 metre	N/A	£59.57
4376	Wire rope 1.2mm core 1.5 OD	100m	£118.69
4377	Wire rope 1.2mm core 1.5 OD	200m	£237.26
4378	Wire rope 1.2mm core 1.5 OD	500m	£593.27

# TESS™ 600L

## Motor assemblies

- We recommend that motors are supplied as a complete assembly for quick and easy replacement.

### MOTOR KITS



NAV NO.	DESCRIPTION	FINISH	UNIT
8118	Somfy Sonesse 40 motor kit – standard motor 240V AC	N/A	£191.81
8117	Somfy Sonesse 40 motor kit – radio motor 240V AC	N/A	£203.20
8120	Somfy Sonesse 40 motor kit – standard motor 120V AC	N/A	£222.41
8119	Somfy Sonesse 40 motor kit – radio motor 120V AC	N/A	£225.98
8374	Nice Action motor kit – standard motor 240V/120V AC	N/A	£198.61
8375	Nice Edge motor kit – radio motor 240V/120V AC	N/A	£220.83



NAV NO.	DESCRIPTION	FINISH	UNIT
7774	Nice control programming unit	N/A	£50.45

### MOTOR ONLY

NAV NO.	DESCRIPTION	FINISH	UNIT
5706	Somfy Sonesse 40 motor – standard motor 240V AC	N/A	£149.47
5705	Somfy Sonesse 40 motor – radio motor 240V AC	N/A	£173.16
6508	Somfy Sonesse 40 motor – standard motor 120V AC	N/A	£191.64
6510	Somfy Sonesse 40 motor – radio motor 120V AC	N/A	£208.24
8359	Nice Action motor – standard motor 240V/120V AC	N/A	£179.85
8360	Nice Edge motor – radio motor 240V/120V AC	N/A	£191.52



VISIT US:  
[www.guthriedouglas.com](http://www.guthriedouglas.com)

EMAIL US:  
[projects@guthriedouglas.com](mailto:projects@guthriedouglas.com)

TALK TO US:  
0044 (0)1926 310 850

**Guthrie Douglas**