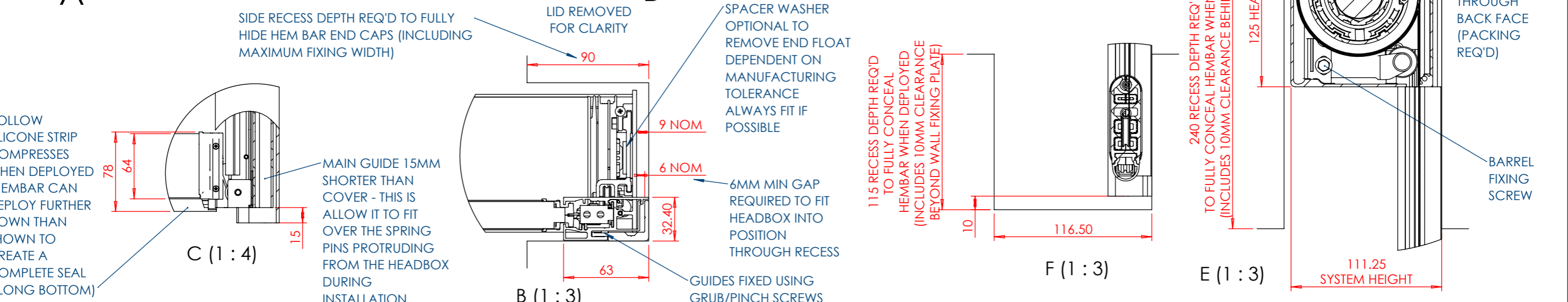
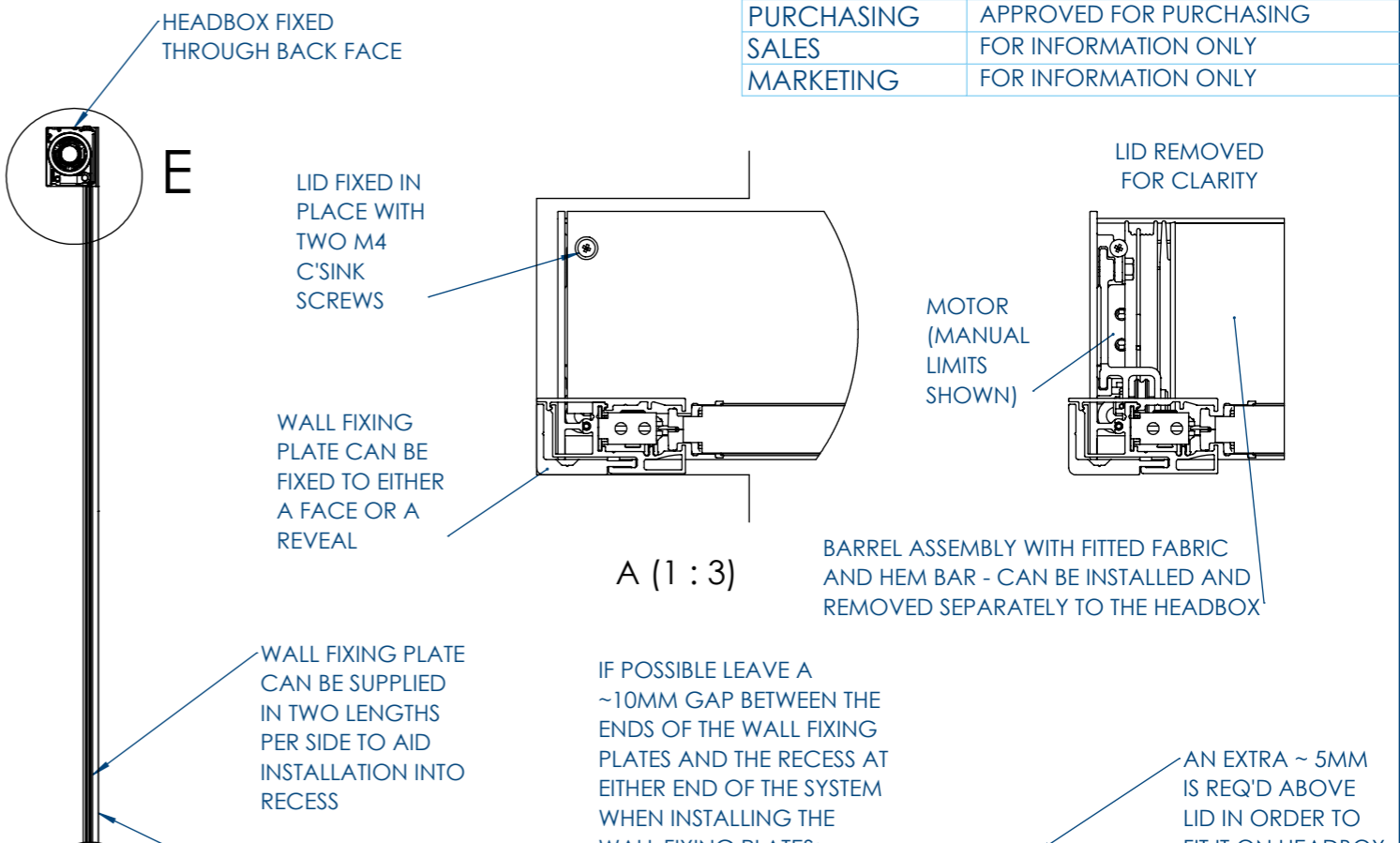
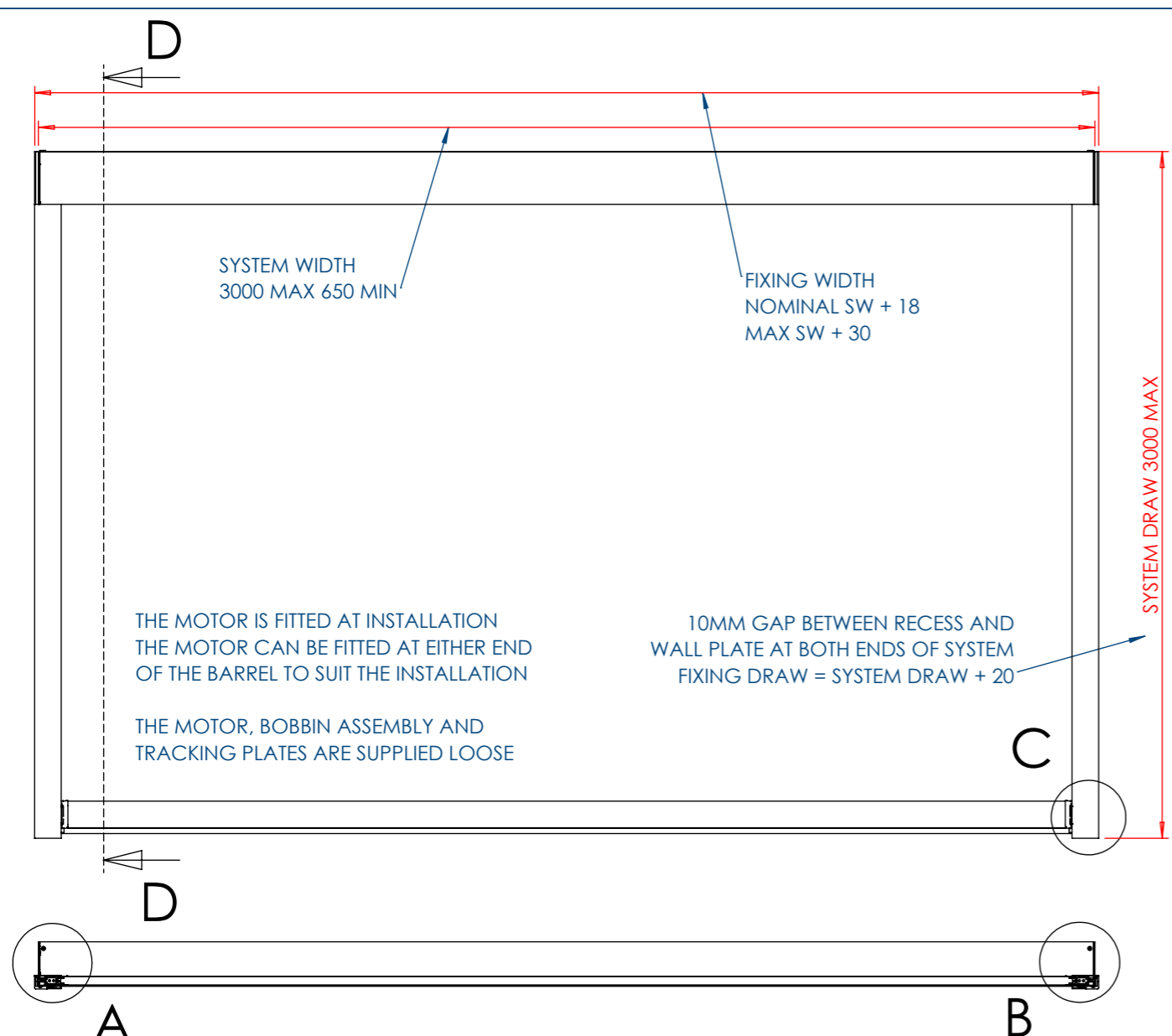


PRODUCTION	APPROVED FOR PRODUCTION
PURCHASING	APPROVED FOR PURCHASING
SALES	FOR INFORMATION ONLY
MARKETING	FOR INFORMATION ONLY



THIRD ANGLE PROJECTION

REMOVE ALL SHARP EDGES

IF IN DOUBT ASK	DO NOT SCALE
GENERAL TOLERANCES TO ISO2768-m	
ALL DIMNS.IN mm	DRAWN TO BS308

This drawing is copyright and the exclusive property of GUTHRIE DOUGLAS GROUP LTD and must not be copied, used or exhibited without prior written consent.

Guthrie Douglas

12 Heathcote Way, Heathcote Industrial Estate, Warwick CV34 6TE, UK
Tel : (01926) 310850 Fax : (01926) 832914

Customer			
Material	Scale	Size	
	1:15	A3	
Surface Finish	Special		

TESS 660

INSTALLATION DRAWING

LIDDED RECESS FIX SYSTEM

Product Group	SOLAR		Item No.	N/A
Drawn	Date	Checked	Date	
hannah.southan	05-11-2018	Hannah.Southan	13-05-2019	
DRG.NO:	GDP25435 / 02			
SHEET 1 OF 1 SHEETS				