

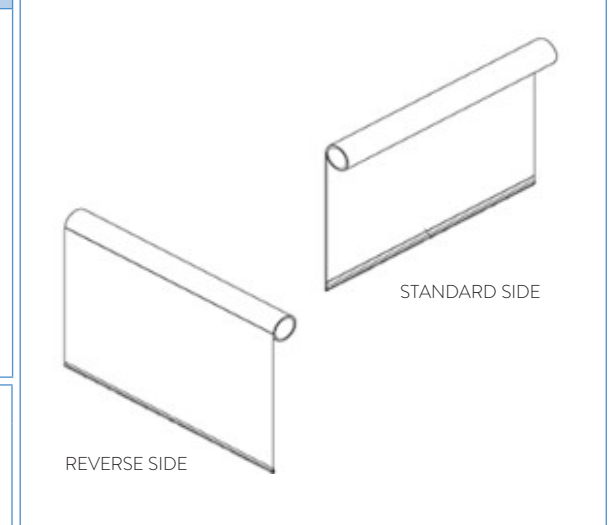
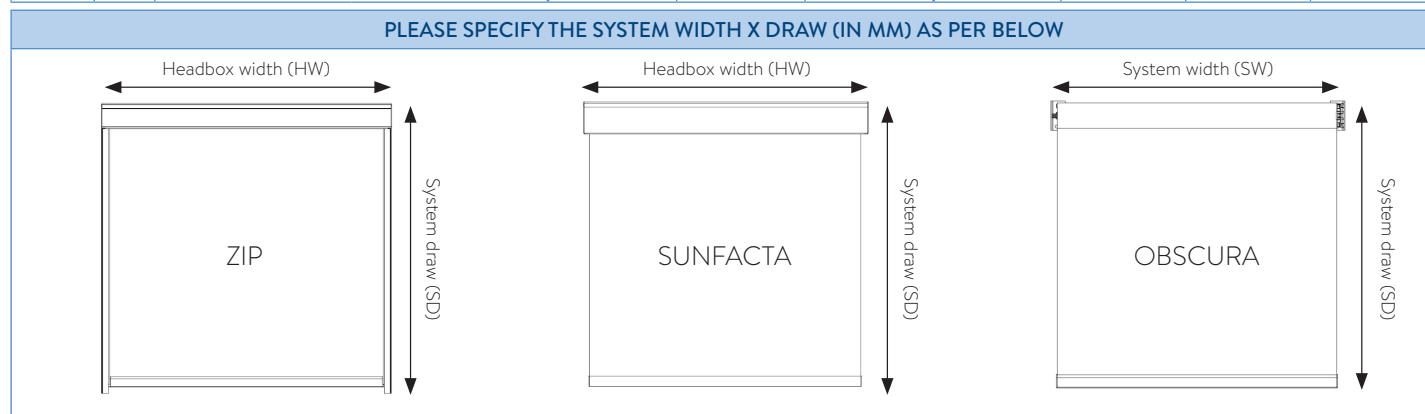
SHY FABRIC ORDER FORM

YOUR DETAILS				DELIVERY DETAILS			
Company		Contact		Required delivery date			
Email		Phone		Delivery address			
Address		Original order no.					
		Quote no.		Delivery options			
		Project		Customer to collect (ExWorks)		GD to deliver (DAP - surcharge)	

SYSTEM DIMENSIONS (IN MM)				SYSTEM TYPE			HEMBAR OPTION				POWDER COATING OPTIONS (if hembar is selected)			
POS	QTY	WIDTH (HW/SW)	DRAW (SD)	ZIP	SUNFACTA	OBSCURA	NO HEMBAR	36MM	75MM	POCKET ONLY	RAL		GLOSS LEVEL	
1												RAL 9016 30% (traffic white matt = standard)		
2												Other RAL, specify below (surcharge)		
3														
4														
5														
6														
7														
8														
9														
10														
11														
TOTAL														

FABRIC SUPPLIED AND FITTED BY GUTHRIE DOUGLAS			
Fabric type			
Fabric colour			
PLEASE SPECIFY FABRIC ZIP COLOUR (ZIP SYSTEM ONLY)			
Zip colour	White		
	Grey		
	Black		

ORIENTATION		FABRIC FRONT	
Vertical		On reverse side	
Horizontal		On standard side	



COMMENTS
Guthrie Douglas will cut the fabric to suit the system dimensions. Please provide the headbox/system width (HW/SW) and draw (SD). If only fabric dimensions are available, please specify the measurements in the comments box.