

TRADE PRICE LIST TESS™ & SHY™ SYSTEMS

€ EURO (excl. VAT)



CONTENTS

2	Introduction	10	TESS™ 512 – Internal and external pergola system	15	SHY™ Zip® Gravity 85
5	TESS™ 100 series – (Internal) tension shading	11	TESS™ 600/640/601/602 – Compact tension system	16	SHY™ Zip® Gravity 110
6	TESS™ 200 – Large internal tension system	12	TESS™ 660 – Blackout zip tension system	17	SHY™ Zip® Gravity 150
7	TESS™ 300 series – Internal vertical roller blind	13	SHY™ Obscura Gravity	18	SHY™ Zip® Obscura Gravity
9	TESS™ 400 series – External tension system	14	SHY™ Sunfacta Gravity	19	SHY™ Zip® CTS roof blind
	All prices valid until 31st December 2026			20	Other systems and spare parts

INSTALLATION TRAINING

- TESS™ and SHY™ systems are technical products and installation must be supervised by an installer with appropriate Guthrie Douglas training. A register of trained installers is held by Guthrie Douglas.
- System installation without supervision by a Guthrie Douglas trained installer invalidates the product warranty, and any after sales investigation/rectification work will be chargeable.
- Training is available free of charge at our premises in Warwick, UK or via video call. Training is also available with reasonable notice at customer premises or on site, for a charge of 1296 € per day plus expenses.
- As a general rule, one day of training is appropriate for each system. Multi-day intensive training programs covering multiple systems can also be planned on request.
- For some territories, Guthrie Douglas maintain a recommended subcontractor installer list. Please enquire for details.

PRODUCT WARRANTY AND TERMS AND CONDITIONS

- Guthrie Douglas warrants the goods against defective materials and faulty workmanship for a period of twenty-four months from the date of delivery. For full terms and conditions and product warranty please contact sales@guthriedouglas.com or download the relevant documents [here](#).

TESS™ DIMENSIONS

- System width and system draw of a Guthrie Douglas blind are measured from the outside of the brackets and return pulleys/full system length. Please refer to the corresponding installation drawing, available [here](#) on our website.

SCOPE OF SUPPLY

- All prices exclude VAT and include the complete system with mounting brackets (for different installation configurations), motor (where applicable) and instructions; the aluminium hardware in Guthrie Douglas standard white RAL9016 30% traffic white.
- For sizes or system configurations not shown, please contact the sale office.
- This price list is valid for any projects with ≤10 systems. For larger projects, contact sales@guthriedouglas.com.
- Datasheets with all details can be downloaded [here](#) from our website.

CONTENTS

2	Introduction	10	TESS™ 512 – Internal and external pergola system	15	SHY™ Zip® Gravity 85
5	TESS™ 100 series – (Internal) tension shading	11	TESS™ 600/640/601/602 – Compact tension system	16	SHY™ Zip® Gravity 110
6	TESS™ 200 – Large internal tension system	12	TESS™ 660 – Blackout zip tension system	17	SHY™ Zip® Gravity 150
7	TESS™ 300 series – Internal vertical roller blind	13	SHY™ Obscura Gravity	18	SHY™ Zip® Obscura Gravity
9	TESS™ 400 series – External tension system	14	SHY™ Sunfacta Gravity	19	SHY™ Zip® CTS roof blind
				20	Other systems and spare parts

All prices valid until 31st December 2026

FABRIC TESS™ SYSTEMS

- All TESS™ system prices include a standard screen fabric from the Guthrie Douglas range:

STANDARD SCREEN FABRIC

Helioscreen Sergé 1%
 Helioscreen Sergé 3%
 Mermet Satiné 5500
 Serge Ferrari Soltis 86
 Serge Ferrari Soltis 92

SPECIALIST SCREEN FABRIC

Sattler Twilight Pearl

BLACKOUT FABRIC

Copaco Sergé 600 Lunar
 Serge Ferrari Soltis B92
 Serge Ferrari Soltis B99

- Blackout fabrics and specialist screen fabrics are available for all systems at an additional cost. Details are shown below the individual price tables.

- Fabrics are pre-fitted to the TESS™ system before delivery (except TESS™512).

FABRIC SHY™ SYSTEMS

- All SHY™ system prices include a standard C-Screen screen Guthrie Douglas fabric:

C-Screen 1%
 C-Screen 3%
 C-Screen 5%

- Other SHY™ fabrics are available with the following surcharge £/m² fabric

FABRIC UPGRADE OPTIONS	EXTRA €/m ²
SHY™ Vinyl blackout	9.95 €
Mermet Natte 4503	82.65 €
Mermet Screen Vision 1% or 3%	84.25 €
Mermet Flocke blackout	101.75 €

Please contact sales@guthriedouglas.com for alternative fabrics.

CONTENTS

2	Introduction	10	TESS™ 512 – Internal and external pergola system	15	SHY™ Zip® Gravity 85
5	TESS™ 100 series – (Internal) tension shading	11	TESS™ 600/640/601/602 – Compact tension system	16	SHY™ Zip® Gravity 110
6	TESS™ 200 – Large internal tension system	12	TESS™ 660 – Blackout zip tension system	17	SHY™ Zip® Gravity 150
7	TESS™ 300 series – Internal vertical roller blind	13	SHY™ Obscura Gravity	18	SHY™ Zip® Obscura Gravity
9	TESS™ 400 series – External tension system	14	SHY™ Sunfacta Gravity	19	SHY™ Zip® CTS roof blind
				20	Other systems and spare parts

All prices valid until 31st December 2026

MOTORS AND CONTROLS

- All TESS™ system prices include a 240V tubular motor with manual limit setting. Radio controlled motors are available for an additional fee.
- The available operation of SHY™ systems is shown on each corresponding price table. Where available, prices include a 240V tubular motor with manual limit setting or manual operation. Please refer to the price tables.

POWDER COATING

- All Guthrie Douglas system prices include powder coating of exposed aluminum and carbon steel parts to RAL 9016 traffic white at 30% gloss level.
- The following colours are examples of available alternative CAT. A colours which incur an additional setup charge @ 414 € per order. Examples of CAT. A colours
 - RAL 7015 30% slate grey
 - RAL 7031 30% blue grey
 - RAL 9001 30% cream
 - RAL 9005 30% jet black

CAT. B colours incur 414 € per order + an additional charge per system depending on system type.

Download our list of RAL colour categories here from our website.

PACKING

- Packaging is included in the system prices on the tables for projects in the UK and EU. This price list is valid for projects ≤10 systems.

MANUFACTURING AND DELIVERY TIMES

- The standard manufacturing time is 4-6 weeks, to the point when goods are packed and ready for transport.
- Manufacturing will only start after receipt of a fully complete Guthrie Douglas order form, a customer purchase order number and any pre-payments if required.

OPTIONS

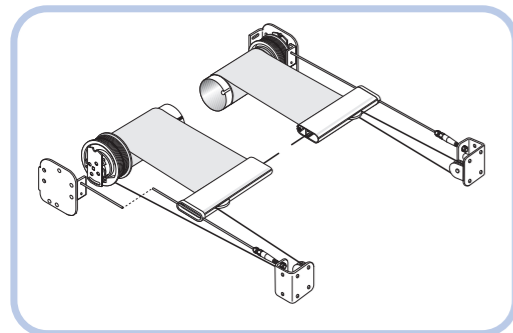
- Listed below are some of the additional available options. For further information and options, please contact our sales department
- Controls for motors are NOT included, please select from the tables below.

SOMFY RADIO CONTROLS	EXTRA €/system
Hirschmann plug & socket	34.60 €
1 channel Somfy RTS handset	72.65 €
4+1 channel Somfy RTS handset	111.35 €
16 channel Somfy RTS handset	388.95 €
1 channel Somfy wall switch	81.05 €
4 channel Somfy wall switch	111.35 €
1 channel Somfy Situo 1 io	72.65 €
5 channel Somfy Situo 5 io	111.35 €

TESS™ 100 SERIES

TESS™ 140 UNIVERSAL WIRE GUIDED SYSTEM

Designed to deliver reliability, discretely



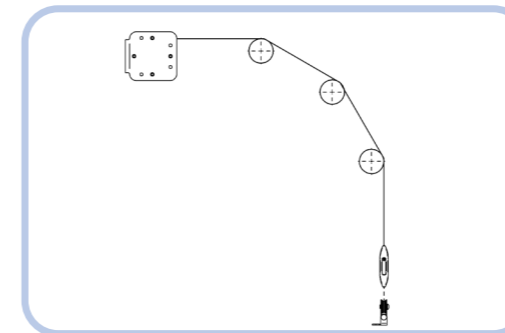
[ORDER HERE](#)

SYSTEM DRAW (MM)	SYSTEM WIDTH (MM)		
	1150-2000	2001-3000	3001-4000
< 2000	1 722.95 €	1 949.00 €	2 224.30 €
2001 - 3000	1 830.50 €	2 113.95 €	2 446.85 €
3001 - 4000	1 964.95 €	2 306.40 €	2 696.95 €
4001 - 5300	2 169.10 €	2 585.45 €	3 051.00 €* ¹
5301 - 6500	2 297.80 €	2 783.4 €* ¹	contact us

* max 18m²

TESS™ 100 INTERNAL UNGUIDED SYSTEM

Freedom to move round curves



[ORDER HERE](#)

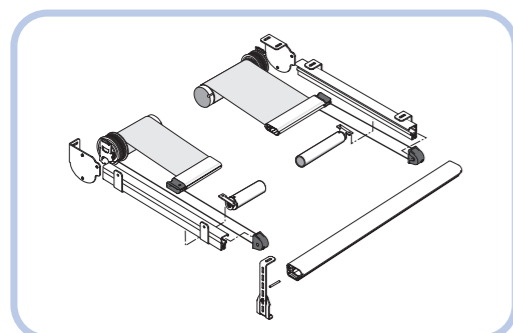
SYSTEM DRAW (MM)	SYSTEM WIDTH (MM)		
	1150-2000	2001-3000	3001-4000
< 2000	1 655.35 €	1 972.80 €	2 059.90 €
2001 - 3000 ¹	1 933.15 €	2 356.25 €	2 582.90 €
3001 - 4000 ²	2 210.30 €	2 739.65 €	3 105.90 €
4001 - 5300 ²	2 349.80 €	2 954.05 €	contact us
5301 - 6500 ²	2 478.50 €	3 152.00 €* ¹	not available

* max 16m²

¹ or ² number of relieving rollers included

TESS™ 120 INTERNAL RAIL GUIDED SYSTEM

Designed to minimise the load imposed on your structure



[ORDER HERE](#)

SYSTEM DRAW (MM)	SYSTEM WIDTH (MM)		
	1150-2000	2001-3000	3001-4000
< 2000	1 896.70 €	2 121.50 €	2 340.30 €
2001 - 3000	2 062.95 €	2 345.20 €	2 625.60 €
3001 - 4000 ¹	2 357.75 €	2 730.85 €	3 123.35 €
4001 - 5300 ¹	2 555.90 €	3 003.80 €	contact us
5301 - 6500 ¹	2 743.30 €	3 260.45 €* ¹	not available

* max 16m²

¹ number of relieving rollers included

OPTIONS

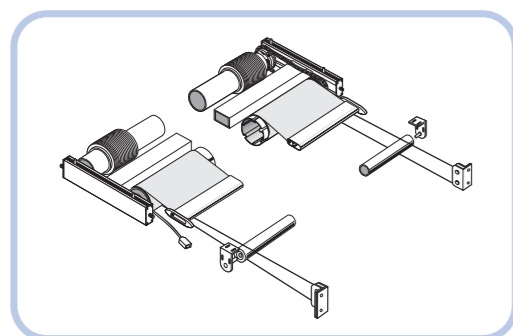
	EXTRA €/system
Radio controlled motor	93.90 €
Specialised or blackout fabric	83.00 €

Installation must be supervised by a trained installer to fulfil the product warranty.
See page 2 for details.

TESS™ 200

TESS™ 200 LARGE INTERNAL TENSION SYSTEM

Designed to cover huge spaces



[ORDER HERE](#)

Standard screen fabric

SYSTEM DRAW (MM)	SYSTEM WIDTH (MM)		
	1300-2000	2001-3000	3001-4000
< 6000 ¹	5 844.70 €	6 909.00 €	8 009.95 €
6000 ¹ - 8000 ²	6 435.90 €	7 758.50 €	9 152.35 €
8001 - 10000 ²	6 855.90 €	8 389.50 €	9 993.35 €
10001 - 12000 ³	7 447.10 €	9 238.95 €	11 135.80 €
12001 - 14000 ⁴	8 270.50 €	10 340.45 €	12 550.00 €
14001 - 16000 ⁴	8 691.50 €	10 971.45 €	12 971.00 €* ⁵
16001 - 18000 ⁵	9 281.70 €	11 820.90 €	13 271.4 €* ⁵

* max surface area 60m²

^{1 2 3 4} or ⁵ number of relieving rollers included

OPTIONS

Radio controlled motor

**EXTRA
€/system**

154.45 €

Specialist or blackout fabric

SYSTEM DRAW (MM)	SYSTEM WIDTH (MM)		
	1300-2000	2001-3000	3001-4000
< 6000 ¹	6 389.70 €	7 726.00 €	9 099.95 €
6000 ¹ - 8000 ²	7 161.90 €	8 848.50 €	10 604.35 €
8001 - 10000 ²	7 763.90 €	9 751.50 €	11 809.35 €
10001 - 12000 ³	8 537.10 €	10 873.95 €	13 314.75 €
12001 - 14000 ⁴	9 541.50 €	12 246.45 €	15 092.00 €
14001 - 16000 ⁴	10 143.50 €	13 150.45 €	15,695.00 €* ⁵
16001 - 18000 ⁵	10 916.70 €	14 271.90 €	15 994.40 €* ⁵

* max surface area 60m²

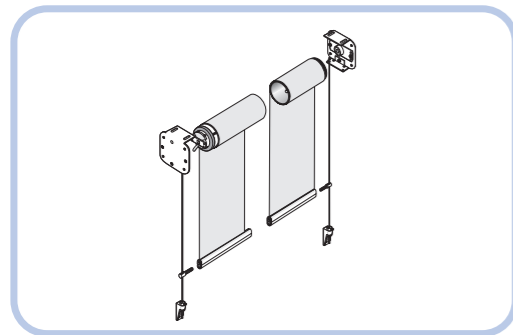
^{1 2 3 4} or ⁵ number of relieving rollers included

Installation must be supervised by a trained installer to fulfil the product warranty.
See page 2 for details.

TESS™ 300 SERIES

TESS 308™ INTERNAL LARGE ROLLER BLIND

A vertical drop blind for large spaces, engineered for strength and stability



[ORDER HERE](#)

Standard screen fabric

SYSTEM DRAW (MM)	SYSTEM WIDTH (MM)			
	970 - 1500	1501 - 2500	2501 - 3500	3501 - 4200
< 3000	1 507.80 €	1 923.20 €	2 205.20 €	2 402.20 €
3001 - 4500	1 718.80 €	2 275.20 €	2 698.20 €	2 994.20 €
4501 - 6000	1 930.80 €	2 627.20 €	3 191.20 €	3 585.20 €

Specialist or blackout fabric

SYSTEM DRAW (MM)	SYSTEM WIDTH (MM)			
	970 - 1500	1501 - 2500	2501 - 3500	3501 - 4200
< 3000	1 690.80 €	2 227.20 €	2 630.20 €	2 913.20 €
3001 - 4500	1 992.80 €	2 731.20 €	3 336.20 €	3 760.20 €
4501 - 6000	2 295.80 €	3 235.20 €	4 042.20 €	4 607.20 €

OPTIONS

Radio controlled motor

EXTRA €/system

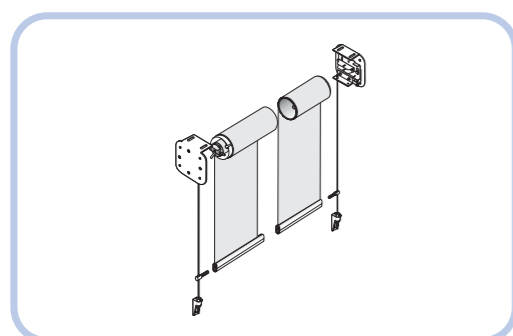
93.90 €

Installation must be supervised by a trained installer to fulfil the product warranty.
See page 2 for details.

TESS™ 300 SERIES

TESS 312™ INTERNAL EXTRA LARGE ROLLER BLIND

A vertical drop blind for large spaces, engineered for strength and stability



ORDER HERE

Standard screen fabric

SYSTEM DRAW (MM)	SYSTEM WIDTH (MM)			
	970 - 1500	1501 - 2500	2501 - 3500	3501 - 5000
< 3000	2 102.10 €	2 671.80 €	2 953.80 €	3 532.30 €
3001 - 4500	2 313.10 €	3 023.80 €	3 446.80 €	4 237.30 €
4501 - 6000	2 525.10 €	3 375.80 €	3 939.80 €	4 941.30 €
6001 - 7000	2 666.10 €	3 610.80 €	4 268.80 €	5 411.30 €
7001 - 8000	2 807.10 €	3 845.80 €	4 596.80 €	5 880.30 €
8001 - 9000	2 947.10 €	4 080.80 €	4 925.80 €	6 350.30 €
9001 - 10000	3 088.10 €	4 315.80 €	5 254.80 €	6 820.30 €
10001 - 11000	3 229.10 €	4 549.80 €	5 583.80 €	7 289.30 €
11001 - 12000	3 370.10 €	4 784.80 €	5 911.80 €	7 759.30 €

Specialist or blackout fabric

SYSTEM DRAW (MM)	SYSTEM WIDTH (MM)			
	970 - 1500	1501 - 2500	2501 - 3500	3501 - 5000
< 3000	2 285.10 €	2 975.80 €	3 378.80 €	4 140.30 €
3001 - 4500	2 587.10 €	3 479.80 €	4 084.80 €	5 149.30 €
4501 - 6000	2 890.10 €	3 983.80 €	4 790.80 €	6 157.30 €
6001 - 7000	3 091.10 €	4 319.80 €	5 261.80 €	6 829.30 €
7001 - 8000	3 293.10 €	4 656.80 €	5 731.80 €	7 502.30 €
8001 - 9000	3 495.10 €	4 992.80 €	6 202.80 €	8 174.30 €
9001 - 10000	3 969.10 €	5 328.80 €	6 672.80 €	8 846.30 €
10001 - 11000	3 898.10 €	5 664.80 €	7 143.80 €	9 518.30 €
11001 - 12000	4 100.10 €	6 000.80 €	7 613.80 €	10 191.30 €

OPTIONS

Radio controlled motor

**EXTRA
€/system**

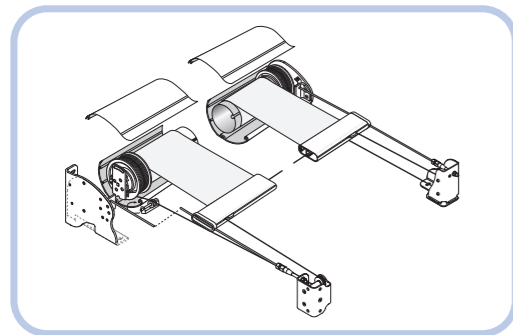
154.45 €

Installation must be supervised by a trained installer to fulfil the product warranty.
See page 2 for details.

TESS™ 400 SERIES

TESS 440™ EXTERNAL WIRE GUIDED SYSTEM

Discrete design to blend in with your façade



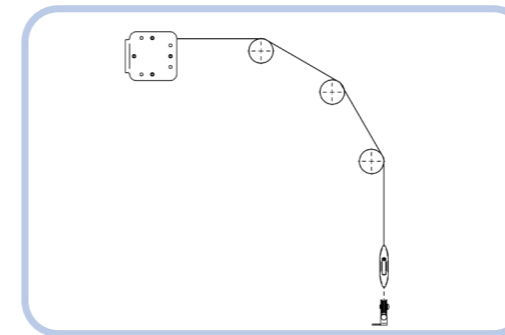
[ORDER HERE](#)

SYSTEM DRAW (MM)	SYSTEM WIDTH (MM)		
	1150 - 2000	2001 - 3000	3001 - 4000
< 2000	2 060.85 €	2 333.45 €	2 602.20 €
2001 - 3000	2 168.40 €	2 498.40 €	2 824.80 €
3001 - 4000	2 377.75 €	2 761.70 €	3 155.25 €
4001 - 5300	2 517.25 €	2 976.10 €	contact us
5301 - 6500	2 645.95 €	3 174.05 €*	not available

* max 16m²

TESS 400™ EXTERNAL UNGUIDED SYSTEM

Freedom to move round curves



[ORDER HERE](#)

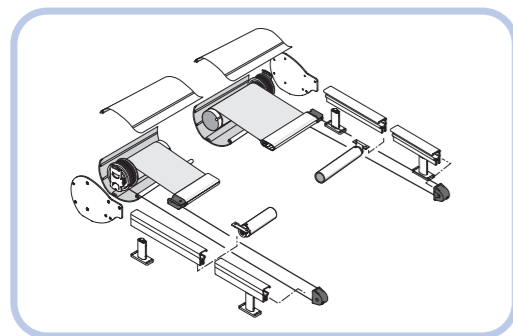
SYSTEM DRAW (MM)	SYSTEM WIDTH (MM)		
	1150 - 2000	2001 - 3000	3001 - 4000
< 2000	1 927.30 €	2 192.85 €	2 449.40 €
2001 - 3000 ¹	2 205.05 €	2 576.30 €	2 972.40 €
3001 - 4000 ²	2 482.25 €	2 959.70 €	3 495.40 €
4001 - 5300 ²	2 621.70 €	3 174.10 €	contact us
5301 - 6500 ²	2 920.65 €	3 590.50 €*	not available

* max 16m²

¹ or ² number of relieving rollers included

TESS 420™ EXTERNAL RAIL GUIDED SYSTEM

Designed to minimise the load imposed on your structure



[ORDER HERE](#)

SYSTEM DRAW (MM)	SYSTEM WIDTH (MM)		
	1150 - 2000	2001 - 3000	3001 - 4000
< 2000	2 254.00 €	2 546.20 €	2 830.25 €
2001 - 3000	2 422.65 €	2 772.25 €	3 113.95 €
3001 - 4000 ¹	2 731.50 €	3 173.65 €	3 609.95 €
4001 - 5300 ¹	2 932.25 €	3 449.20 €	contact us
5301 - 6500 ¹	3 121.90 €	3,708.25 €*	not available

*max 16m²

¹ number of relieving rollers included

OPTIONS

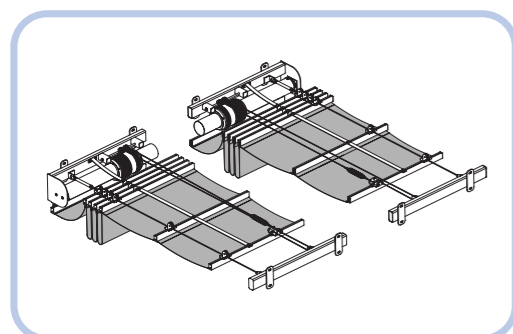
	EXTRA €/system
Radio controlled motor	93.90 €
Specialised or blackout fabric	93.00 €

Installation must be supervised by a trained installer to fulfil the product warranty.
See page 2 for details.

TESS™ 512

TESS 512™ INTERNAL AND EXTERNAL PERGOLA SYSTEM

Horizontal terrace and atrium shading



ORDER HERE

Standard screen fabric

SYSTEM DRAW (MM)	SYSTEM WIDTH (MM)			
	2000-3000	3001-4000	4001-5000	5001-6000
< 5000	7 252.75 €	9 288.80 €	9 733.80 €	10 178.80 €
5001 - 7000	8 235.15 €	10 628.55 €	11 251.55 €	11 874.55 €
7001 - 9000	9 217.55 €	11 968.25 €	12 769.35 €	13 570.25 €
9001 - 11000	10 983.40 €	14 215.60 €	15 194.60 €	16 173.60 €
11001 - 13000	12 749.50 €	16 200.90 €	17 357.90 €	18 514.90 €
13001 - 15000	13 731.95 €	17 540.60 €	18 875.60 €	20 210.60 €
15001 - 17000	14 714.35 €	18 880.35 €	20 393.35 €	21 907.35 €
17001 - 18000	15 205.55 €	19 550.20 €	21 152.20 €	22 755.20 €

PLEASE NOTE

- System prices include fabric panel and 1 intermediate hembar per meter.
- Price tables valid <= 2 systems
- For external applications, please add galvanizing costs of 213 € per system
- For larger project pricing contact: sales@guthriedouglas.com

OPTIONS

Radio controlled motor

**EXTRA
€/system**

154.45 €

Specialist or blackout fabric

SYSTEM DRAW (MM)	SYSTEM WIDTH (MM)			
	2000-3000	3001-4000	4001-5000	5001-6000
< 5000	7 828.75 €	10 056.80 €	10 693.80 €	11 330.80 €
5001 - 7000	9 041.15 €	11 703.55 €	12 595.55 €	13 487.55 €
7001 - 9000	10 254.55 €	13 351.25 €	14 497.25 €	15 644.25 €
9001 - 11000	12 250.40 €	15 905.60 €	17 306.60 €	18 708.60 €
11001 - 13000	14 247.50 €	18 197.90 €	19 854.90 €	21 510.90 €
13001 - 15000	15 459.95 €	19 845.60 €	21 756.60 €	23 667.60 €
15001 - 17000	16 673.35 €	21 492.35 €	23 658.35 €	25 824.35 €
17001 - 18000	17 279.55 €	22 316.20 €	24 609.20 €	26 903.20 €

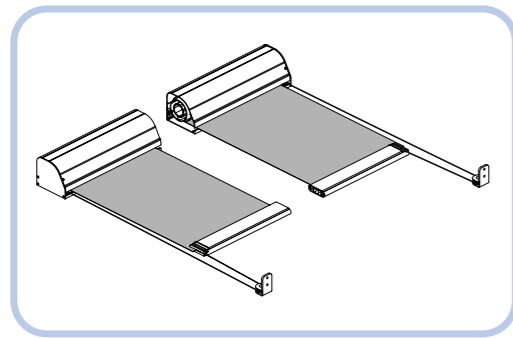
PLEASE NOTE

- System prices include fabric panel and 1 intermediate hembar per meter.
- Price tables valid <= 2 systems
- For external applications, please add galvanizing costs of 213 € per system
- For larger project pricing contact: sales@guthriedouglas.com

Installation must be supervised by a trained installer to fulfil the product warranty.
See page 2 for details.

TESS™ 600/640/601/602

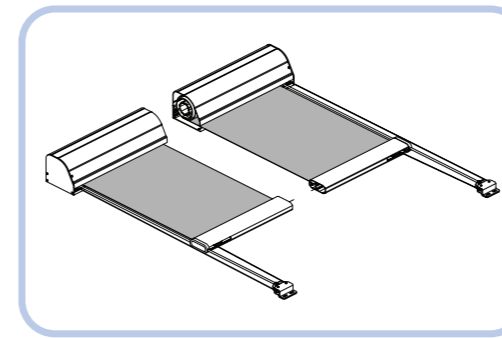
TESS™ 640 CABLE GUIDED COMPACT



[ORDER HERE](#)

SYSTEM DRAW (MM)	SYSTEM WIDTH (MM)		
	650-1000	1001-2000	2001-3000
< 1500	1 685.75 €	1 844.50 €	2 033.60 €
1501 - 3000	1 771.45 €	2 000.45 €	2 260.20 €

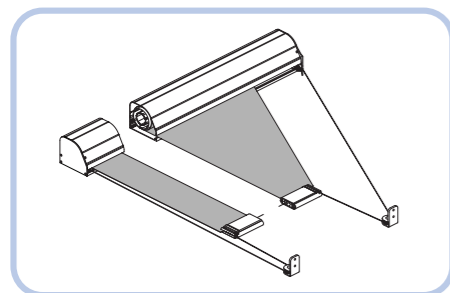
TESS™ 600 UN-GUIDED COMPACT



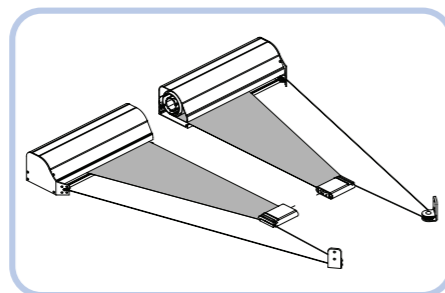
[ORDER HERE](#)

SYSTEM DRAW (MM)	SYSTEM WIDTH (MM)		
	650-1000	1001-2000	2001-3000
< 1500	1 495.40 €	1 647.35 €	1 826.95 €
1501 - 3000	1 560.90 €	1 783.15 €	2 033.00 €

TESS 601/602 TRIANGULAR / TRAPEZE COMPACT



[ORDER HERE](#)



SYSTEM DRAW (MM)	SYSTEM WIDTH (MM)		
	650-1000	1001-2000	2001-3000
< 1500	1 750.80 €	1 906.00 €	2 088.90 €
1501 - 3000	1 816.30 €	2 041.80 €	2 295.00 €

OPTIONS

	EXTRA €/system
Radio controlled motor	No surcharge
Specialised or blackout fabric	93.00 €

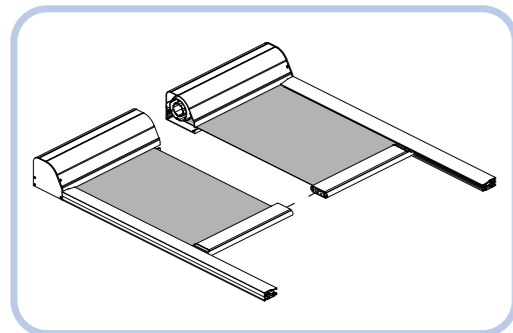
Installation must be supervised by a trained installer to fulfil the product warranty.
See page 2 for details.

Due to the complexities related to the design of bespoke TESS™601/602 systems, engineering support may be required (chargeable service). Please contact us for quotation if required.

TESS™ 660

TESS™ 660 BLACKOUT ZIP TENSION SYSTEM

Zero light gap tension screen



[ORDER HERE](#)

Single TESS™ 660 system with 1 headbox

SYSTEM DRAW (MM)	SYSTEM WIDTH (MM)		
	650-1000	1001-2000	2001-3000
<1500	1 902.70 €	2 061.35 €	2 230.60 €
1501 - 3000	2 048.45 €	2 293.00 €	2 526.95 €
3001 - 4500*	2 194.15 €	2 514.05 €	2 823.35 €**

* larger headbox TESS™ 660L see datasheet

** horizontal installation: TESS™ 660L max. system width=2500mm

OPTIONS	EXTRA €/system
Radio controlled motor	No surcharge
Specialised or blackout fabric	93.00 €

Twin system with 2 headboxes (one at each end)

SYSTEM DRAW (MM)	SYSTEM WIDTH (MM)		
	650-1000	1001-2000	2001-3000
4501 - 6000	3 191.42 €	3 605.45 €	4 120.21 €
6001 - 9000*	3 489.70 €	4 054.66 €	4 723.85 €**

* larger headbox TESS™ 660L see datasheet

** horizontal installation: TESS™ 660L max. system width=2500mm

Installation must be supervised by a trained installer to fulfil the product warranty.
See page 2 for details.

SHY™ OBSCURA GRAVITY



ORDER HERE

SYSTEM DRAW (MM)	SYSTEM WIDTH (MM)															
	500	750	1000	1250	1500	1750	2000	2250	2500	2750	3000	3250	3500	3750	4000	>4000
1000	78 €	96 €	114 €	132 €	151 €	169 €	187 €	228 €	248 €	590 €	626 €	662 €	689 €	1 338 €	1 421 €	Price available on request
1500	84 €	106 €	127 €	149 €	170 €	192 €	213 €	258 €	281 €	626 €	665 €	705 €	749 €	1 391 €	1 479 €	
2000	90 €	115 €	140 €	165 €	189 €	214 €	239 €	287 €	314 €	662 €	705 €	748 €	795 €	1 444 €	1 537 €	
2500	96 €	124 €	153 €	181 €	209 €	237 €	265 €	316 €	346 €	697 €	744 €	790 €	841 €	1 497 €	1 594 €	
3000	102 €	134 €	165 €	197 €	228 €	260 €	291 €	346 €	379 €	734 €	783 €	832 €	887 €	1 550 €	1 652 €	
3500	109 €	143 €	178 €	213 €	248 €	282 €	317 €	375 €	411 €	769 €	822 €	875 €	933 €	1 602 €	1 710 €	
4000	129 €	167 €	205 €	252 €	293 €	334 €	375 €	416 €	457 €	829 €	886 €	944 €	1 007 €	1 703 €	1 768 €	
4500				500 €	561 €	622 €	683 €	744 €	805 €	866 €	927 €	1 623 €	1 690 €	1 758 €	1 825 €	
5000				1 073 €	1 144 €	1 215 €	1 293 €	1 372 €	1 443 €	1 514 €	1 592 €	1 670 €	1 741 €	1 812 €	1 883 €	
5500				1 094 €	1 168 €	1 242 €	1 324 €	1 406 €	1 480 €	1 554 €	1 636 €	1 718 €	1 792 €	1 866 €	1 941 €	
6000				1 114 €	1 192 €	1 269 €	1 354 €	1 439 €	1 517 €	1 595 €	1 680 €	1 765 €	1 843 €	1 921 €	1 999 €	
6500				1 241 €	1 323 €	1 404 €	1 493 €	1 581 €	1 663 €	1 744 €	1 832 €	1 921 €	2 002 €	2 083 €	2 164 €	
7000				1 275 €	1 354 €	1 433 €	1 524 €	1 614 €	1 699 €	1 784 €	1 876 €	1 968 €	2 052 €	2 137 €	2 222 €	

- 60mm tube - 4:1 sidewinder
- 80mm tube - Spring Assisted
- 110mm tube - SHY™ hard wired motor

PLEASE NOTE

- Guthrie Douglas will determine the appropriate hem bar relative to the system size
- All systems with SD ≥4m supplied with guide wires and 75mm hembar

60MM TUBE OPTIONS	EXTRA €/system
SHY™ hard wired	57.00 €
Somfy W/T	274.00 €
Somfy RTS	359.00 €

80+110MM TUBE OPTIONS	EXTRA €/system
SHY™ hard wired	57.00 €
Somfy W/T	243.00 €
Somfy RTS	329.00 €

110MM TUBE OPTIONS	EXTRA €/system
Somfy W/T	218.00 €
Somfy RTS	304.00 €


SHY™ SUNFACTA GRAVITY

Motorised standard SHY™ hardwired motor



ORDER HERE

SYSTEM DRAW (MM)	SYSTEM WIDTH (MM)															
	500	750	1000	1250	1500	1750	2000	2250	2500	2750	3000	3250	3500	3750	4000	>4000
1000	163 €	182 €	200 €	242 €	283 €	315 €	347 €	379 €	627 €	669 €	711 €	758 €	804 €	1 271 €	1 369 €	Price available on request
1500	169 €	191 €	213 €	258 €	302 €	338 €	373 €	409 €	660 €	705 €	750 €	800 €	850 €	1 320 €	1 424 €	
2000	176 €	201 €	226 €	274 €	322 €	361 €	400 €	438 €	692 €	741 €	790 €	843 €	896 €	1 370 €	1 411 €	
2500	182 €	210 €	239 €	290 €	341 €	384 €	426 €	468 €	725 €	777 €	829 €	886 €	942 €	1 419 €	1 462 €	
3000	188 €	220 €	252 €	306 €	361 €	406 €	452 €	497 €	758 €	813 €	869 €	928 €	988 €	1 469 €	1 513 €	
3500	195 €	230 €	265 €	323 €	381 €	429 €	478 €	527 €	791 €	849 €	908 €	971 €	1 034 €	1 519 €	1 564 €	
4000				514 €	576 €	637 €	699 €	761 €	823 €	885 €	947 €	1 014 €	1 080 €	1 568 €	1 615 €	
4500				545 €	612 €	680 €	747 €	814 €	881 €	948 €	1 015 €	1 492 €	1 577 €	1 665 €	1 715 €	
5000				825 €	913 €	1 002 €	1 091 €	1 180 €	1 270 €	1 358 €	1 446 €	1 536 €	1 625 €	1 716 €	1 768 €	
5500				842 €	934 €	1 027 €	1 119 €	1 211 €	1 304 €	1 395 €	1 487 €	1 579 €	1 672 €	1 767 €	1 820 €	
6000				860 €	955 €	1 051 €	1 146 €	1 242 €	1 338 €	1 433 €	1 528 €	1 622 €	1 719 €	1 819 €	1 873 €	
6500				877 €	976 €	1 075 €	1 174 €	1 273 €	1 372 €	1 470 €	1 568 €	1 665 €	1 766 €	1 870 €	1 926 €	
7000				894 €	997 €	1 099 €	1 201 €	1 304 €	1 406 €	1 507 €	1 609 €	1 708 €	1 813 €	1 921 €	1 978 €	

	85mm headbox
	110mm headbox
	150mm headbox

PLEASE NOTE

- Guthrie Douglas will determine the appropriate hembar size relative to the system size
- All systems with 150mm headbox supplied with 75mm hembar
- All systems with 150mm headbox and SD ≥4m supplied with 75mm hembar and guide wires

85MM HEADBOX	EXTRA €/system
Somfy Sonesse W/T	222.00 €
Somfy Sonesse RTS	242.00 €
Somfy Sonesse 30 battery motor with charger	253.00 €
Somfy Sonesse 40 battery motor with charger	410.00 €

110MM HEADBOX	EXTRA €/system
Somfy WT	218.00 €
Somfy RTS	304.00 €

150MM HEADBOX	EXTRA €/system
Somfy W/T	218.00 €
Somfy RTS	304.00 €

SHY™ ZIP® GRAVITY 85

Chain operation



[ORDER HERE](#)

SYSTEM DRAW (MM)	SYSTEM WIDTH (MM)								
	500	750	1000	1250	1500	1750	2000	2250	2500
1000	264 €	306 €	324 €	372 €	406 €	440 €	474 €	522 €	556 €
1500	299 €	344 €	366 €	417 €	455 €	492 €	529 €	580 €	618 €
2000	334 €	383 €	408 €	463 €	503 €	544 €	584 €	639 €	679 €
2400	362 €	413 €	441 €	498 €	541 €	585 €	628 €	685 €	

PLEASE NOTE

- Guthrie Douglas will determine the appropriate hem bar relative to the system size

MOTOR OPTIONS

SHY™ hard wired
 Somfy Sonesse W/T
 Somfy Sonesse RTS
 Somfy Sonesse 40 Battery with Charger

**EXTRA
 €/system**

57.00 €
 279.00 €
 299.00 €
 464.00 €

SHY™ ZIP® GRAVITY 110

Chain operation



[ORDER HERE](#)

SYSTEM DRAW (MM)	SYSTEM WIDTH (MM)													
	500	750	1000	1250	1500	1750	2000	2250	2500	2750	3000	3250	>3250	
	CHAIN OPERATION										MOTORISED STD. SHY™ W/T (NO CHAIN AVAILABLE)			Price available on request
1000	Price available on request										1 016 €	1 069 €	1 136 €	
1500											1 081 €	1 137 €	1 208 €	
2000											1 146 €	1 206 €	1 279 €	
2500	493 €	555 €	575 €	709 €	762 €	815 €	868 €	935 €	989 €	1 210 €	1 273 €	1 350 €		
3000	528 €	594 €	617 €	754 €	810 €	867 €	923 €	994 €	1 050 €	1 275 €	1 342 €	1 422 €		
3600	570 €	639 €	667 €	811 €	868 €	929 €	989 €	1 064 €	1 124 €	1 353 €	1 423 €	1 508 €		

PLEASE NOTE

- Guthrie Douglas will determine the appropriate hem bar relative to the system size

MOTOR OPTIONS

	EXTRA €/system	
SHY™ hard wired	57.00 €	See table
Somfy WT	274.00 €	218.00 €
Somfy RTS	359.00 €	304.00 €

SHY™ ZIP® GRAVITY 150

with motorised standard SHY™ hardwired motor



ORDER HERE

SYSTEM DRAW (MM)	SYSTEM WIDTH (MM)														
	750	1000	1250	1500	1750	2000	2250	2500	2750	3000	3250	3500	3750	4000	>4000mm
1000	Price available on request											1 584 €	1 654 €	1 703 €	Price available on request
1500	Price available on request											1 659 €	1 732 €	1 784 €	
2000	Price available on request											1 733 €	1 809 €	1 864 €	
2500	Price available on request											1 808 €	1 888 €	1 944 €	
3000	Price available on request											1 883 €	1 966 €	2 025 €	
3500	Price available on request											1 957 €	2 043 €	2 105 €	
4000	998 €	1 072 €	1 165 €	1 244 €	1 323 €	1 509 €	1 616 €	1 708 €	1 801 €	1 893 €	2 000 €	2 093 €	2 185 €	2 251 €	
4500	1 027 €	1 101 €	1 194 €	1 273 €	1 352 €	1 562 €	1 674 €	1 770 €	1 866 €	1 962 €	2 072 €	2 168 €	2 264 €	2 332 €	
5000	1 056 €	1 130 €	1 223 €	1 302 €	1 381 €	1 620 €	1 734 €	1 833 €	1 932 €	2 031 €	2 145 €	2 244 €	2 344 €	2 414 €	
5500	1 086 €	1 160 €	1 253 €	1 332 €	1 411 €	1 677 €	1 794 €	1 896 €	1 999 €	2 102 €	2 219 €	2 321 €	2 424 €	2 497 €	
6000	1 116 €	1 190 €	1 283 €	1 362 €	1 441 €	1 733 €	1 854 €	1 960 €	2 066 €	2 172 €	2 292 €	2 398 €	2 505 €	2 580 €	
6400	1 139 €	1 213 €	1 307 €	1 385 €	1 464 €	1 778 €	1 901 €	2 010 €	2 119 €	2 228 €	2 351 €	2 460 €	2 568 €		

PLEASE NOTE

- All systems supplied with 75mm hem bar

MOTOR OPTIONS	EXTRA €/system
Somfy WT	218.00 €
Somfy RTS	304.00 €

SHY™ ZIP® OSCURA GRAVITY

with motorised standard SHY™ hardwired motor



[ORDER HERE](#)

SYSTEM DRAW (MM)	SYSTEM WIDTH (MM)														
	750	1000	1250	1500	1750	2000	2250	2500	2750	3000	3250	3500	3750	4000	>4000mm
1000	330 €	357 €	384 €	403 €	423 €	450 €	476 €	503 €	686 €	809 €	932 €	1 197 €	1 236 €	1 273 €	Price available on request
1500	372 €	400 €	428 €	451 €	473 €	504 €	534 €	564 €	750 €	855 €	961 €	1 273 €	1 315 €	1 355 €	
2000	407 €	440 €	473 €	499 €	526 €	559 €	592 €	626 €	815 €	902 €	990 €	1 349 €	1 394 €	1 436 €	
2400	437 €	473 €	509 €	538 €	567 €	603 €	639 €	724 €	866 €	940 €	1 013 €	1 407 €	1 455 €	1 499 €	
3000	536 €	570 €	603 €	639 €	675 €	719 €	762 €	805 €	944 €	996 €	1 047 €	1 496 €	1 548 €	1 595 €	
3600	582 €	619 €	657 €	697 €	737 €	784 €	831 €	878 €	1 022 €	1 052 €	1 082 €	1 586 €	1 642 €	1 692 €	
4000	981 €	1 049 €	1 117 €	1 184 €	1 244 €	1 305 €	1 372 €	1 440 €	1 500 €	1 560 €	1 628 €	1 695 €	1 756 €	1 808 €	
4500	1 019 €	1 090 €	1 161 €	1 232 €	1 296 €	1 360 €	1 431 €	1 501 €	1 565 €	1 629 €	1 700 €	1 771 €	1 835 €	1 890 €	
5000	1 059 €	1 133 €	1 208 €	1 283 €	1 349 €	1 416 €	1 490 €	1 564 €	1 632 €	1 699 €	1 773 €	1 847 €	1 915 €	1 972 €	
5500	1 097 €	1 176 €	1 254 €	1 332 €	1 402 €	1 473 €	1 550 €	1 627 €	1 698 €	1 769 €	1 847 €	1 924 €	1 995 €	2 055 €	
6000	1 136 €	1 218 €	1 300 €	1 382 €	1 455 €	1 529 €	1 610 €	1 690 €	1 765 €	1 839 €	1 920 €	2 001 €	2 075 €	2 138 €	
6400	1 170 €	1 254 €	1 338 €	1 422 €	1 498 €	1 575 €	1 659 €	1 743 €	1 819 €	1 896 €	1 982 €	2 067 €	2 139 €		

PLEASE NOTE

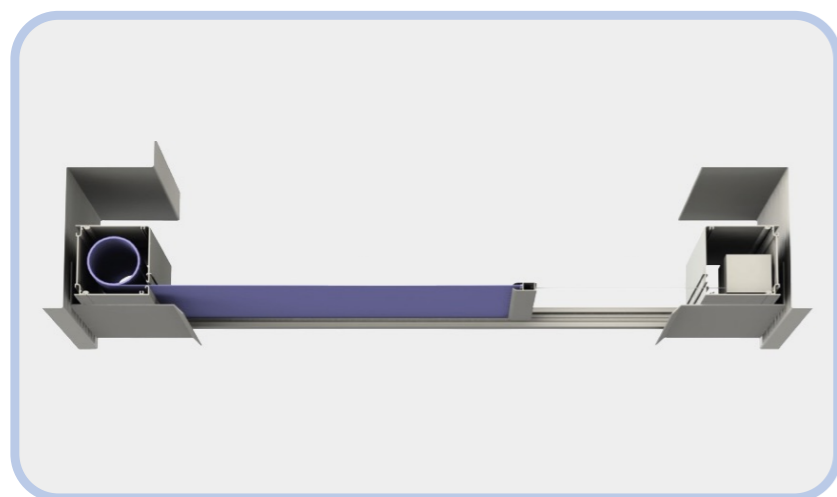
- Guthrie Douglas will determine the appropriate hem bar relative to the system size

60MM TUBE	EXTRA €/system
Somfy Sonesse W/T	222.00 €
Somfy Sonesse RTS	242.00 €
Somfy Sonesse 40 battery with charger	410.00 €

80MM TUBE	EXTRA €/system
Somfy WT	218.00 €
Somfy RTS	204.00 €

SHY™ ZIP® CTS ROOFBLINDS

with motorised standard SHY™ hardwired motor



[ORDER HERE](#)

SYSTEM DRAW (MM)	SYSTEM WIDTH (MM)								
	500	750	1000	1250	1500	1750	2000	2250	<3000mm
1000	940 €	1 002 €	1 065 €	1 127 €	1 190 €	1 745 €	1 843 €	1 956 €	Please refer to TESS™660 price table
1500	996 €	1 062 €	1 128 €	1 193 €	1 259 €	1 817 €	1 919 €	2 035 €	
2000	1 052 €	1 121 €	1 190 €	1 259 €	1 328 €	1 889 €	1 995 €	2 114 €	
2485	1 106 €	1 178 €	1 251 €	1 323 €	1 395 €	1 960 €	2 068 €	2 191 €	
3000	1 231 €	1 333 €	1 435 €	1 537 €	1 639 €	2 035 €	2 147 €	2 273 €	
3720	1 277 €	1 408 €	1 514 €	1 620 €	1 727 €	2 126 €	2 242 €	2 372 €	

Headbox size	85/85	110/85	110/110
Hembar size	36mm	36mm	75mm

PLEASE NOTE

- All above systems supplied with 2 CTS (= constant tension spring units)

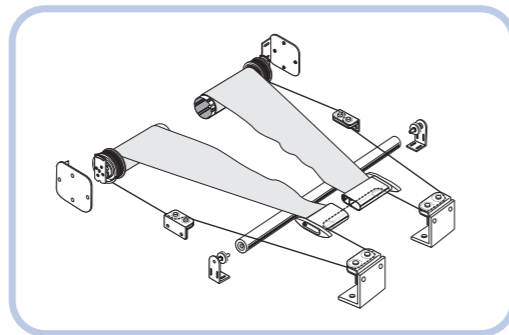
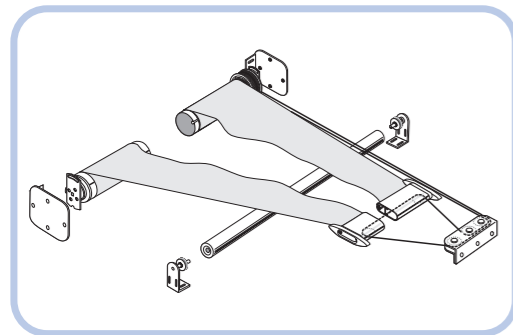
ZIP® 85/85	EXTRA €/system	ZIP® 110/85 & 110/110	EXTRA €/system	SHELF	EXTRA €/system
Somfy Sonesse W/T	241.00 €	Somfy WT	218.00 €	<1500mm system width	124.00 €
Somfy Sonesse RTS	262.00 €	Somfy RTS	305.00 €	≥1500mm system width	216.00 €
Somfy Oximo 40 - Battery 12vDC RTS with solar panel	587.00 €				

OTHER SYSTEMS

The following systems are also available to meet your specific requirements.
For a quotation please contact our sales department

TESS™ 101 AND TESS™ 102

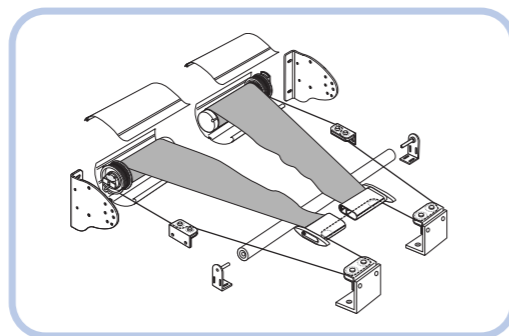
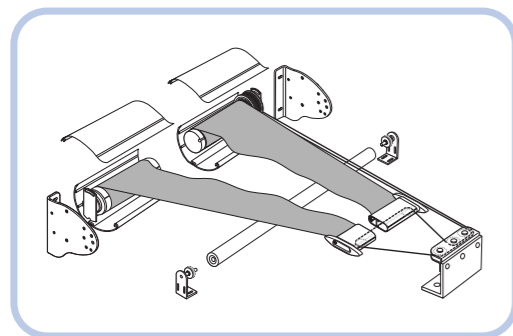
Internal triangles and trapezoids



- Up to 6500mm draw
- Up to 4000mm wide
- Up to 16m² of fabric

TESS™ 401 AND TESS™ 402

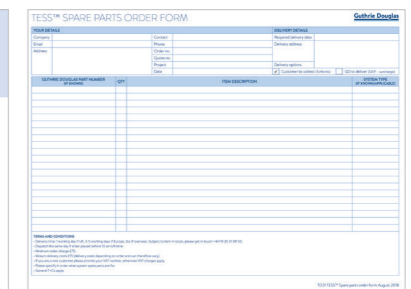
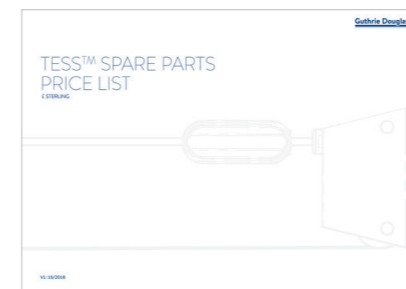
External triangles and trapezoids



- Up to 6500mm draw
- Up to 4000mm wide
- Up to 16m² of fabric

SPARE PARTS

Download our spare parts list online [here](#) and use our Guthrie Douglas order form to send your order through to us for quick and professional processing. Spare parts orders can be dispatched within 3 working days.



All orders are subject to our standard terms & conditions of sale available at www.guthriedouglas.com.

SPECIALIST SYSTEMS

- Guthrie Douglas are a long established manufacturer and supplier of FTS systems in the UK. FTS can achieve widths up to 6m, a draw up to 20m - with a max. fabric area of 50sqm. The FTS system can be supplied as both a glare and zip blackout system
- Guthrie Douglas can also provide a wide range of shaped, upward pulling systems using CTS technology. These systems are particularly suited to gable end windows for internal applications
- Using engineering expertise, TESS™ systems can also be designed for custom solutions; from specialist brackets through to bespoke system sizes; please contact the sales team for assessment and feasibility study

Installation must be supervised by a trained installer to fulfil the product warranty.
See page 2 for details.



VISIT US:

www.guthriedouglas.com

EMAIL US:

sales@guthriedouglas.com

TALK TO US:

+44 (0)1926 310 850

Guthrie Douglas

A DRAPER GROUP COMPANY