

TRADE PRICE LIST TESS™ & SHY™ SYSTEMS

£ STERLING (excl. VAT)



CONTENTS

2	Introduction	10	TESS™ 512 – Internal and external pergola system	15	SHY™ Zip® Gravity 85
5	TESS™ 100 series – (Internal) tension shading	11	TESS™ 600/640/601/602 – Compact tension system	16	SHY™ Zip® Gravity 110
6	TESS™ 200 – Large internal tension system	12	TESS™ 660 – Blackout zip tension system	17	SHY™ Zip® Gravity 150
7	TESS™ 300 series – Internal vertical roller blind	13	SHY™ Obscura Gravity	18	SHY™ Zip® Obscura Gravity
9	TESS™ 400 series – External tension system	14	SHY™ Sunfacta Gravity	19	SHY™ Zip® CTS roof blind
	All prices valid until 31st December 2026			20	Other systems and spare parts

INSTALLATION TRAINING

- TESS™ and SHY™ systems are technical products and installation must be supervised by an installer with appropriate Guthrie Douglas training. A register of trained installers is held by Guthrie Douglas.
- System installation without supervision by a Guthrie Douglas trained installer invalidates the product warranty, and any after sales investigation/rectification work will be chargeable.
- Training is available free of charge at our premises in Warwick, UK or via video call. Training is also available with reasonable notice at customer premises or on site, for a charge of £962 per day plus expenses.
- As a general rule, one day of training is appropriate for each system. Multi-day intensive training programs covering multiple systems can also be planned on request.
- For some territories, Guthrie Douglas maintain a recommended subcontractor installer list. Please enquire for details.

PRODUCT WARRANTY AND TERMS AND CONDITIONS

- Guthrie Douglas warrants the goods against defective materials and faulty workmanship for a period of twenty-four months from the date of delivery. For full terms and conditions and product warranty please contact sales@guthriedouglas.com or download the relevant documents [here](#).

TESS™ DIMENSIONS

- System width and system draw of a Guthrie Douglas blind are measured from the outside of the brackets and return pulleys/full system length. Please refer to the corresponding installation drawing, available [here](#) on our website.

SCOPE OF SUPPLY

- All prices exclude VAT and include the complete system with mounting brackets (for different installation configurations), motor (where applicable) and instructions; the aluminium hardware in Guthrie Douglas standard white RAL9016 30% traffic white.
- For sizes or system configurations not shown, please contact the sale office.
- This price list is valid for any projects with ≤10 systems. For larger projects, contact sales@guthriedouglas.com.
- Datasheets with all details can be downloaded [here](#) from our website.

CONTENTS

2	Introduction	10	TESS™ 512 – Internal and external pergola system	15	SHY™ Zip® Gravity 85
5	TESS™ 100 series – (Internal) tension shading	11	TESS™ 600/640/601/602 – Compact tension system	16	SHY™ Zip® Gravity 110
6	TESS™ 200 – Large internal tension system	12	TESS™ 660 – Blackout zip tension system	17	SHY™ Zip® Gravity 150
7	TESS™ 300 series – Internal vertical roller blind	13	SHY™ Obscura Gravity	18	SHY™ Zip® Obscura Gravity
9	TESS™ 400 series – External tension system	14	SHY™ Sunfacta Gravity	19	SHY™ Zip® CTS roof blind
				20	Other systems and spare parts

All prices valid until 31st December 2026

FABRIC TESS™ SYSTEMS

- All TESS™ system prices include a standard screen fabric from the Guthrie Douglas range:

STANDARD SCREEN FABRIC

Helioscreen Sergé 1%
 Helioscreen Sergé 3%
 Mermet Satiné 5500
 Serge Ferrari Soltis 86
 Serge Ferrari Soltis 92

SPECIALIST SCREEN FABRIC

Sattler Twilight Pearl

BLACKOUT FABRIC

Copaco Sergé 600 Lunar
 Serge Ferrari Soltis B92
 Serge Ferrari Soltis B99

- Blackout fabrics and specialist screen fabrics are available for all systems at an additional cost. Details are shown below the individual price tables.

- Fabrics are pre-fitted to the TESS™ system before delivery (except TESS™512).

FABRIC SHY™ SYSTEMS

- All SHY™ system prices include a standard C-Screen screen Guthrie Douglas fabric:

C-Screen 1%
 C-Screen 3%
 C-Screen 5%

- Other SHY™ fabrics are available with the following surcharge £/m² fabric

FABRIC UPGRADE OPTIONS	EXTRA £/m ²
SHY™ Vinyl blackout	£5.85
Mermet Natte 4503	£68.85
Mermet Screen Vision 1% or 3%	£70.25
Mermet Flocke blackout	£84.75

Please contact sales@guthriedouglas.com for alternative fabrics.

CONTENTS

2	Introduction	10	TESS™ 512 – Internal and external pergola system	15	SHY™ Zip® Gravity 85
5	TESS™ 100 series – (Internal) tension shading	11	TESS™ 600/640/601/602 – Compact tension system	16	SHY™ Zip® Gravity 110
6	TESS™ 200 – Large internal tension system	12	TESS™ 660 – Blackout zip tension system	17	SHY™ Zip® Gravity 150
7	TESS™ 300 series – Internal vertical roller blind	13	SHY™ Obscura Gravity	18	SHY™ Zip® Obscura Gravity
9	TESS™ 400 series – External tension system	14	SHY™ Sunfacta Gravity	19	SHY™ Zip® CTS roof blind
				20	Other systems and spare parts

All prices valid until 31st December 2026

MOTORS AND CONTROLS

- All TESS™ system prices include a 240V tubular motor with manual limit setting. Radio controlled motors are available for an additional fee.
- The available operation of SHY™ systems is shown on each corresponding price table. Where available, prices include a 240V tubular motor with manual limit setting or manual operation. Please refer to the price tables.

POWDER COATING

- All Guthrie Douglas system prices include powder coating of exposed aluminum and carbon steel parts to RAL 9016 traffic white at 30% gloss level.
- The following colours are examples of available alternative CAT. A colours which incur an additional setup charge @ £316 per order. Examples of CAT. A colours
 - RAL 7015 30% slate grey
 - RAL 7031 30% blue grey
 - RAL 9001 30% cream
 - RAL 9005 30% jet black

CAT. B colours incur £316 per order + an additional charge per system depending on system type.

Download our list of RAL colour categories here from our website.

PACKING

- Packaging is included in the system prices on the tables for projects in the UK and EU. This price list is valid for projects ≤10 systems.

MANUFACTURING AND DELIVERY TIMES

- The standard manufacturing time is 4-6 weeks, to the point when goods are packed and ready for transport.
- Manufacturing will only start after receipt of a fully complete Guthrie Douglas order form, a customer purchase order number and any pre-payments if required.

OPTIONS

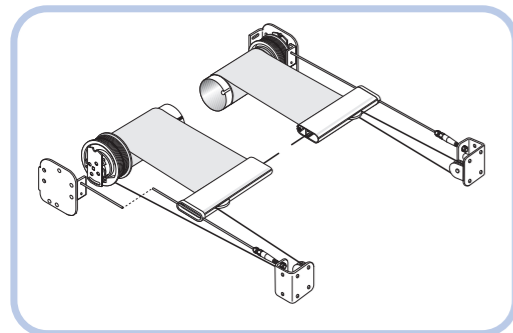
- Listed below are some of the additional available options. For further information and options, please contact our sales department
- Controls for motors are NOT included, please select from the tables below.

SOMFY RADIO CONTROLS	EXTRA £/system
Hirschmann plug & socket	£26.45
1 channel Somfy RTS handset	£55.45
4+1 channel Somfy RTS handset	£85.00
16 channel Somfy RTS handset	£296.90
1 channel Somfy wall switch	£61.85
4 channel Somfy wall switch	£85.00
1 channel Somfy Situo 1 io	£55.45
5 channel Somfy Situo 5 io	£85.00

TESS™ 100 SERIES

TESS™ 140 UNIVERSAL WIRE GUIDED SYSTEM

Designed to deliver reliability, discretely



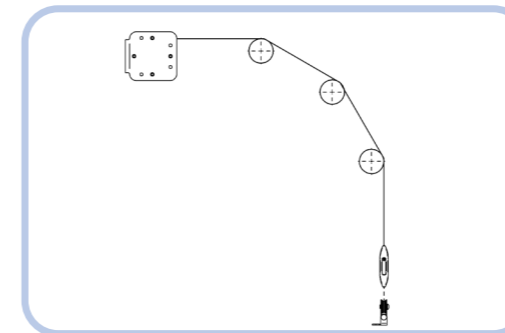
[ORDER HERE](#)

SYSTEM DRAW (MM)	SYSTEM WIDTH (MM)		
	1150-2000	2001-3000	3001-4000
< 2000	£1,315.25	£1,487.80	£1,697.90
2001 - 3000	£1,397.30	£1,613.70	£1,867.85
3001 - 4000	£1,500.00	£1,760.60	£2,058.75
4001 - 5300	£1,655.80	£1,973.65	£2,329.00*
5301 - 6500	£1,754.05	£2,124.70*	contact us

* max 18m²

TESS™ 100 INTERNAL UNGUIDED SYSTEM

Freedom to move round curves



[ORDER HERE](#)

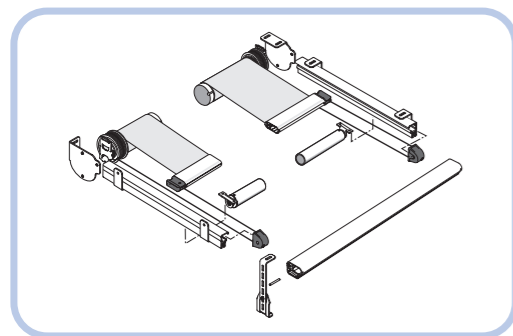
SYSTEM DRAW (MM)	SYSTEM WIDTH (MM)		
	1150-2000	2001-3000	3001-4000
< 2000	£1,263.65	£1,506.00	£1,572.40
2001 - 3000 ¹	£1,475.70	£1,789.65	£1,971.65
3001 - 4000 ²	£1,687.30	£2,091.35	£2,370.90
4001 - 5300 ²	£1,793.75	£2,255.00	contact us
5301 - 6500 ²	£1,892.00	£2,406.10*	not available

* max 16m²

¹ or ² number of relieving rollers included

TESS™ 120 INTERNAL RAIL GUIDED SYSTEM

Designed to minimise the load imposed on your structure



[ORDER HERE](#)

SYSTEM DRAW (MM)	SYSTEM WIDTH (MM)		
	1150-2000	2001-3000	3001-4000
< 2000	£1,447.85	£1,619.50	£1,789.55
2001 - 3000	£1,574.75	£1,790.20	£2,004.30
3001 - 4000 ¹	£1,799.80	£2,084.60	£2,384.25
4001 - 5300 ¹	£1,951.10	£2,293.00	contact us
5301 - 6500 ¹	£2,094.15	£2,488.90*	not available

* max 16m²

¹ number of relieving rollers included

OPTIONS

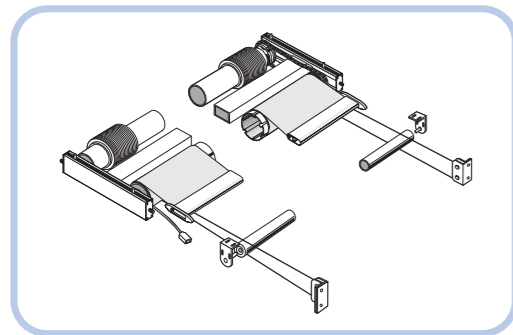
	EXTRA £/system
Radio controlled motor	£71.65
Specialised or blackout fabric	£71.00

Installation must be supervised by a trained installer to fulfil the product warranty.
See page 2 for details.

TESS™ 200

TESS™ 200 LARGE INTERNAL TENSION SYSTEM

Designed to cover huge spaces



[ORDER HERE](#)

Standard screen fabric

SYSTEM DRAW (MM)	SYSTEM WIDTH (MM)		
	1300-2000	2001-3000	3001-4000
< 6000 ¹	£4,461.50	£5,274.25	£6,115.00
6000 ¹ -8000 ²	£4,912.40	£5,923.00	£6,986.30
8001-10000 ²	£5,234.40	£6,405.00	£7,629.30
10001-12000 ³	£5,685.35	£7,052.80	£8,500.60
12001-14000 ⁴	£6,313.50	£7,893.15	£9,580.20
14001-16000 ⁴	£6,634.50	£8,375.15	£9,902.20*
16001-18000 ⁵	£7,085.45	£9,023.95	£10,130.50*

* max surface area 60m²

^{1 2 3 4} or ⁵ number of relieving rollers included

OPTIONS

Radio controlled motor

**EXTRA
£/system**

£118.00

Specialist or blackout fabric

SYSTEM DRAW (MM)	SYSTEM WIDTH (MM)		
	1300-2000	2001-3000	3001-4000
< 6000 ¹	£4,877.45	£5,898.25	£6,946.00
6000 ¹ -8000 ²	£5,467.40	£6,754.00	£8,095.30
8001-10000 ²	£5,927.40	£7,444.00	£9,015.30
10001-12000 ³	£6,516.35	£8,300.80	£10,163.60
12001-14000 ⁴	£7,283.50	£9,348.15	£11,521.20
14001-16000 ⁴	£7,743.50	£10,038.15	£11,981.20*
16001-18000 ⁵	£8,333.45	£10,894.95	£12,209.50*

* max surface area 60m²

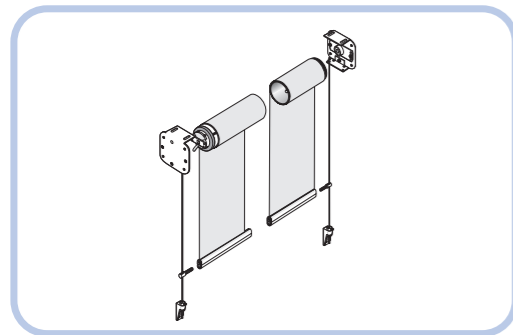
^{1 2 3 4} or ⁵ number of relieving rollers included

Installation must be supervised by a trained installer to fulfil the product warranty.
See page 2 for details.

TESS™ 300 SERIES

TESS 308™ INTERNAL LARGE ROLLER BLIND

A vertical drop blind for large spaces, engineered for strength and stability



[ORDER HERE](#)

Standard screen fabric

SYSTEM DRAW (MM)	SYSTEM WIDTH (MM)			
	970 - 1500	1501 - 2500	2501 - 3500	3501 - 4200
< 3000	£1,150.10	£1,467.90	£1,682.90	£1,833.90
3001 - 4500	£1,312.10	£1,736.90	£2,059.90	£2,285.90
4501 - 6000	£1,474.10	£2,005.90	£2,435.90	£2,736.90

Specialist or blackout fabric

SYSTEM DRAW (MM)	SYSTEM WIDTH (MM)			
	970 - 1500	1501 - 2500	2501 - 3500	3501 - 4200
< 3000	£1,290.10	£1,699.90	£2,007.90	£2,223.90
3001 - 4500	£1,521.10	£2,084.90	£2,546.90	£2,869.90
4501 - 6000	£1,752.10	£2,469.90	£3,085.90	£3,516.90

OPTIONS

Radio controlled motor

EXTRA £/system

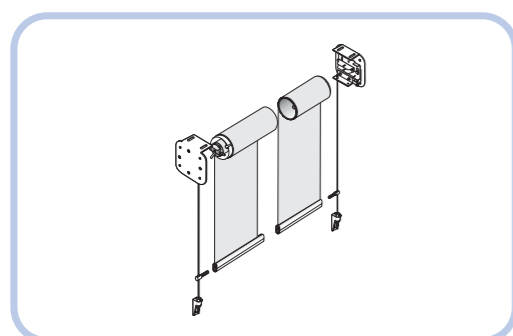
£71.65

Installation must be supervised by a trained installer to fulfil the product warranty.
See page 2 for details.

TESS™ 300 SERIES

TESS 312™ INTERNAL EXTRA LARGE ROLLER BLIND

A vertical drop blind for large spaces, engineered for strength and stability



[ORDER HERE](#)

Standard screen fabric

SYSTEM DRAW (MM)	SYSTEM WIDTH (MM)			
	970 - 1500	1501 - 2500	2501 - 3500	3501 - 5000
< 3000	£1,604.80	£2,039.40	£2,254.40	£2,696.80
3001-4500	£1,765.80	£2,308.40	£2,631.40	£3,234.80
4501-6000	£1,927.80	£2,577.40	£3,007.40	£3,771.80
6001-7000	£2,034.80	£2,756.40	£3,258.40	£4,130.80
7001-8000	£2,142.80	£2,935.40	£3,509.40	£4,488.80
8001-9000	£2,249.80	£3,115.40	£3,760.40	£4,847.80
9001-10000	£2,357.80	£3,294.40	£4,011.40	£5,205.80
10001-11000	£2,465.80	£3,473.40	£4,262.40	£5,564.80
11001-12000	£2,572.80	£3,652.40	£4,513.40	£5,922.80

Specialist or blackout fabric

SYSTEM DRAW (MM)	SYSTEM WIDTH (MM)			
	970 - 1500	1501 - 2500	2501 - 3500	3501 - 5000
< 3000	£1,743.80	£2,271.40	£2,579.40	£3,160.80
3001-4500	£1,974.80	£2,656.40	£3,118.40	£3,930.80
4501-6000	£2,205.80	£3,041.40	£3,657.40	£4,700.80
6001-7000	£2,359.80	£3,298.40	£4,016.40	£5,213.80
7001-8000	£2,513.80	£3,554.40	£4,375.40	£5,726.80
8001-9000	£2,667.80	£3,811.40	£4,734.40	£6,239.80
9001-10000	£2,821.80	£4,067.40	£5,094.40	£6,752.80
10001-11000	£2,975.80	£4,324.40	£5,453.40	£7,265.80
11001-12000	£3,129.80	£4,581.40	£5,812.40	£7,779.80

OPTIONS

Radio controlled motor

**EXTRA
£/system**

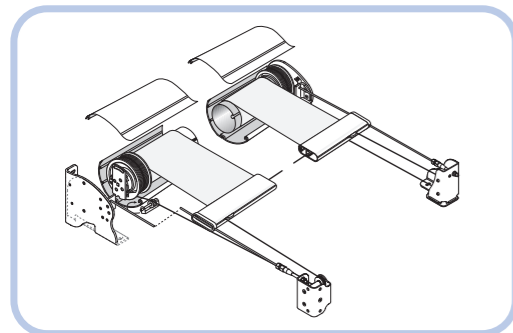
£118.00

Installation must be supervised by a trained installer to fulfil the product warranty.
See page 2 for details.

TESS™ 400 SERIES

TESS 440™ EXTERNAL WIRE GUIDED SYSTEM

Discrete design to blend in with your façade



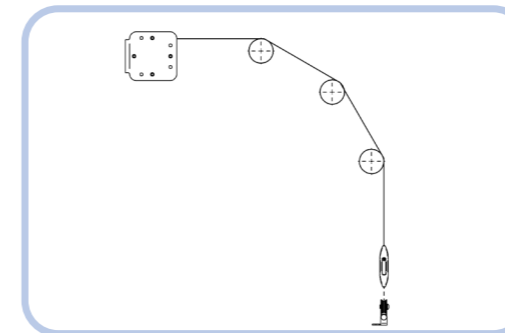
[ORDER HERE](#)

SYSTEM DRAW (MM)	SYSTEM WIDTH (MM)		
	1150 - 2000	2001 - 3000	3001 - 4000
< 2000	£1,573.20	£1,781.25	£1,986.40
2001 - 3000	£1,655.30	£1,907.15	£2,156.30
3001 - 4000	£1,815.10	£2,108.15	£2,408.60
4001 - 5300	£1,921.55	£2,271.85	contact us
5301 - 6500	£2,019.80	£2,422.95*	not available

* max 16m²

TESS 400™ EXTERNAL UNGUIDED SYSTEM

Freedom to move round curves



[ORDER HERE](#)

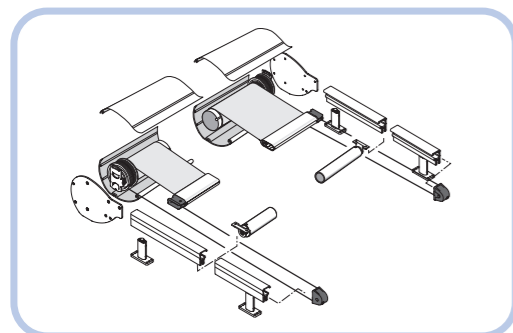
SYSTEM DRAW (MM)	SYSTEM WIDTH (MM)		
	1150 - 2000	2001 - 3000	3001 - 4000
< 2000	£1,471.20	£1,673.95	£1,869.75
2001 - 3000 ¹	£1,683.25	£1,966.65	£2,269.00
3001 - 4000 ²	£1,894.85	£2,259.30	£2,668.25
4001 - 5300 ²	£2,001.30	£2,422.98	contact us
5301 - 6500 ²	£2,099.55	£2,574.05*	not available

* max 16m²

¹ or ² number of relieving rollers included

TESS 420™ EXTERNAL RAIL GUIDED SYSTEM

Designed to minimise the load imposed on your structure



[ORDER HERE](#)

SYSTEM DRAW (MM)	SYSTEM WIDTH (MM)		
	1150 - 2000	2001 - 3000	3001 - 4000
< 2000	£1,720.60	£1,943.65	£2,160.50
2001 - 3000	£1,849.35	£2,116.20	£2,377.05
3001 - 4000 ¹	£2,085.15	£2,422.65	£2,755.70
4001 - 5300 ¹	£2,238.35	£2,633.00	contact us
5301 - 6500 ¹	£2,383.15	£2,830.70*	not available

*max 16m²

¹ number of relieving rollers included

OPTIONS

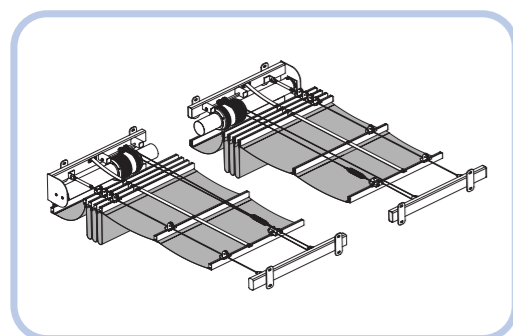
	EXTRA £/system
Radio controlled motor	£71.65
Specialised or blackout fabric	£71.00

Installation must be supervised by a trained installer to fulfil the product warranty.
See page 2 for details.

TESS™ 512

TESS 512™ INTERNAL AND EXTERNAL PERGOLA SYSTEM

Horizontal terrace and atrium shading



ORDER HERE

Standard screen fabric

SYSTEM DRAW (MM)	SYSTEM WIDTH (MM)			
	2000-3000	3001-4000	4001-5000	5001-6000
< 5000	£5,536.60	£7,090.15	£7,430.15	£7,770.15
5001-7000	£6,285.90	£8,113.35	£8,589.35	£9,064.35
7001-9000	£7,036.15	£9,136.50	£9,747.50	£10,359.50
9001-11000	£8,384.55	£10,851.55	£11,599.55	£12,346.55
11001-13000	£9,732.10	£12,367.50	£13,250.50	£14,133.50
13001-15000	£10,482.35	£13,389.65	£14,409.70	£15,428.70
15001-17000	£11,232.65	£14,412.85	£15,567.85	£16,722.85
17001-18000	£11,607.80	£14,924.45	£16,147.45	£17,370.45

PLEASE NOTE

- System prices include fabric panel and 1 intermediate hembar per meter.
- Price tables valid <= 2 systems
- For external applications, please add galvanizing costs of £162 per system
- For larger project pricing contact: sales@guthriedouglas.com

OPTIONS

Radio controlled motor

**EXTRA
£/system**

£118.00

Specialist or blackout fabric

SYSTEM DRAW (MM)	SYSTEM WIDTH (MM)			
	2000-3000	3001-4000	4001-5000	5001-6000
< 5000	£5,975.60	£7,677.15	£8,163.15	£8,649.15
5001-7000	£6,901.90	£8,934.35	£9,615.35	£10,296.35
7001-9000	£7,828.15	£10,191.50	£11,066.50	£11,942.50
9001-11000	£9,351.55	£12,141.55	£13,211.55	£14,281.55
11001-13000	£10,876.10	£13,891.15	£15,156.50	£16,420.50
13001-15000	£11,801.35	£15,148.70	£16,607.70	£18,066.70
15001-17000	£12,727.65	£16,406.85	£18,059.85	£19,713.85
17001-18000	£13,190.80	£17,035.45	£18,785.45	£20,356.45

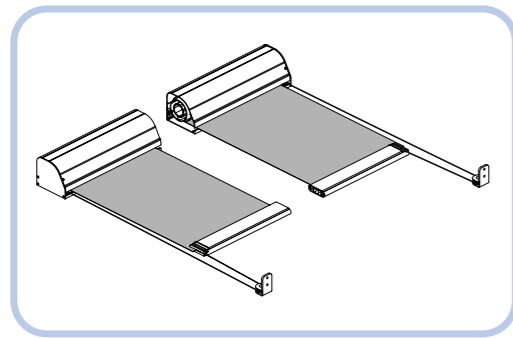
PLEASE NOTE

- System prices include fabric panel and 1 intermediate hembar per meter.
- Price tables valid <= 2 systems
- For external applications, please add galvanizing costs of £162 per system
- For larger project pricing contact: sales@guthriedouglas.com

Installation must be supervised by a trained installer to fulfil the product warranty.
See page 2 for details.

TESS™ 600/640/601/602

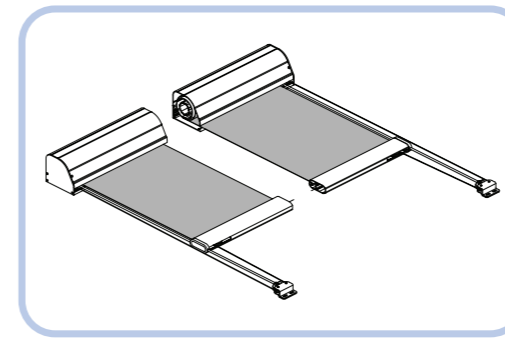
TESS™ 640 CABLE GUIDED COMPACT



[ORDER HERE](#)

SYSTEM DRAW (MM)	SYSTEM WIDTH (MM)		
	650-1000	1001-2000	2001-3000
< 1500	£1,286.85	£1,408.00	£1,552.35
1501 - 3000	£1,352.25	£1,527.10	£1,725.35

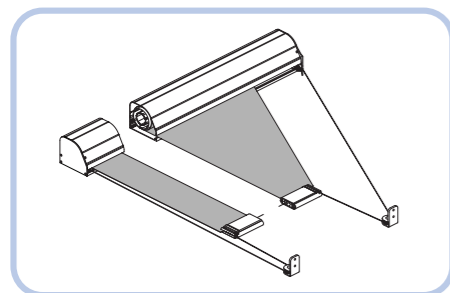
TESS™ 600 UN-GUIDED COMPACT



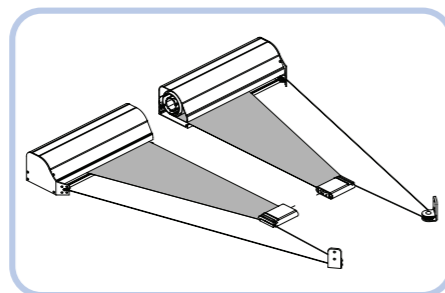
[ORDER HERE](#)

SYSTEM DRAW (MM)	SYSTEM WIDTH (MM)		
	650-1000	1001-2000	2001-3000
< 1500	£1,141.50	£1,257.50	£1,394.50
1501 - 3000	£1,191.50	£1,361.15	£1,551.90

TESS 601/602 TRIANGULAR / TRAPEZE COMPACT



[ORDER HERE](#)



SYSTEM DRAW (MM)	SYSTEM WIDTH (MM)		
	650-1000	1001-2000	2001-3000
< 1500	£1,346.55	£1,465.05	£1,604.55
1501 - 3000	£1,396.55	£1,568.70	£1,761.95

OPTIONS

	EXTRA £/system
Radio controlled motor	No surcharge
Specialised or blackout fabric	£71.00

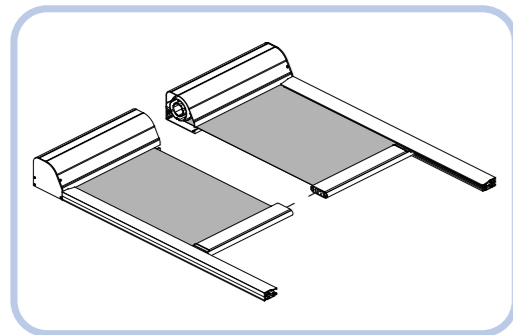
Installation must be supervised by a trained installer to fulfil the product warranty.
See page 2 for details.

Due to the complexities related to the design of bespoke TESS™601/602 systems, engineering support may be required (chargeable service). Please contact us for quotation if required.

TESS™ 660

TESS™ 660 BLACKOUT ZIP TENSION SYSTEM

Zero light gap tension screen



[ORDER HERE](#)

Single TESS™ 660 system with 1 headbox

SYSTEM DRAW (MM)	SYSTEM WIDTH (MM)		
	650-1000	1001-2000	2001-3000
<1500	£1,452.45	£1,573.55	£1,702.75
1501-3000	£1,563.70	£1,750.35	£1,929.00
3001-4500*	£1,674.95	£1,919.10	£2,155.20**

* larger headbox TESS™ 660L see datasheet

** horizontal installation: TESS™ 660L max. system width=2500mm

OPTIONS

	EXTRA £/system
Radio controlled motor	No surcharge
Specialised or blackout fabric	£71.00

Twin system with 2 headboxes (one at each end)

SYSTEM DRAW (MM)	SYSTEM WIDTH (MM)		
	650-1000	1001-2000	2001-3000
4501-6000	£2,535.00	£2,855.00	£3,251.50
6001-9000*	£2,766.05	£3,201.30	£3,731.20**

* larger headbox TESS™ 660L see datasheet

** horizontal installation: TESS™ 660L max. system width=2500mm

Installation must be supervised by a trained installer to fulfil the product warranty.
See page 2 for details.

SHY™ OBSCURA GRAVITY



ORDER HERE

SYSTEM DRAW (MM)	SYSTEM WIDTH (MM)																>4000
	500	750	1000	1250	1500	1750	2000	2250	2500	2750	3000	3250	3500	3750	4000		
1000	£65	£80	£95	£110	£126	£141	£156	£190	£207	£492	£522	£552	£574	£1,115	£1,184	Price available on request	
1500	£70	£88	£106	£124	£142	£160	£178	£215	£234	£521	£554	£587	£624	£1,159	£1,232		
2000	£75	£96	£116	£137	£158	£179	£199	£239	£261	£551	£587	£623	£662	£1,203	£1,281		
2500	£80	£104	£127	£151	£174	£197	£221	£264	£288	£581	£620	£658	£701	£1,247	£1,329		
3000	£85	£112	£138	£164	£190	£216	£243	£288	£316	£611	£652	£694	£739	£1,291	£1,377		
3500	£90	£119	£148	£177	£206	£235	£264	£312	£343	£641	£685	£729	£777	£1,335	£1,425		
4000	£107	£139	£171	£210	£244	£278	£313	£347	£381	£691	£739	£787	£839	£1,420	£1,473		
4500		Price available on request		£416	£467	£518	£569	£620	£671	£722	£772	£1,352	£1,408	£1,465	£1,521		
5000		Price available on request		£894	£954	£1,013	£1,078	£1,143	£1,202	£1,261	£1,327	£1,392	£1,451	£1,510	£1,569		
5500		Price available on request		£911	£973	£1,035	£1,103	£1,171	£1,233	£1,295	£1,363	£1,431	£1,493	£1,555	£1,617		
6000		Price available on request		£928	£993	£1,058	£1,129	£1,200	£1,264	£1,329	£1,400	£1,471	£1,536	£1,601	£1,665		
6500		Price available on request		£1,034	£1,102	£1,170	£1,244	£1,318	£1,385	£1,453	£1,527	£1,601	£1,668	£1,736	£1,804		
7000		Price available on request		£1,062	£1,128	£1,194	£1,270	£1,345	£1,416	£1,487	£1,563	£1,640	£1,710	£1,781	£1,852		

- 60mm tube - 4:1 sidewinder
- 80mm tube - Spring Assisted
- 110mm tube - SHY™ hard wired motor

PLEASE NOTE

- Guthrie Douglas will determine the appropriate hem bar relative to the system size
- All systems with SD ≥4m supplied with guide wires and 75mm hembar

60MM TUBE OPTIONS	EXTRA £/system
SHY™ hard wired	£47.00
Somfy W/T	£233.00
Somfy RTS	£300.00

80+110MM TUBE OPTIONS	EXTRA £/system
SHY™ hard wired	£47.00
Somfy W/T	£203.00
Somfy RTS	£274.00

110MM TUBE OPTIONS	EXTRA £/system
Somfy W/T	£182.00
Somfy RTS	£253.00

SHY™ SUNFACTA GRAVITY

Motorised standard SHY™ hardwired motor



ORDER HERE

SYSTEM DRAW (MM)	SYSTEM WIDTH (MM)															
	500	750	1000	1250	1500	1750	2000	2250	2500	2750	3000	3250	3500	3750	4000	>4000
1000	£136	£151	£167	£201	£236	£263	£289	£316	£522	£558	£593	£631	£670	£1,059	£1,141	Price available on request
1500	£141	£159	£177	£215	£252	£282	£311	£341	£550	£588	£625	£667	£708	£1,100	£1,187	
2000	£146	£167	£188	£228	£268	£301	£333	£365	£577	£618	£658	£702	£747	£1,142	£1,176	
2500	£152	£175	£199	£242	£285	£320	£355	£390	£604	£648	£691	£738	£785	£1,183	£1,218	
3000	£157	£183	£210	£255	£301	£339	£376	£414	£632	£678	£724	£774	£823	£1,224	£1,261	
3500	£162	£191	£220	£269	£317	£358	£398	£439	£659	£708	£757	£809	£862	£1,266	£1,304	
4000	Price available on request			£428	£480	£531	£583	£635	£686	£738	£789	£845	£900	£1,307	£1,346	
4500				£454	£510	£566	£622	£678	£734	£790	£846	£1,244	£1,315	£1,388	£1,429	
5000				£687	£761	£835	£909	£984	£1,058	£1,132	£1,205	£1,280	£1,354	£1,430	£1,473	
5500				£702	£778	£855	£932	£1,009	£1,086	£1,163	£1,239	£1,316	£1,393	£1,473	£1,517	
6000				£716	£796	£876	£955	£1,035	£1,115	£1,194	£1,273	£1,352	£1,432	£1,515	£1,561	
6500				£731	£813	£896	£978	£1,061	£1,143	£1,225	£1,307	£1,388	£1,472	£1,558	£1,605	
7000	Price available on request			£745	£831	£916	£1,001	£1,086	£1,172	£1,256	£1,341	£1,424	£1,511	£1,601	£1,649	

- 85mm headbox
- 110mm headbox
- 150mm headbox

PLEASE NOTE

- Guthrie Douglas will determine the appropriate hembar size relative to the system size
- All systems with 150mm headbox supplied with 75mm hembar
- All systems with 150mm headbox and SD ≥4m supplied with 75mm hembar and guide wires

85MM HEADBOX	EXTRA £/system
Somfy Sonesse W/T	£185.00
Somfy Sonesse RTS	£202.00
Somfy Sonesse 30 battery motor with charger	£211.00
Somfy Sonesse 40 battery motor with charger	£342.00

110MM HEADBOX	EXTRA £/system
Somfy WT	£182.00
Somfy RTS	£253.00

150MM HEADBOX	EXTRA £/system
Somfy W/T	£182.00
Somfy RTS	£253.00

SHY™ ZIP® GRAVITY 85

Chain operation



[ORDER HERE](#)

SYSTEM DRAW (MM)	SYSTEM WIDTH (MM)								
	500	750	1000	1250	1500	1750	2000	2250	2500
1000	£220	£255	£270	£310	£338	£367	£395	£435	£463
1500	£249	£287	£305	£348	£379	£410	£441	£484	£515
2000	£278	£319	£340	£385	£419	£453	£487	£532	£566
2400	£302	£344	£367	£415	£451	£487	£523	£571	

PLEASE NOTE

- Guthrie Douglas will determine the appropriate hem bar relative to the system size

MOTOR OPTIONS

SHY™ hard wired	£47.40
Somfy Sonesse W/T	£232.80
Somfy Sonesse RTS	£249.30
Somfy Sonesse 40 Battery with Charger	£386.25

**EXTRA
£/system**

£47.40
£232.80
£249.30
£386.25

SHY™ ZIP® GRAVITY 110

Chain operation



[ORDER HERE](#)

SYSTEM DRAW (MM)	SYSTEM WIDTH (MM)													
	500	750	1000	1250	1500	1750	2000	2250	2500	2750	3000	3250	>3250	
	CHAIN OPERATION										MOTORISED STD. SHY™ W/T (NO CHAIN AVAILABLE)			Price available on request
1000	Price available on request										£847	£891	£947	
1500											£901	£948	£1,007	
2000											£955	£1,005	£1,066	
2500	£411	£463	£479	£591	£635	£679	£724	£780	£824	£1,009	£1,061	£1,125		
3000	£440	£495	£514	£628	£675	£722	£769	£828	£875	£1,063	£1,118	£1,185		
3600	£475	£533	£556	£676	£723	£774	£824	£886	£937	£1,128	£1,186	£1,256		

PLEASE NOTE

- Guthrie Douglas will determine the appropriate hem bar relative to the system size

MOTOR OPTIONS	EXTRA £/system	
SHY™ hard wired	£47.00	See table
Somfy WT	£233.00	£182.00
Somfy RTS	£300.00	£253.00

SHY™ ZIP® GRAVITY 150

with motorised standard SHY™ hardwired motor



[ORDER HERE](#)

SYSTEM DRAW (MM)	SYSTEM WIDTH (MM)														
	750	1000	1250	1500	1750	2000	2250	2500	2750	3000	3250	3500	3750	4000	>4000mm
1000	Price available on request											£1,320	£1,378	£1,419	Price available on request
1500	Price available on request											£1,382	£1,443	£1,487	
2000	Price available on request											£1,444	£1,508	£1,553	
2500	Price available on request											£1,506	£1,573	£1,620	
3000	Price available on request											£1,569	£1,638	£1,687	
3500	Price available on request											£1,631	£1,703	£1,754	
4000	£831	£893	£971	£1,037	£1,102	£1,257	£1,346	£1,423	£1,501	£1,578	£1,667	£1,744	£1,821	£1,876	
4500	£856	£917	£995	£1,061	£1,126	£1,301	£1,395	£1,475	£1,555	£1,635	£1,727	£1,807	£1,887	£1,943	
5000	£880	£942	£1,019	£1,085	£1,151	£1,350	£1,445	£1,527	£1,610	£1,693	£1,788	£1,870	£1,953	£2,012	
5500	£905	£967	£1,044	£1,110	£1,176	£1,397	£1,495	£1,580	£1,666	£1,751	£1,849	£1,935	£2,020	£2,081	
6000	£930	£992	£1,069	£1,135	£1,201	£1,444	£1,545	£1,633	£1,722	£1,810	£1,910	£1,999	£2,087	£2,150	
6400	£950	£1,011	£1,089	£1,155	£1,220	£1,482	£1,584	£1,675	£1,766	£1,856	£1,959	£2,050	£2,140		

PLEASE NOTE

- All systems supplied with 75mm hem bar

MOTOR OPTIONS	EXTRA £/system
Somfy WT	£182.00
Somfy RTS	£253.00

SHY™ ZIP® OSCURA GRAVITY

with motorised standard SHY™ hardwired motor



[ORDER HERE](#)

SYSTEM DRAW (MM)	SYSTEM WIDTH (MM)														
	750	1000	1250	1500	1750	2000	2250	2500	2750	3000	3250	3500	3750	4000	>4000mm
1000	£275	£298	£320	£336	£352	£375	£397	£419	£571	£674	£777	£997	£1,030	£1,061	Price available on request
1500	£310	£333	£357	£376	£394	£420	£445	£470	£625	£713	£801	£1,061	£1,096	£1,129	
2000	£339	£367	£394	£416	£438	£466	£494	£521	£679	£752	£825	£1,125	£1,162	£1,197	
2400	£364	£394	£424	£448	£472	£502	£532	£603	£722	£783	£844	£1,172	£1,213	£1,249	
3000	£447	£475	£503	£533	£563	£599	£635	£670	£787	£830	£873	£1,247	£1,290	£1,329	
3600	£485	£516	£548	£581	£614	£654	£693	£732	£851	£877	£902	£1,322	£1,369	£1,410	
4000	£818	£874	£930	£987	£1,037	£1,087	£1,144	£1,200	£1,250	£1,300	£1,357	£1,413	£1,463	£1,507	
4500	£849	£908	£967	£1,026	£1,080	£1,133	£1,192	£1,251	£1,304	£1,357	£1,417	£1,476	£1,529	£1,575	
5000	£882	£944	£1,007	£1,069	£1,125	£1,180	£1,242	£1,304	£1,360	£1,416	£1,478	£1,539	£1,596	£1,644	
5500	£915	£980	£1,045	£1,110	£1,169	£1,227	£1,292	£1,356	£1,415	£1,474	£1,539	£1,603	£1,663	£1,713	
6000	£947	£1,015	£1,083	£1,151	£1,213	£1,274	£1,341	£1,408	£1,471	£1,533	£1,600	£1,667	£1,729	£1,781	
6400	£975	£1,045	£1,115	£1,185	£1,248	£1,312	£1,382	£1,452	£1,516	£1,580	£1,651	£1,723	£1,783		

PLEASE NOTE

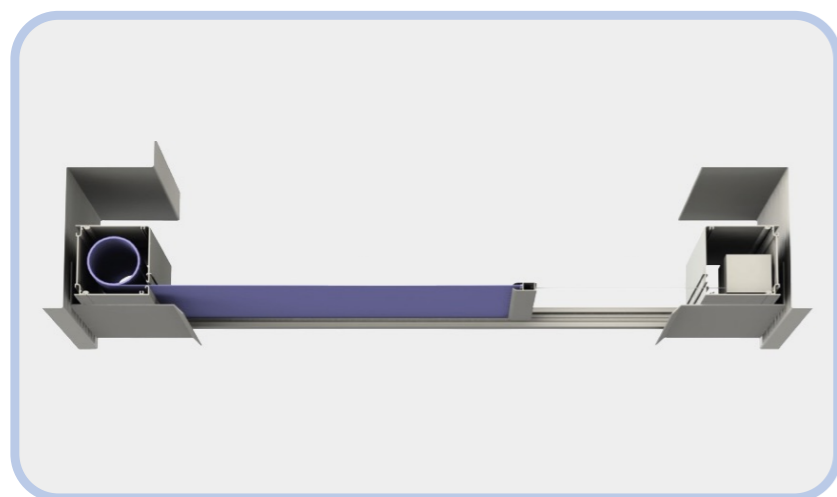
- Guthrie Douglas will determine the appropriate hem bar relative to the system size

60MM TUBE	EXTRA £/system
Somfy Sonesse W/T	£185.00
Somfy Sonesse RTS	£202.00
Somfy Sonesse 40 battery with charger	£342.00

80MM TUBE	EXTRA £/system
Somfy WT	£182.00
Somfy RTS	£253.00

SHY™ ZIP® CTS ROOFBLINDS

with motorised standard SHY™ hardwired motor



[ORDER HERE](#)

SYSTEM DRAW (MM)	SYSTEM WIDTH (MM)								
	500	750	1000	1250	1500	1750	2000	2250	<3000mm
1000	£783	£835	£887	£939	£991	£1,454	£1,536	£1,630	Please refer to TESS™660 price table
1500	£830	£885	£940	£994	£1,049	£1,514	£1,599	£1,696	
2000	£876	£934	£991	£1,049	£1,106	£1,574	£1,662	£1,762	
2485	£922	£982	£1,043	£1,102	£1,163	£1,633	£1,724	£1,826	
3000	£1,026	£1,111	£1,196	£1,281	£1,366	£1,696	£1,789	£1,894	
3720	£1,064	£1,174	£1,262	£1,350	£1,439	£1,772	£1,868	£1,976	

Headbox size	85/85	110/85	110/110
Hembar size	36mm	36mm	75mm

PLEASE NOTE

- All above systems supplied with 2 CTS (= constant tension spring units)

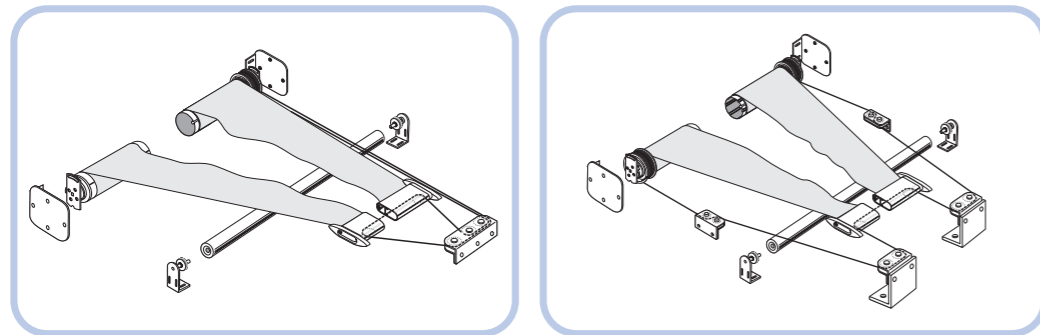
ZIP® 85/85	EXTRA £/system	ZIP® 110/85 & 110/110	EXTRA £/system	SHELF	EXTRA £/system
Somfy Sonesse W/T	£201.00	Somfy WT	£182.00	<1500mm system width	£103.00
Somfy Sonesse RTS	£218.00	Somfy RTS	£254.00	≥1500mm system width	£180.00
Somfy Oximo 40 - Battery 12vDC RTS with solar panel	£489.00				

OTHER SYSTEMS

The following systems are also available to meet your specific requirements.
For a quotation please contact our sales department

TESS™ 101 AND TESS™ 102

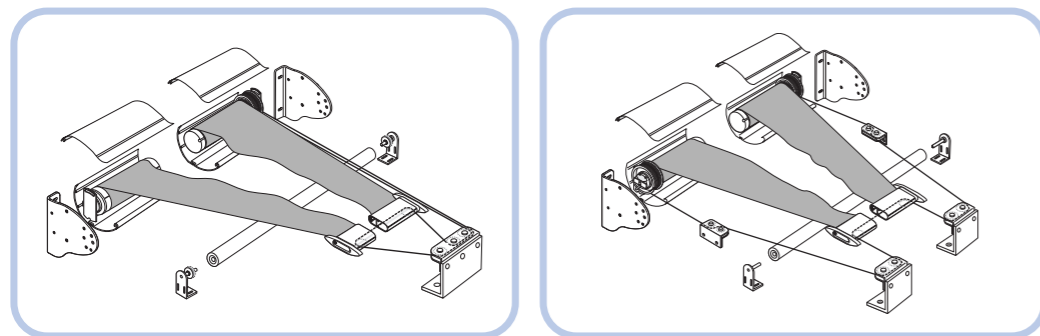
Internal triangles and trapezoids



- Up to 6500mm draw
- Up to 4000mm wide
- Up to 16m² of fabric

TESS™ 401 AND TESS™ 402

External triangles and trapezoids



- Up to 6500mm draw
- Up to 4000mm wide
- Up to 16m² of fabric

SPARE PARTS

Download our spare parts list online [here](#) and use our Guthrie Douglas order form to send your order through to us for quick and professional processing. Spare parts orders can be dispatched within 3 working days.



All orders are subject to our standard terms & conditions of sale available at www.guthriedouglas.com.

SPECIALIST SYSTEMS

- Guthrie Douglas are a long established manufacturer and supplier of FTS systems in the UK. FTS can achieve widths up to 6 m, a draw up to 20 m - with a max. fabric area of 50sqm. The FTS system can be supplied as both a glare and zip blackout system
- Guthrie Douglas can also provide a wide range of shaped, upward pulling systems using CTS technology. These systems are particularly suited to gable end windows for internal applications
- Using engineering expertise, TESS™ systems can also be designed for custom solutions; from specialist brackets through to bespoke system sizes; please contact the sales team for assessment and feasibility study

Installation must be supervised by a trained installer to fulfil the product warranty.
See page 2 for details.



VISIT US:

www.guthriedouglas.com

EMAIL US:

sales@guthriedouglas.com

TALK TO US:

+44 (0)1926 310 850

Guthrie Douglas

A DRAPER GROUP COMPANY